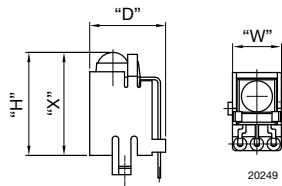
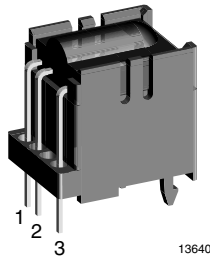


Top View Holder:

D = 16.65 mm, H = 16.4 mm, W = 12.5 mm, X = 16.4 mm


FEATURES

- Material categorization: for definitions of compliance please see www.vishay.com/doc?99912

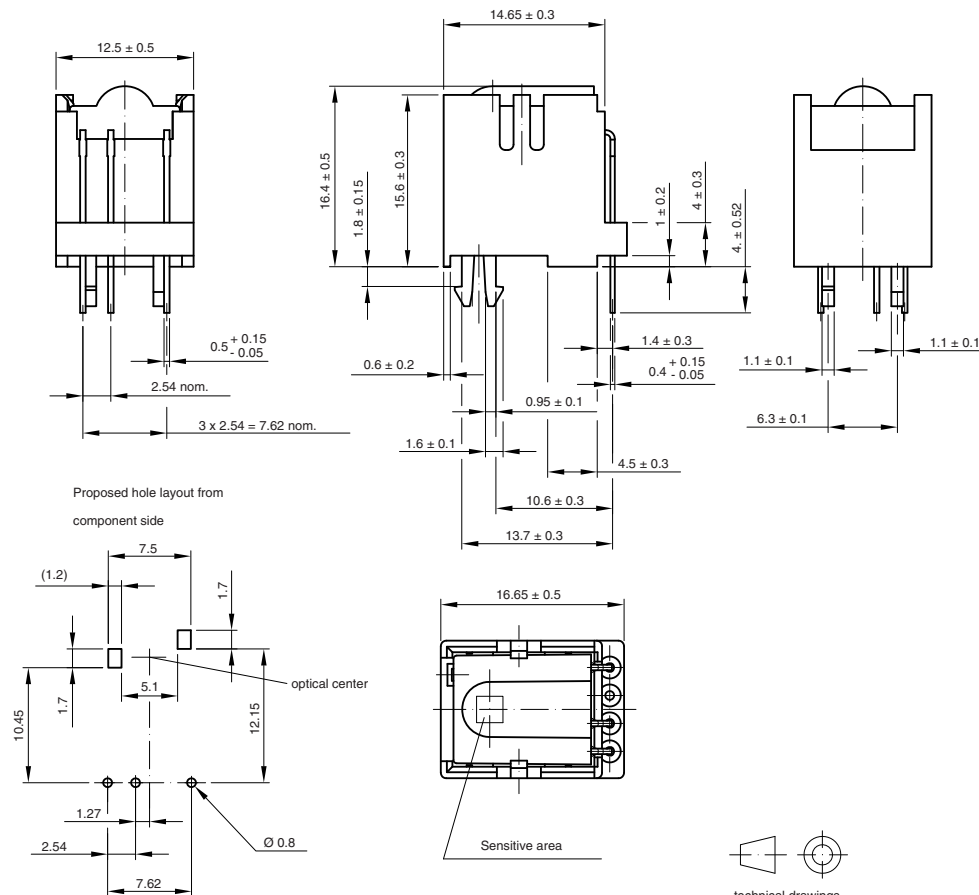
AVAILABLE FOR

- Cast



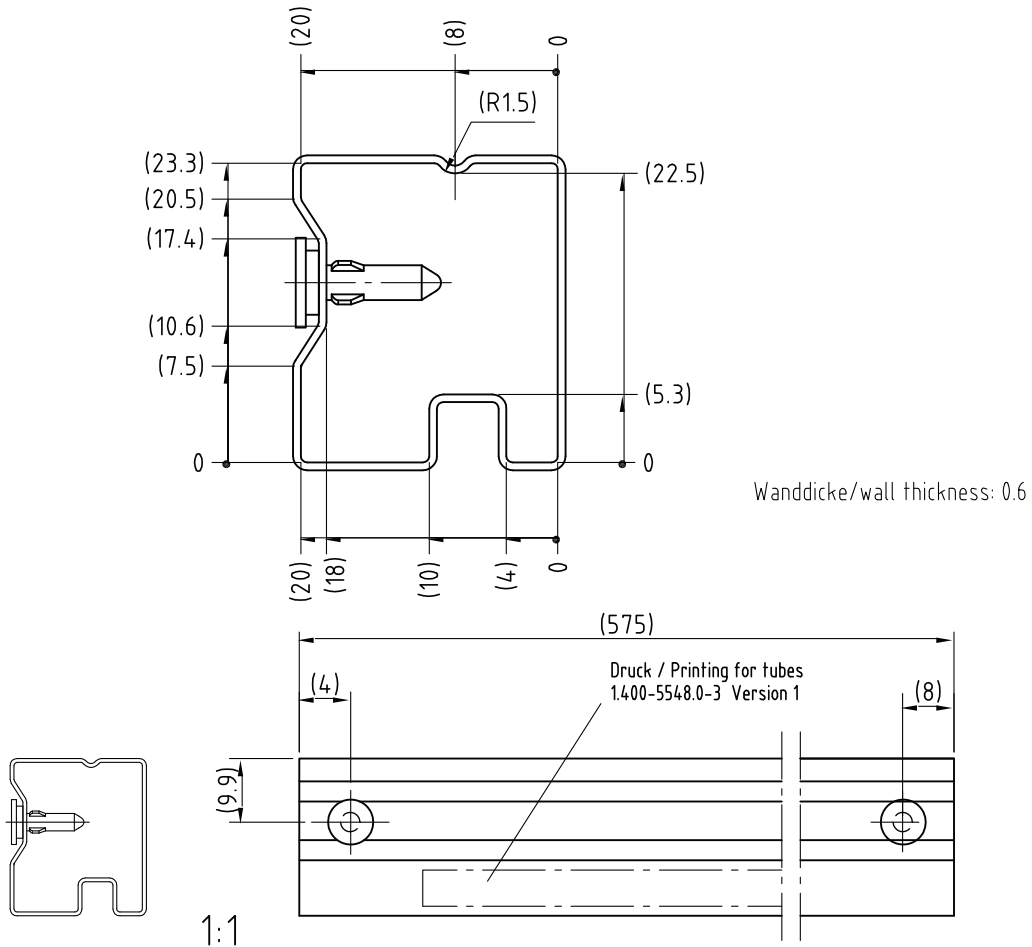
RoHS
COMPLIANT
HALOGEN
FREE
GREEN
(5-2008)

NAME	LENS AXIS (X)	VIEW	TYPE	HEIGHT (H)	WIDTH (W)	DEPTH (D)
RF1	16.4	Top	Holder	16.4	12.5	16.65

MECHANICAL DIMENSIONS in millimeters


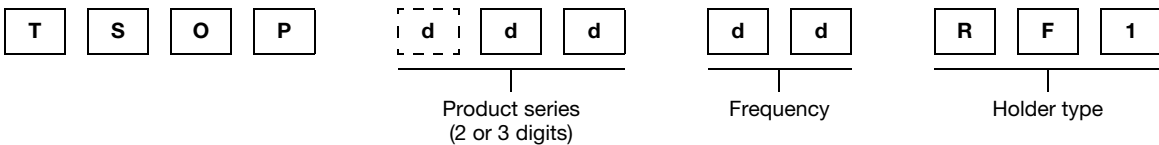
Drawing-No.: 6.550-5156.01-4
Issue: 4; 04.08.09
12760

PACKAGING DIMENSIONS in millimeters



Drawing-No.: 9.700-5191.0-4
Rev. 6; Date: 20.11.03
20314-1

ORDERING INFORMATION



Note

- d = "digit", please consult the list of available series on the previous page to create a valid part number

Example: TSOP31238RF1

PACKING QUANTITY

- 42 pieces per tube
- 18 tubes per carton

Vishay offers plastic and metal holder which have different characteristics:

- Plastic Pros: nearly invisible behind the bezel
- Plastic Cons: cannot be reflow soldered, wave soldering deforms the hooks (visual issue only, the part is secured by the leads after soldering)
- Metal Pros: may be reflow and wave soldered, improves EMI and RF rejection
- Metal Cons: appears shiny behind the bezel, will oxidize over time (visual issue only, the holder functionality is not impaired)