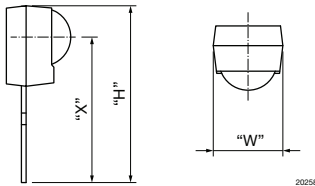
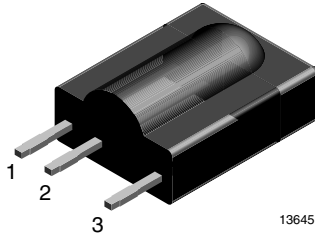


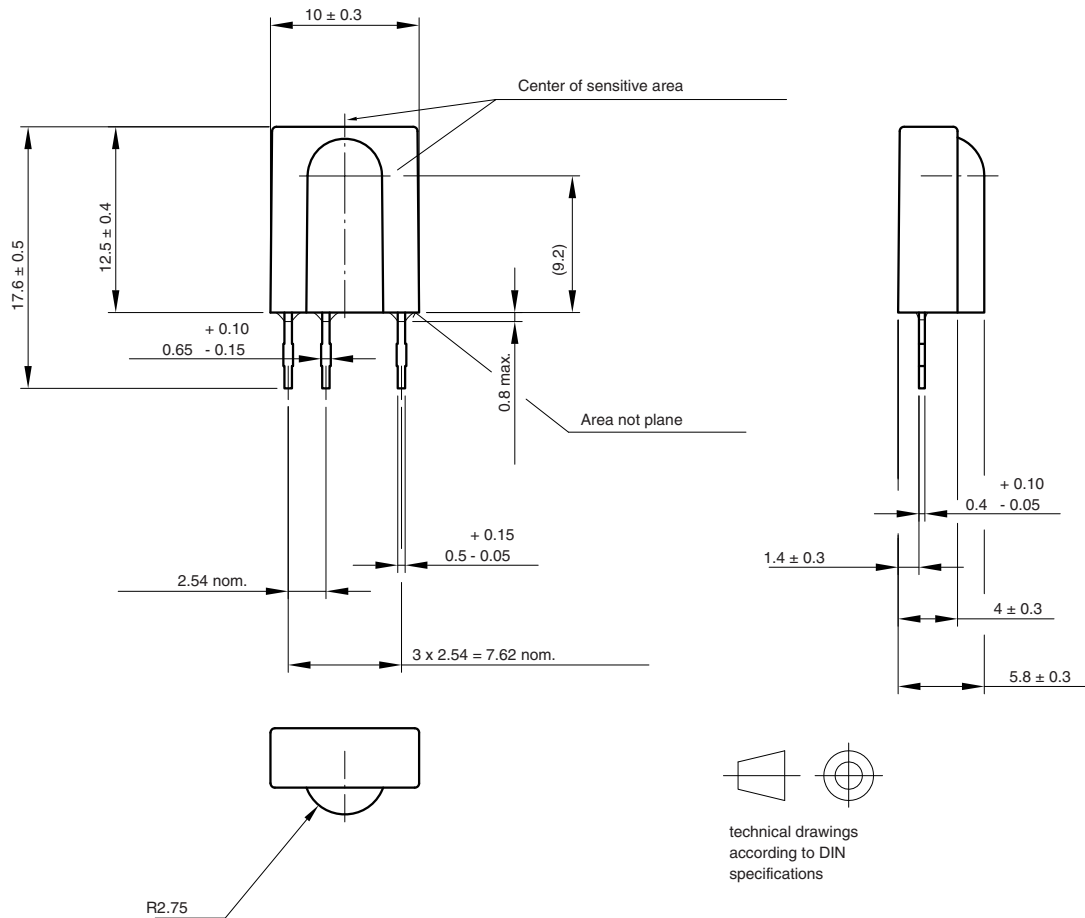
Cut Leads: H = 17.6 mm, W = 10 mm, X = 14.3 mm

AVAILABLE FOR

- Cast

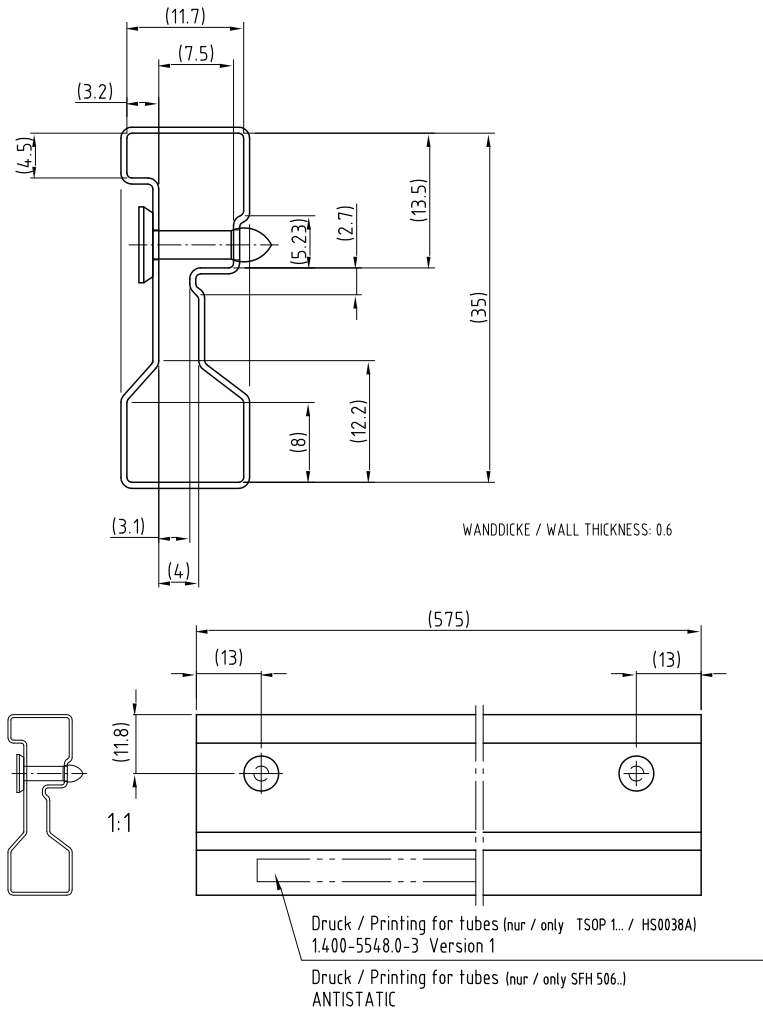


NAME	LENS AXIS (X)	VIEW	TYPE	HEIGHT (H)	WIDTH (W)	DEPTH (D)
SD1	14.3	-	Cut	17.6	10	-

MECHANICAL DIMENSIONS in millimeters


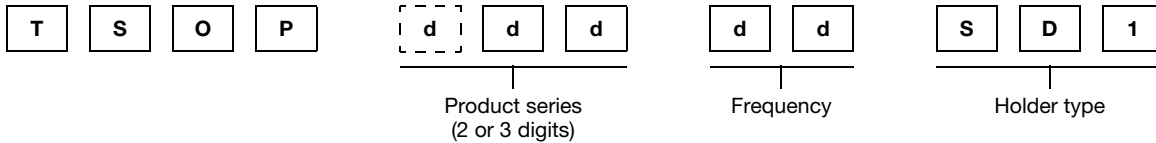
Drawing-No.: 6.550-5095.03-4
Issue: 11; 04.08.09
12837

PACKAGING DIMENSIONS in millimeters



Drawing-No.: 9.700-5131.0-4
 Rev. 10; Date: 20.11.03
 20306-1

ORDERING INFORMATION



Note

- d = "digit", please consult the list of available series on the previous page to create a valid part number

Example: TSOP31238SD1

PACKING QUANTITY

- 54 pieces per tube
- 20 tubes per carton