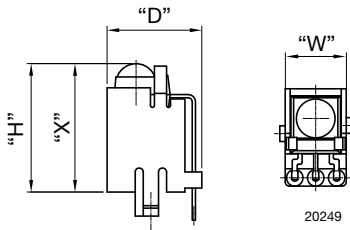


Top View Holder: D = 9.65 mm, H = 6.8 mm, W = 6.8 mm, X = 6.8 mm



19328



20249

FEATURES

- Material categorization: for definitions of compliance please see www.vishay.com/doc?99912

AVAILABLE FOR

- Mold



RoHS
COMPLIANT
HALOGEN
FREE
GREEN
(5-2008)

LINKS TO ADDITIONAL RESOURCES


[Product Page](#)

[3D Models](#)

[Calculators](#)

[Marking](#)

[Packages](#)

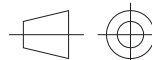
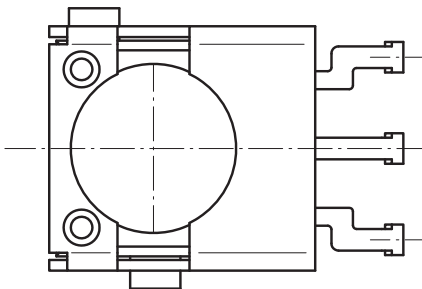
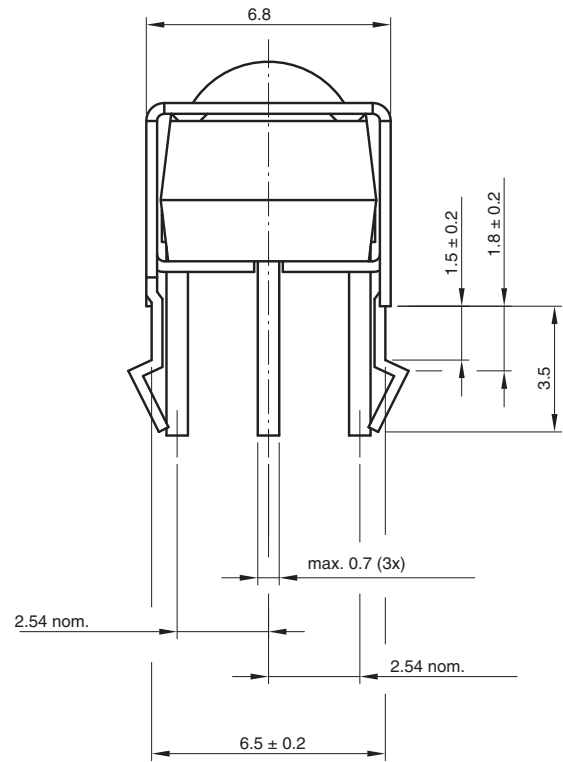
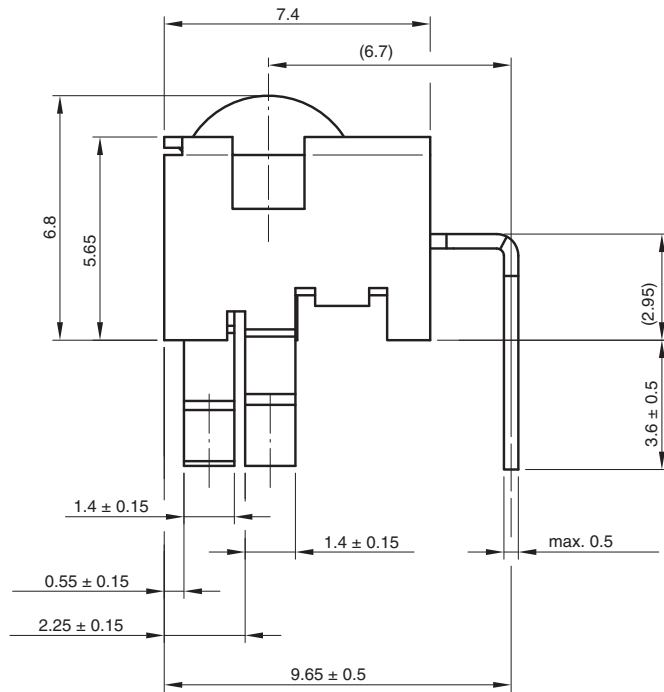
[Holders](#)

[Bends and Cuts](#)

NAME	LENS AXIS (X)	VIEW	TYPE	HEIGHT (H)	WIDTH (W)	DEPTH (D)
CZ1	6.8	Top	Holder	6.8	6.8	9.65



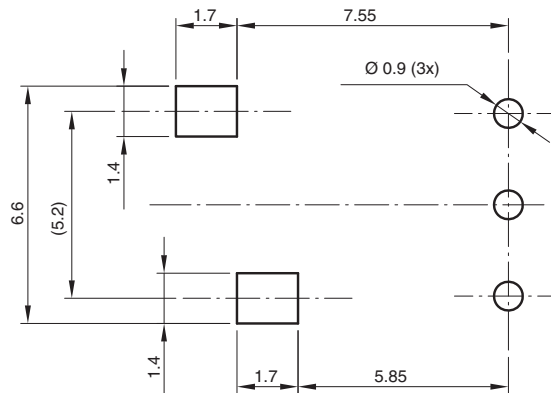
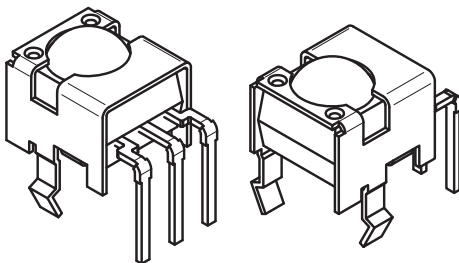
MECHANICAL DIMENSIONS in millimeters



technical drawings according to DIN specifications

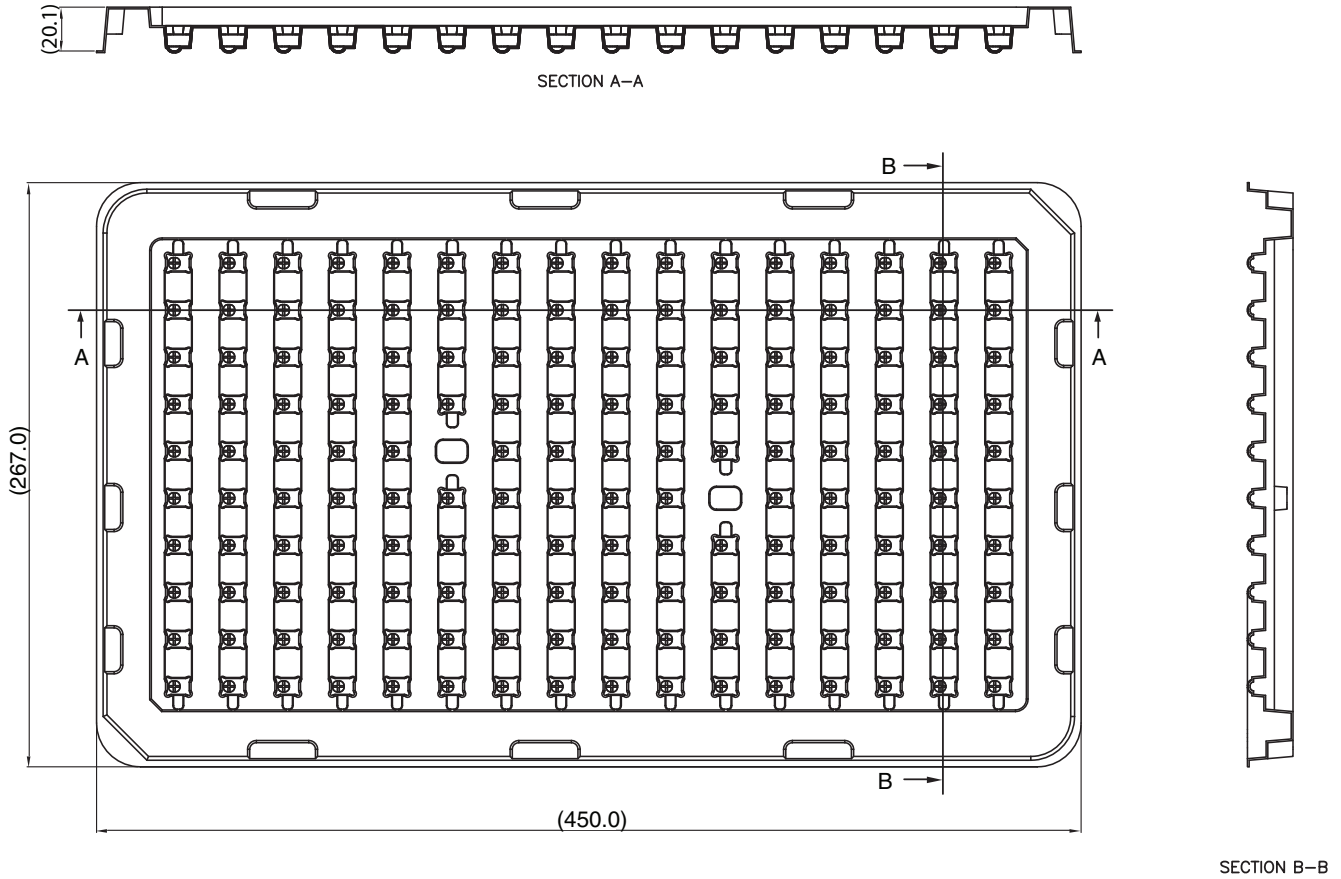
Proposed hole layout from component side (for reference only)

Not indicated tolerances ± 0.3



Drawing-No.: 6.550-5267.01-4
Issue: 2; 05.02.09
19327

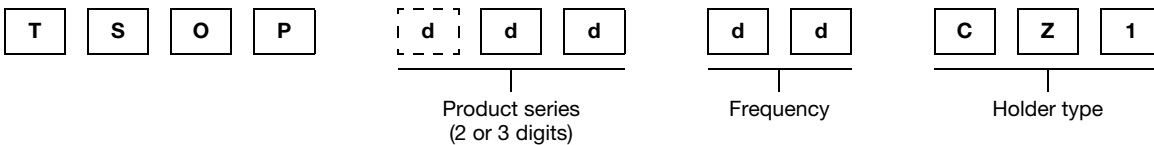
PACKAGING DIMENSIONS in millimeters



Drawing-No.: 9.800-5089.0-2
 Rev. 1; Date: 10.09.04

20354

ORDERING INFORMATION



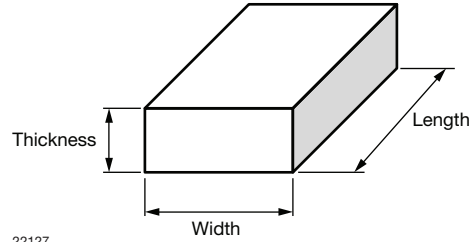
Note

- d = "digit", please consult the list of available series on the previous page to create a valid part number

Example: TSOP14238CZ1

PACKING QUANTITY

- 158 pieces per tray
- 7 trays per carton

OUTER PACKAGING
CARTON BOX DIMENSIONS in millimeters


KINDS OF CARTON BOX	THICKNESS	WIDTH	LENGTH
Packaging plastic tubes (normal / auxiliary devices)	80	150	600
Packaging plastic trays (devices with metal holders)	120	290	490
Tape and reel box (taping in reels)	400	310	410
Ammo-box (zigzag taping)	50	130	350

Vishay offers plastic and metal holder which have different characteristics:

- *Plastic Pros: nearly invisible behind the bezel*
- *Plastic Cons: cannot be reflow soldered, wave soldering deforms the hooks (visual issue only, the part is secured by the leads after soldering)*
- *Metal Pros: may be reflow and wave soldered, improves EMI and RF rejection*
- *Metal Cons: appears shiny behind the bezel, will oxidize over time (visual issue only, the holder functionality is not impaired)*