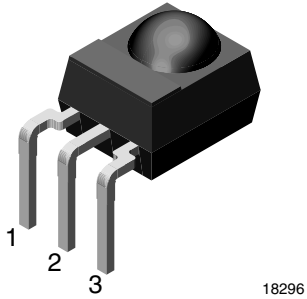
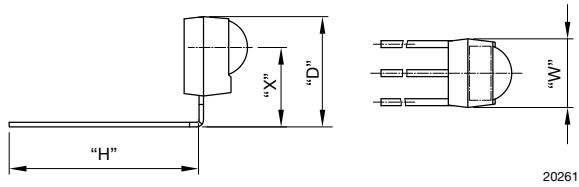


Bent Leads:
D = 9.65 mm, H = 5 mm, W = 6 mm, X = 6.95 mm


AVAILABLE FOR

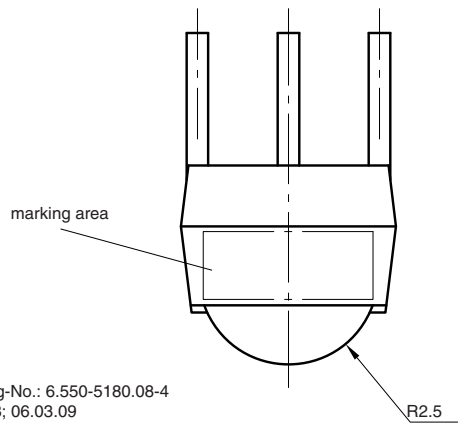
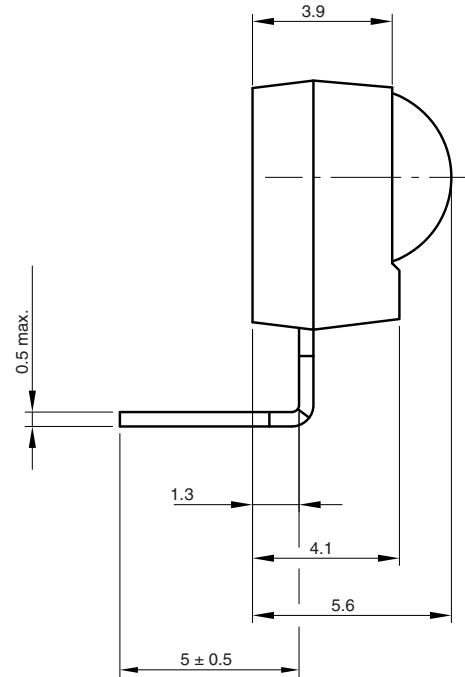
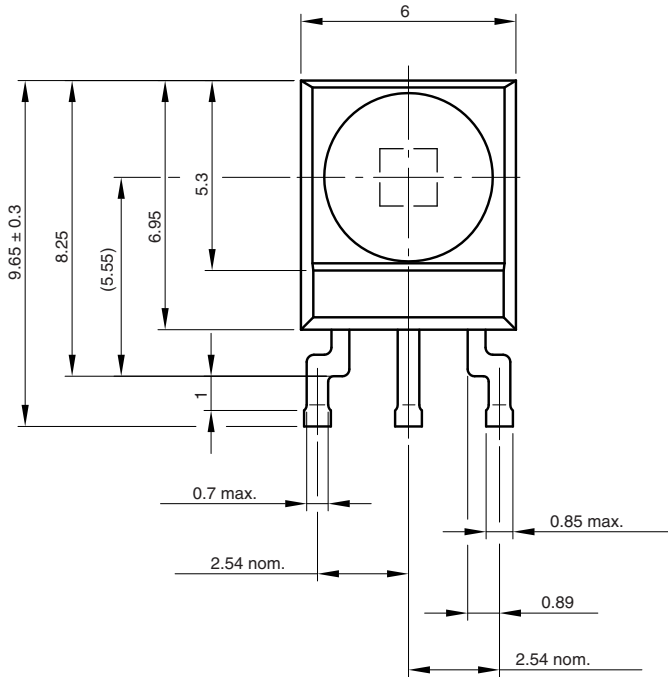
- Mold


LINKS TO ADDITIONAL RESOURCES

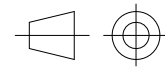

NAME	LENS AXIS (X)	VIEW	TYPE	HEIGHT (H)	WIDTH (W)	DEPTH (D)
ST1	6.95	-	Bend	5	6	9.65



MECHANICAL DIMENSIONS in millimeters



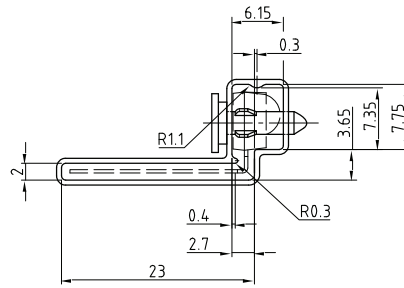
Not indicated tolerances ± 0.2



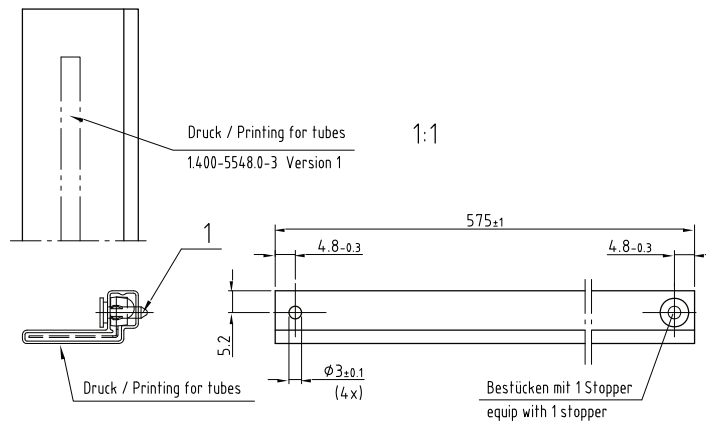
technical drawings according to DIN specifications

Drawing-No.: 6.550-5180.08-4
Issue: 3; 06.03.09
16793

PACKAGING DIMENSIONS in millimeters

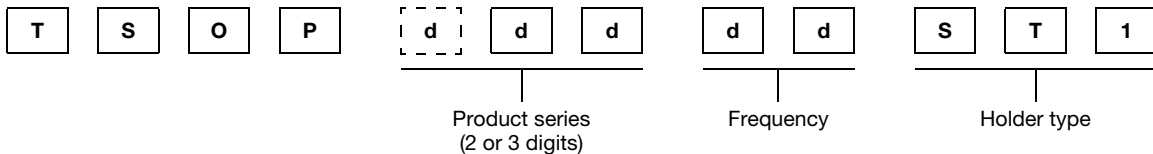


Wanddicke/wall thickness: 0.6^{+0.02}_{-0.01}
 Geradheit/Straightness 2
 Schnittwinkel/cut 90° ±r
 Innenradien/inner radii max 0.5
 Geprüft nach/approved to: LV 5145



Drawing-No.: 9.700-5206.0-4
 Rev. 13; Date: 09.06.06
 20251

ORDERING INFORMATION



Note

- d = "digit", please consult the list of available series on the previous page to create a valid part number

Example: TSOP14538ST1

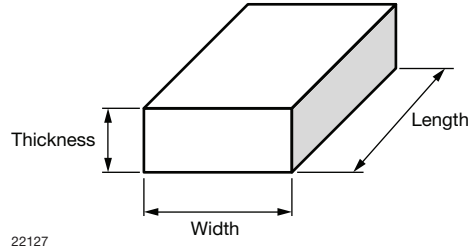
PACKAGING QUANTITY

- 90 pieces per tube
- 30 tubes per carton



OUTER PACKAGING

CARTON BOX DIMENSIONS in millimeters



KINDS OF CARTON BOX	THICKNESS	WIDTH	LENGTH
Packaging plastic tubes (normal / auxiliary devices)	80	150	600
Packaging plastic trays (devices with metal holders)	120	290	490
Tape and reel box (taping in reels)	400	310	410
Ammo-box (zigzag taping)	50	130	350