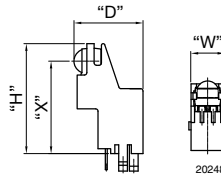
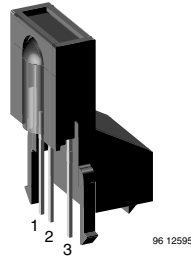


IR Receiver Modules for Remote Control Systems


FEATURES

- Compliant to RoHS Directive 2002/95/EC and in accordance to WEEE 2002/96/EC

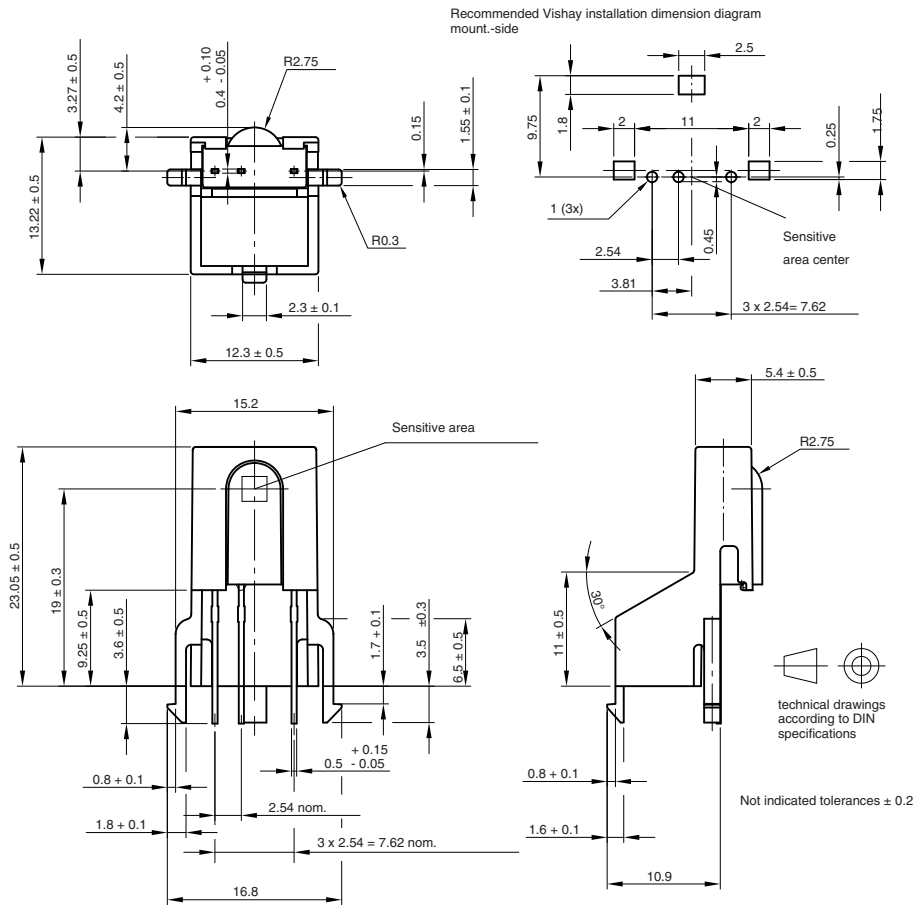

AVAILABLE FOR:

- TSOP31...
- TSOP1...



RoHS
COMPLIANT
GREEN
[5-2008]**

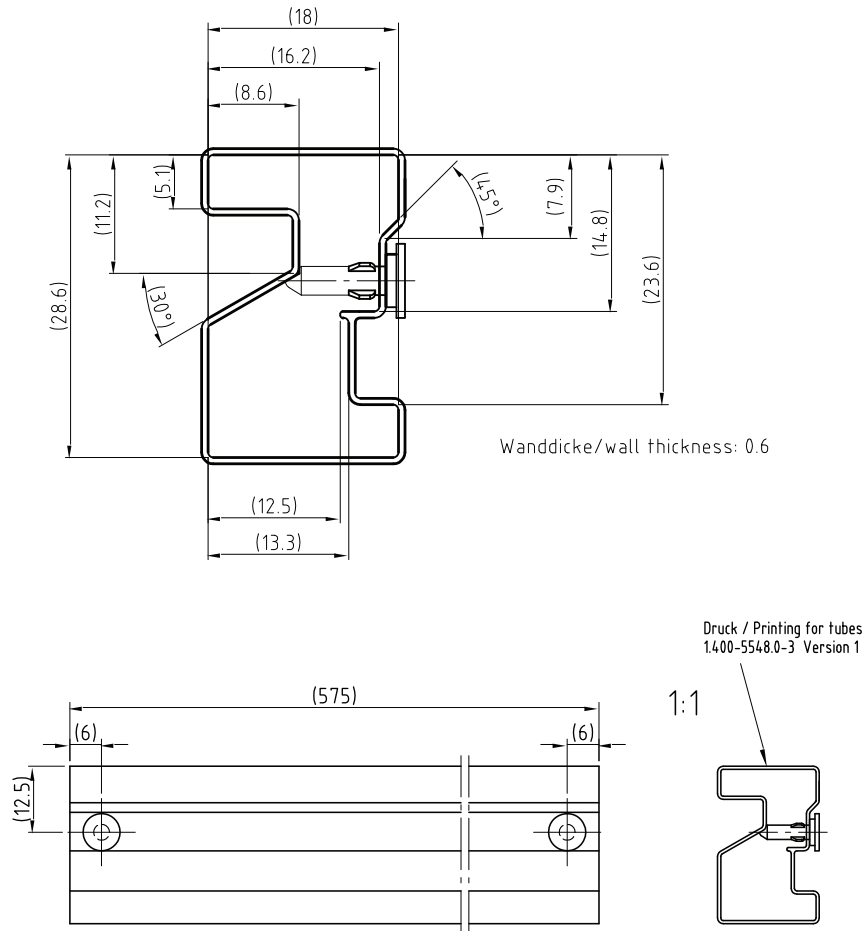
| NAME | LENS AXIS (X) | VIEW | TYPE | HEIGHT (H) | WIDTH (W) | DEPTH (D) |
|------|---------------|------|--------|------------|-----------|-----------|
| XG1 | 19 | Side | Holder | 23.05 | 15.2 | 14.15 |

MECHANICAL DIMENSIONS in millimeters


Drawing-No.: 6.550-5134.01-4
Issue: 6; 04.08.09
9612224

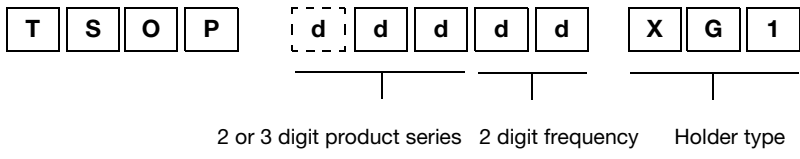
** Please see document "Vishay Material Category Policy": www.vishay.com/doc?99902

PACKAGING DIMENSIONS in millimeters



Drawing-No.: 9.700-5164.0-4
Rev. 5; Date: 20.11.03
20310-1

ORDERING INFORMATION



Note
d = "digit", please consult the list of available series on the previous page to create a valid part number.

Example: TSOP31238XG1

PACKING QUANTITY

- 34 pieces per tube
- 12 tubes per carton