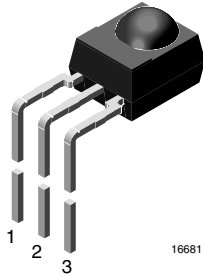
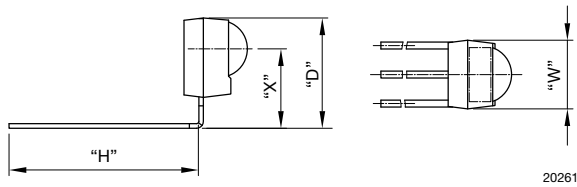


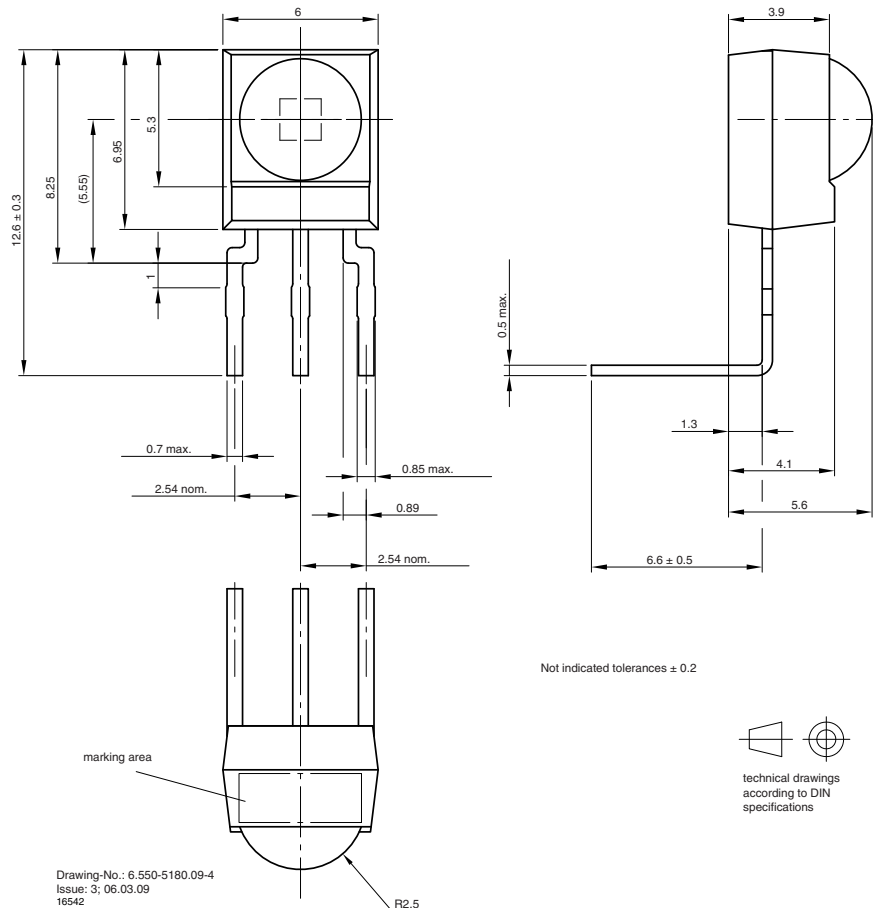
# IR Receiver Modules for Remote Control Systems


**AVAILABLE FOR:**

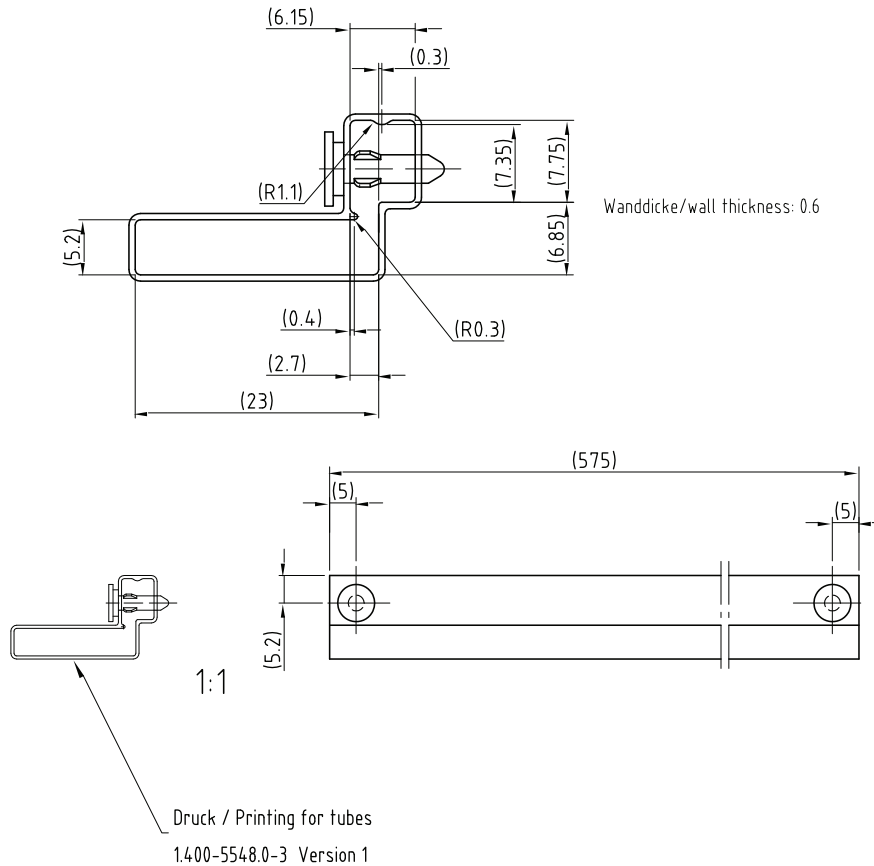
- TSOP34...
- TSOP4....
- TSOP32...
- TSOP2....



NAME	LENS AXIS (X)	VIEW	TYPE	HEIGHT (H)	WIDTH (W)	DEPTH (D)
SL1	9.9		Bend	6.6	6	12.6

**MECHANICAL DIMENSIONS** in millimeters


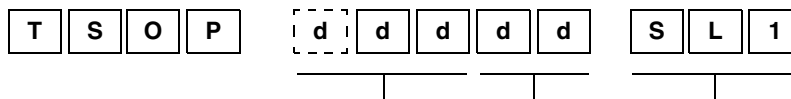
**PACKAGING DIMENSIONS** in millimeters



Drawing-No.: 9.700-5213.0-4  
Rev. 6; Date: 20.11.03

20262-1

**ORDERING INFORMATION**



2 or 3 digit product series    2 digit frequency    Holder type

**Note**

d = "digit", please consult the list of available series on the previous page to create a valid part number.

**Example: TSOP14838SL1**

**PACKING QUANTITY**

- 90 pieces per tube
- 24 tubes per carton