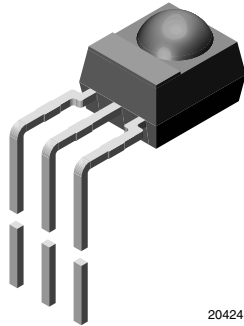


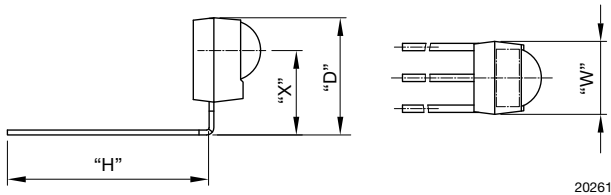
Bent Leads:
D = 12.6 mm, H = 15.45 mm, W = 6 mm, X = 9.9 mm



20424

AVAILABLE FOR

- Mold



20261

LINKS TO ADDITIONAL RESOURCES

[Product Page](#)

[3D Models](#)

[Calculators](#)

[Marking](#)

[Packages](#)

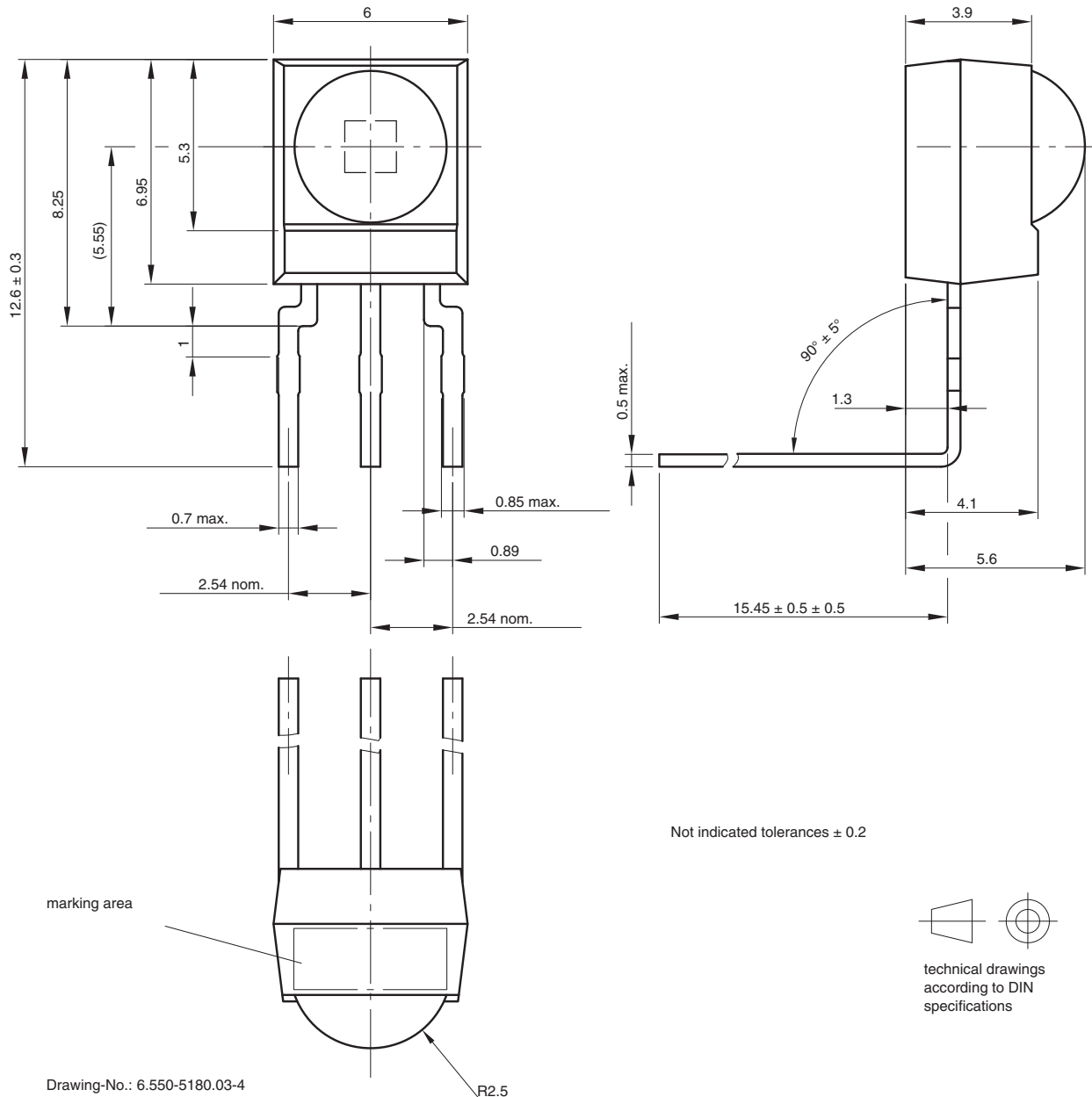
[Holders](#)

[Bends and Cuts](#)

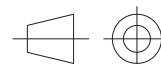
NAME	LENS AXIS (X)	VIEW	TYPE	HEIGHT (H)	WIDTH (W)	DEPTH (D)
SC1	9.9	-	Bend	15.45	6	12.6



MECHANICAL DIMENSIONS in millimeters



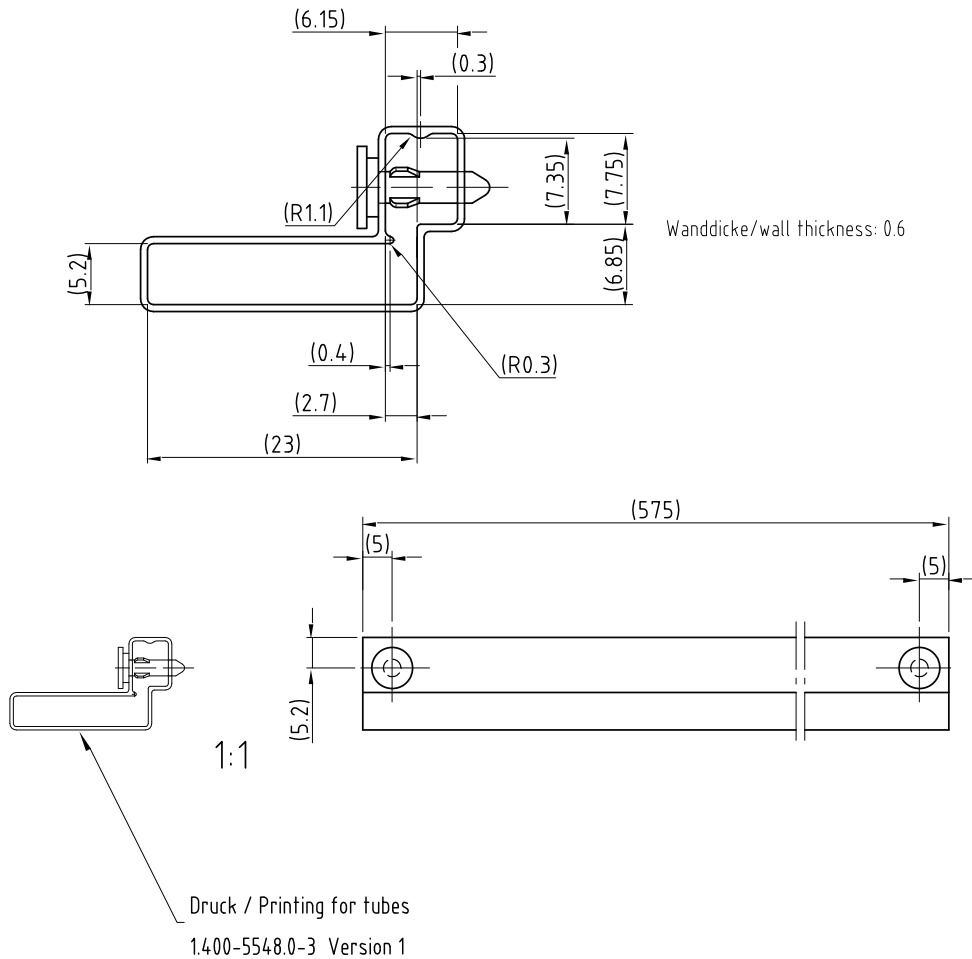
Not indicated tolerances ± 0.2



technical drawings according to DIN specifications

Drawing-No.: 6.550-5180.03-4
Issue: 2; 06.03.09
20365

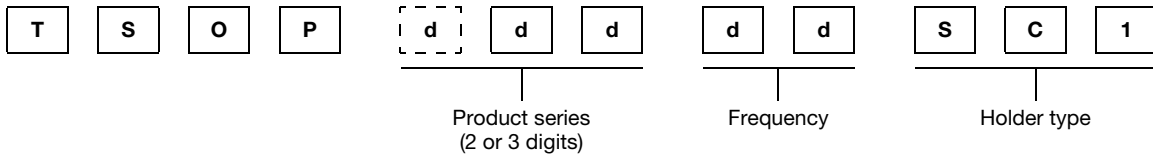
PACKAGING DIMENSIONS in millimeters



Drawing-No.: 9.700-5213.0-4
Rev. 6; Date: 20.11.03

20262-1

ORDERING INFORMATION



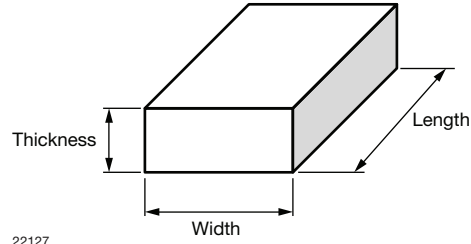
Note

- d = "digit", please consult the list of available series on the previous page to create a valid part number

Example: TSOP14438SC1

PACKAGING QUANTITY

- 90 pieces per tube
- 24 tubes per carton

OUTER PACKAGING
CARTON BOX DIMENSIONS in millimeters


KINDS OF CARTON BOX	THICKNESS	WIDTH	LENGTH
Packaging plastic tubes (normal / auxiliary devices)	80	150	600
Packaging plastic trays (devices with metal holders)	120	290	490
Tape and reel box (taping in reels)	400	310	410
Ammo-box (zigzag taping)	50	130	350