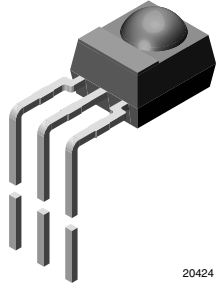


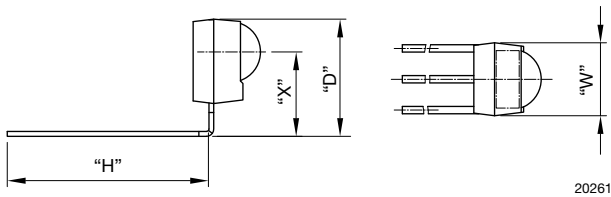
IR Receiver Modules for Remote Control Systems



20424

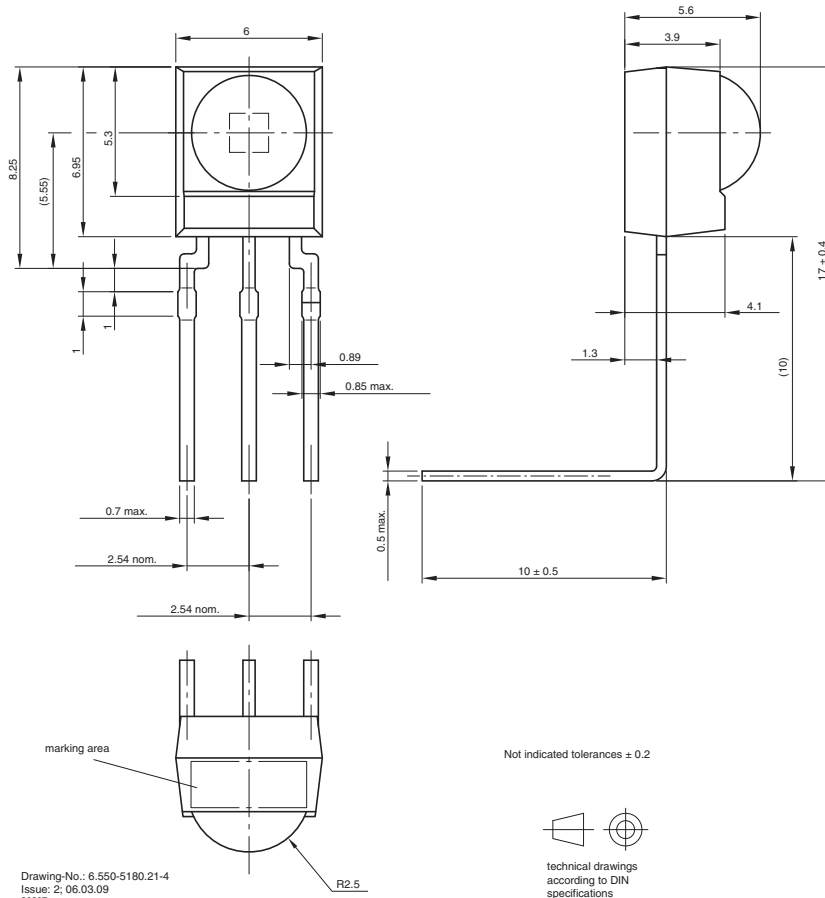
AVAILABLE FOR:

- TSOP34...
- TSOP4....
- TSOP32...
- TSOP2....

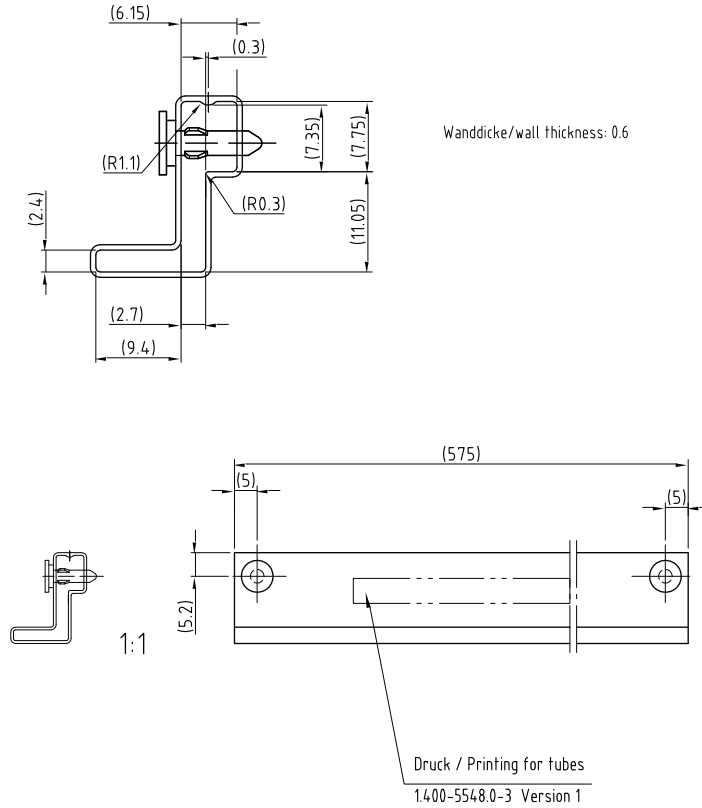


20261

NAME	LENS AXIS (X)	VIEW	TYPE	HEIGHT (H)	WIDTH (W)	DEPTH (D)
SR1	14.3		Bend	10	6	17

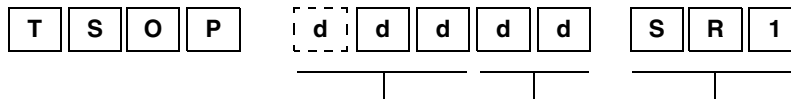
MECHANICAL DIMENSIONS in millimeters


PACKAGING DIMENSIONS in millimeters



Drawing-No.: 9.700-5277.0-4
 Rev. 2; Date: 20.11.03
 20318-1

ORDERING INFORMATION



2 or 3 digit product series 2 digit frequency Holder type

Note

d = "digit", please consult the list of available series on the previous page to create a valid part number.

Example: TSOP14838SR1

PACKING QUANTITY

- 90 pieces per tube
- 38 tubes per carton