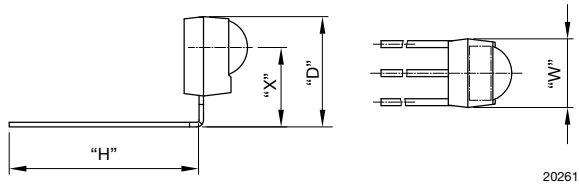
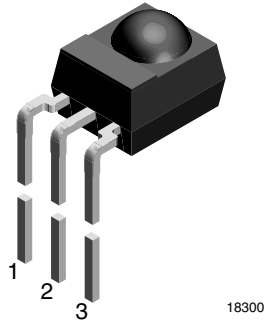


**Bent Leads:**  
**D = 9.65 mm, H = 7 mm, W = 6 mm, X = 6.95 mm**

**AVAILABLE FOR**

- Mold

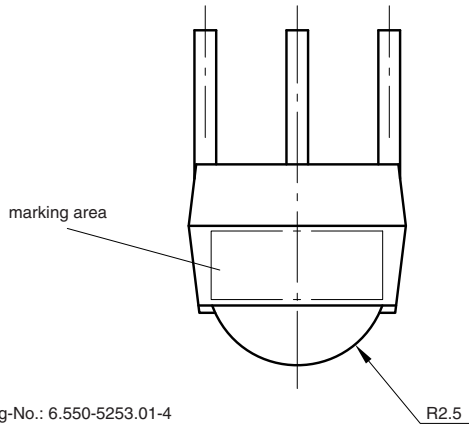
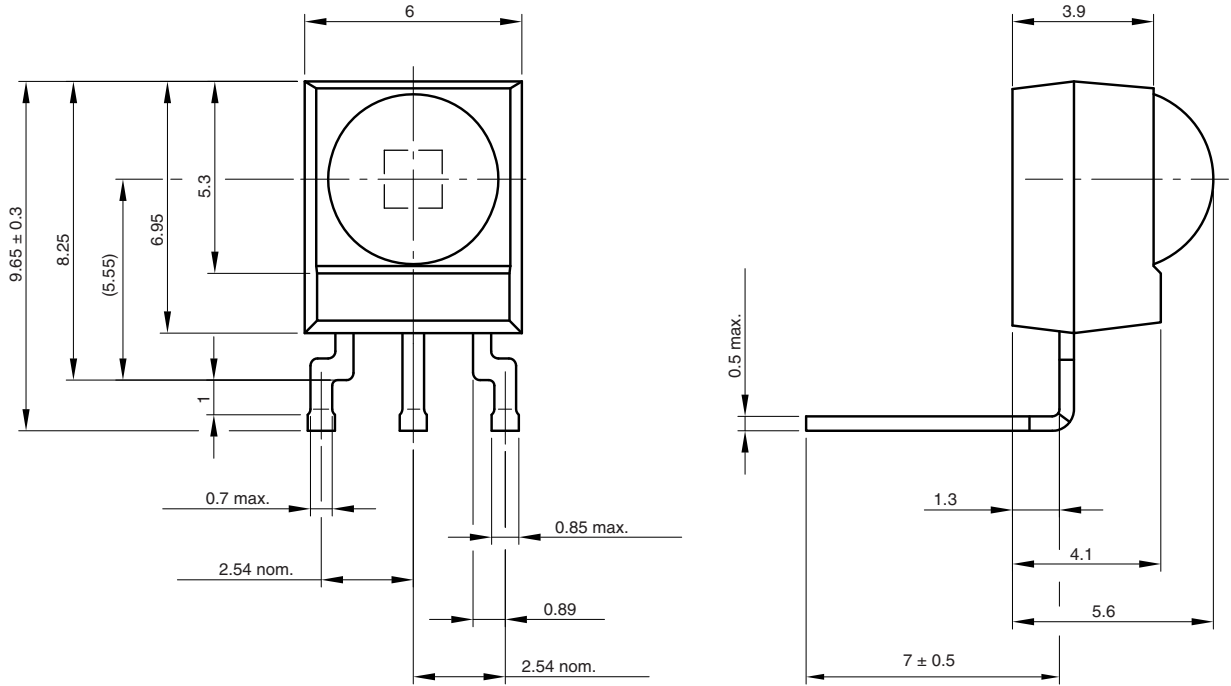


**LINKS TO ADDITIONAL RESOURCES**

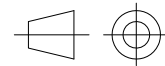


NAME	LENS AXIS (X)	VIEW	TYPE	HEIGHT (H)	WIDTH (W)	DEPTH (D)
SW1	6.95	-	Bend	7	6	9.65

**MECHANICAL DIMENSIONS** in millimeters



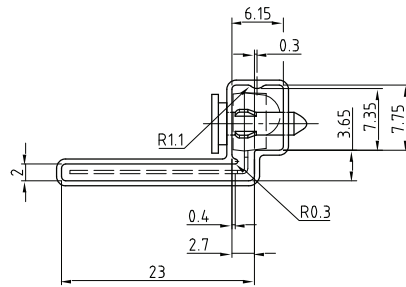
Not indicated tolerances  $\pm 0.2$



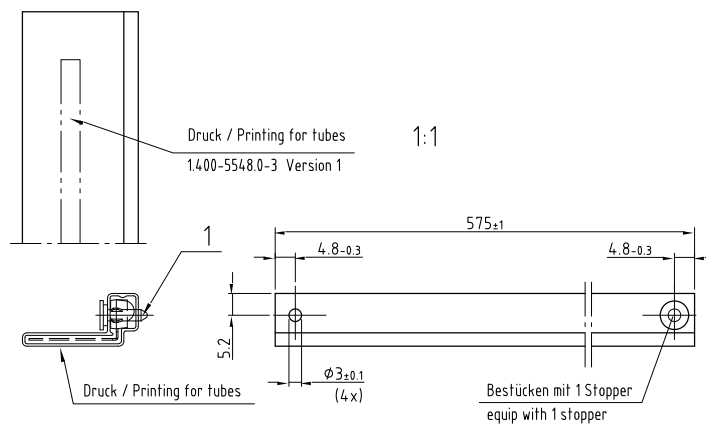
technical drawings according to DIN specifications

Drawing-No.: 6.550-5253.01-4  
Issue: 2; 06.03.09  
20371

**PACKAGING DIMENSIONS** in millimeters

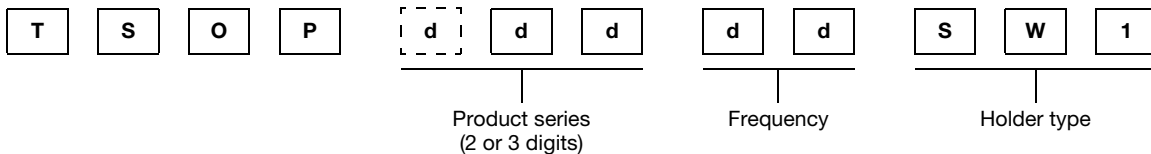


Wanddicke/wall thickness:  $0.6 \begin{smallmatrix} +0.02 \\ -0.01 \end{smallmatrix}$   
 Geradheit/Straightness 2  
 Schnittwinkel/cut 90° ±1°  
 Innenradien/inner radii max 0.5  
 Geprüft nach/approved to: LV 5145



Drawing-No.: 9.700-5206.0-4  
 Rev. 13; Date: 09.06.06  
 20251

**ORDERING INFORMATION**



**Note**

- d = "digit", please consult the list of available series on the previous page to create a valid part number

**Example: TSOP14438SW1**

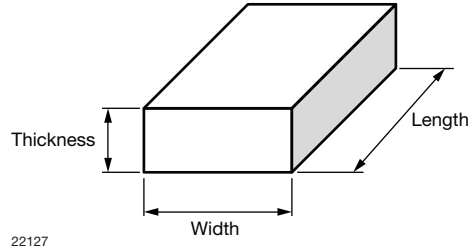
**PACKAGING QUANTITY**

- 90 pieces per tube
- 30 tubes per carton



**OUTER PACKAGING**

**CARTON BOX DIMENSIONS** in millimeters



KINDS OF CARTON BOX	THICKNESS	WIDTH	LENGTH
Packaging plastic tubes (normal / auxiliary devices)	80	150	600
Packaging plastic trays (devices with metal holders)	120	290	490
Tape and reel box (taping in reels)	400	310	410
Ammo-box (zigzag taping)	50	130	350