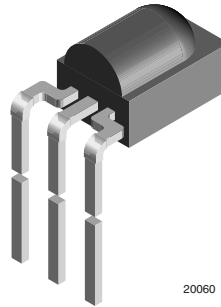


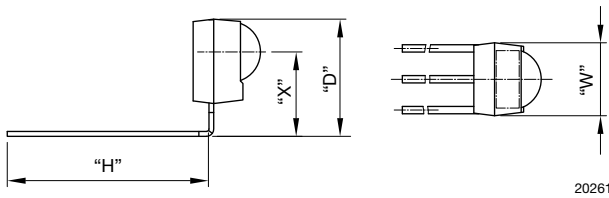
IR Receiver Modules for Remote Control Systems



20060

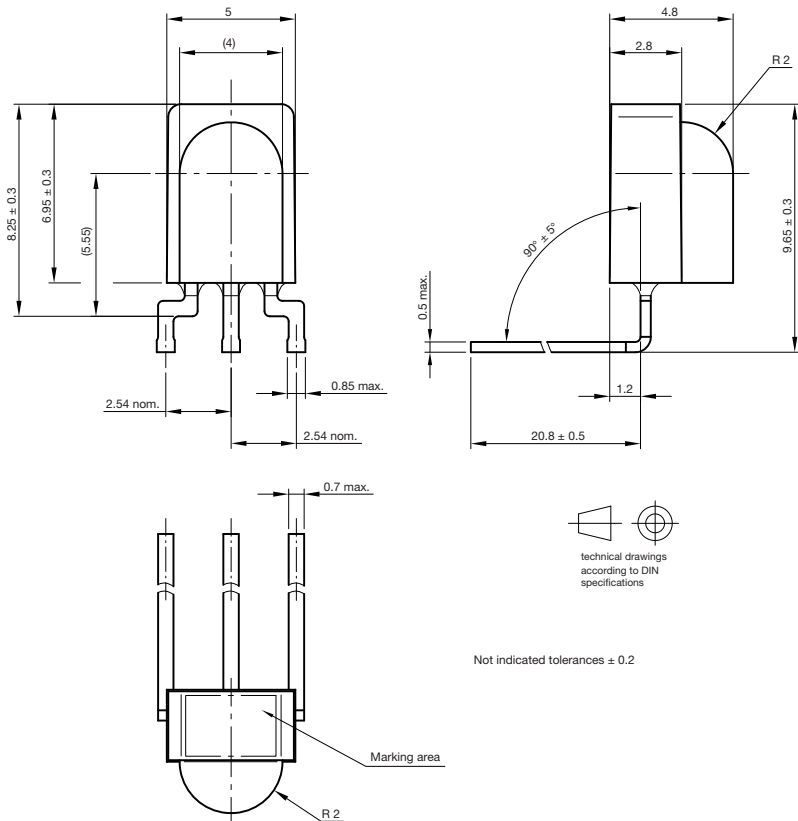
AVAILABLE FOR:

- TSOP58...
- TSOP59...
- TSOP38....
- TSOP39...
- TSOP98...



20261

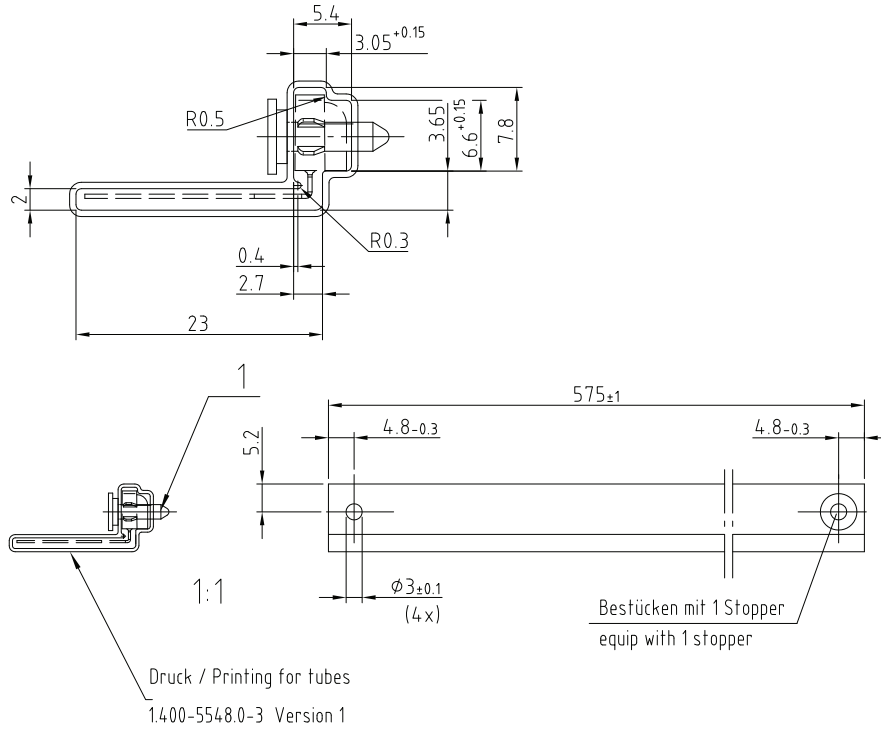
NAME	LENS AXIS (X)	VIEW	TYPE	HEIGHT (H)	WIDTH (W)	DEPTH (D)
SB1	6.95		Bend	20.8	5	9.65

MECHANICAL DIMENSIONS in millimeters


Not indicated tolerances ± 0.2

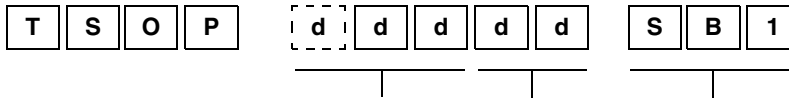
 Drawing-No.: 6.550-5281.01-4
 Issue: 3; 12.03.10
 20061

PACKAGING DIMENSIONS in millimeters



Drawing-No.: 9.700-5309.0-4
Rev. 2; Date: 26.10.07
20440

ORDERING INFORMATION



2 or 3 digit product series 2 digit frequency Holder type

Note

d = "digit", please consult the list of available series on the previous page to create a valid part number.

Example: TSOP39238SB1

PACKING QUANTITY

- 105 pieces per tube
- 30 tubes per carton