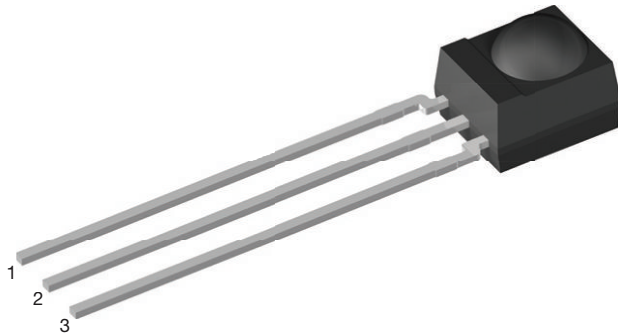




## IR Receiver Modules for Remote Control Systems

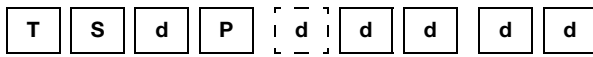
Vishay offers stock mold IR receivers in four different packages:

- Loose packed in tubes, mounted on tape for reel or ammopack, or packed bulk in plastic bags
- Vishay IR receiver with metal holders are packed in plastic trays. Vishay IR receiver with plastic holders are packed in plastic tubes



### LOOSE PACKED IN TUBE

### ORDERING INFORMATION



O = optoelectronics for IR receiver applications or  
 S = sensor applications or  
 M = for repeater / learning applications

Product series (2 or 3 digits)

Frequency

#### Note

- d = "digit", please consult the list of available devices create a valid part number

**Example: TSOP33438**  
**TSOP53136**

### PACKAGING QUANTITY

- 90 pieces per tube
- 24 tubes per carton

### FEATURES

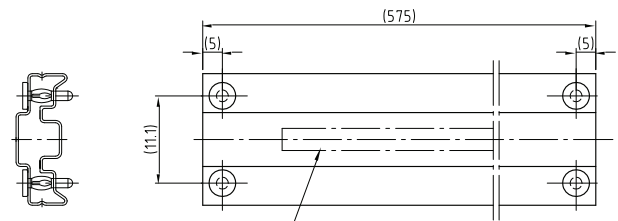
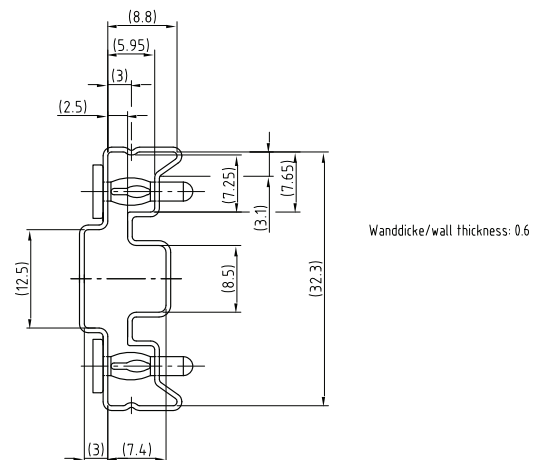
- Material categorization: for definitions of compliance please see [www.vishay.com/doc?99912](http://www.vishay.com/doc?99912)



### AVAILABLE FOR

- TSOP34...
- TSOP4....
- TSOP32...
- TSOP2...
- TSOP14...
- TSOP94...
- TSOP12...
- TSOP92...
- TSSP4..
- TSMP4..

### PACKAGING DIMENSIONS in millimeters



Drawing-No.: 9.700-5185.0-4  
 Rev. 13; Date: 20.11.03  
 20273-1

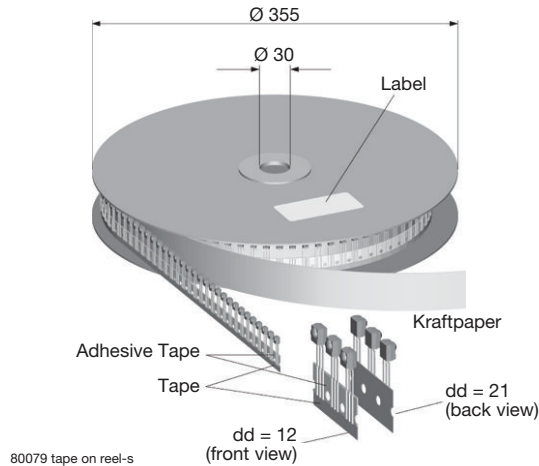
Druck / Printing for tubes  
 1400-5548.0-3 Version 1

## TAPE AND REEL / AMMOPACK

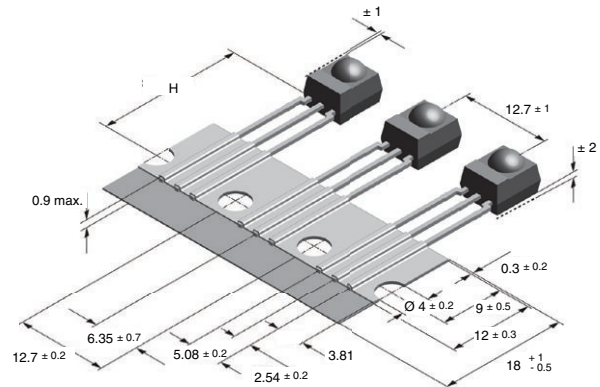
Up to 3 consecutive components may be missing if the gap is followed by at least 6 components. A maximum of 0.5 % of the components per reel quantity may be missing. At least 5 empty positions are present at the start and the end of the tape to enable insertion.

Tensile strength of the tape: > 15 N

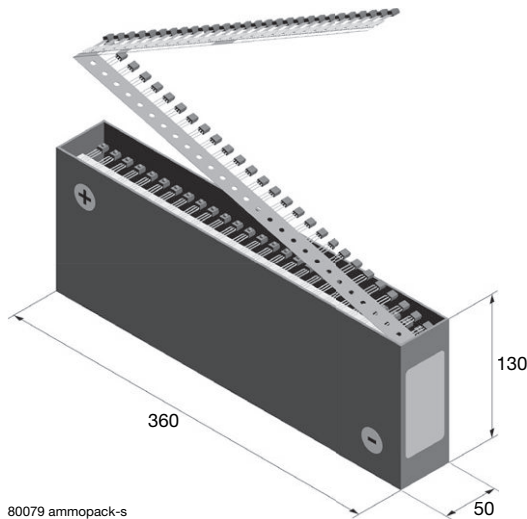
Pulling force in the plane of the tape, at right angles to the reel: > 5 N



80079 tape on reel-s

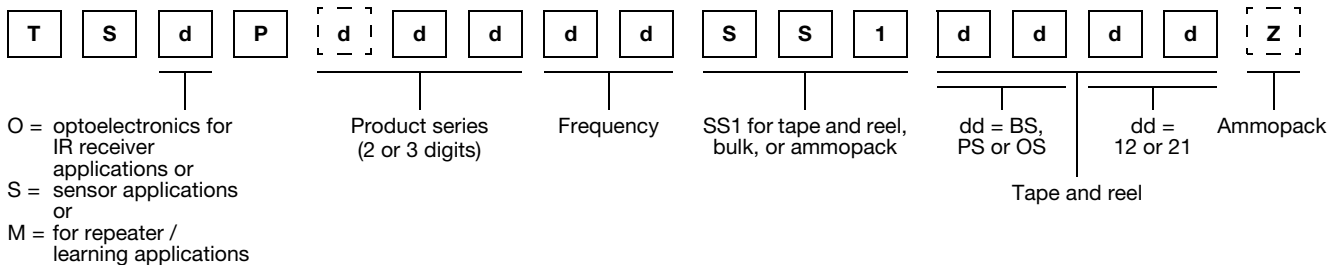


VERSION	DIMENSION "H"
BS	20 ± 0.5
PS	23.3 ± 0.5
OS	26 ± 0.5



80079 ammpack-s

## ORDERING INFORMATION



### Note

- d = "digit", please consult the list of available series on the previous page to create a valid part number

**Example: TSOP4838SS1BS12**  
**TSOP2238SS1BS12Z**

## PACKAGING QUANTITY

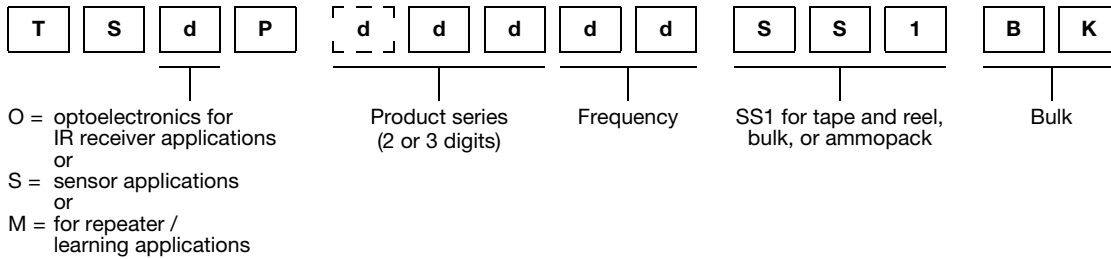
- 1000 pieces per reel
- 1000 pieces per ammpack



## BULK PACKAGING

The option “BK” signifies bulk packaging in conductive plastic bags. The packing quantity is determined by weight and the number of components per carton may vary by a maximum of ± 0.3 %.

## ORDERING INFORMATION



### Note

- d = “digit”, please consult the list of available series on the previous page to create a valid part number

Example: TSOP4838SS1BK  
TSOP2238SS1BK

## PACKAGING QUANTITY

- 250 pieces per bag (each bag is individually boxed)
- 6 bags in boxes per carton

## OUTER PACKAGING

**CARTON BOX DIMENSIONS** in millimeters

KINDS OF CARTON BOX	THICKNESS	WIDTH	LENGTH
Packaging plastic tubes (normal / auxiliary devices)	80	150	600
Packaging plastic trays (devices with metal holders)	120	290	490
Tape and reel box (taping in reels)	400	310	410
Ammo-box (zigzag taping)	50	130	350

## VISHAY SEMICONDUCTORS STANDARD BAR CODE LABELS

The Vishay Semiconductors standard bar code labels are printed at final packing areas. The labels are on each packing unit and contain Vishay Semiconductors specific data.

## BAR CODE PRODUCT LABEL (example)

PartNo: TSOP4838  
QTY: 2160  
SelCode: 000  
Origin: PHILIPPINES  
PTC: 19    Machine: 38  
MSL: 1

Lot1: FE00JPD.02  
Lot2: 1924472A38  
Batch: 202447PH19

Region: 2410 SL: 0010  
Serial#: OMM382283261  
Operator: 2653 ChkD: F18

VISHAY  
RoHS  
H/F