

# Minicast IR Receiver Packaging Options

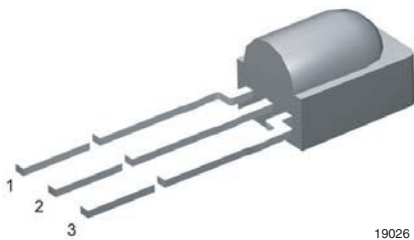
Vishay Semiconductors



## IR Receiver Modules for Remote Control Systems

Vishay offers stock minicast IR receivers in three different packages:

- Loose packed in tubes, mounted on tape for reel or ammpack, or packed bulk in plastic bags.
- Vishay IR receiver with metal holders are packed in plastic trays. Vishay IR receiver with plastic holders are packed in plastic tubes.



### FEATURES

- Compliant to RoHS Directive 2002/95/EC and in accordance to WEEE 2002/96/EC



### AVAILABLE FOR

- TSOP381..
- TSOP382..
- TSOP383..
- TSOP384..
- TSOP391..
- TSOP392..
- TSOP393..
- TSOP394..
- TSOP581..
- TSOP582..
- TSOP591..
- TSOP592..
- TSOP98200
- TSOP98260
- TSOP58038
- TSOP385..
- TSOP395..
- TSOP583..
- TSOP593..
- TSOP584..
- TSOP594..

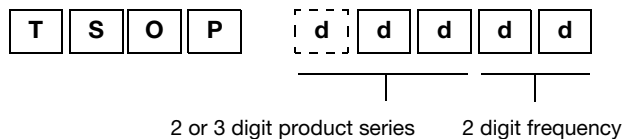


**RoHS**  
COMPLIANT  
**GREEN**  
(5-2008)\*\*

### BULK PACKAGING

Standard shipping for minicast is in conductive plastic bags. A maximum of 0.3 % of the components per box may be missing.

### ORDERING INFORMATION



#### Note

- d = "digit", please consult the list of available devices create a valid part number.

Example: **TSOP58438**  
**TSOP38138**

### PACKAGING QUANTITY

- 250 pieces per bag (each bag is individually boxed)
- 6 bags per carton

\*\* Please see document "Vishay Material Category Policy": [www.vishay.com/doc?99902](http://www.vishay.com/doc?99902)



# Minicast IR Receiver Packaging Options

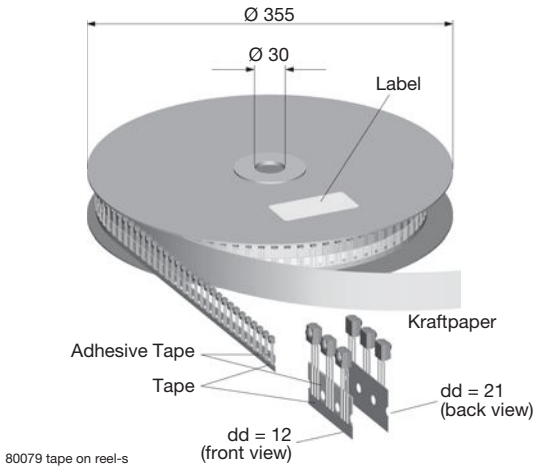
IR Receiver Modules for Remote Control Systems Vishay Semiconductors

## TAPE AND REEL/AMMOPACK

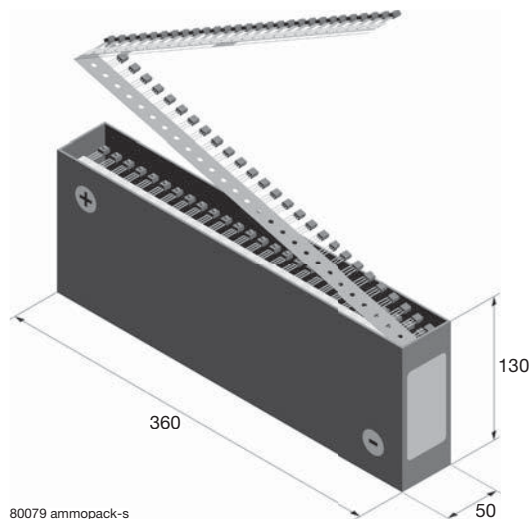
Up to 3 consecutive components may be missing if the gap is followed by at least 6 components. A maximum of 0.5 % of the components per reel quantity may be missing. At least 5 empty positions are present at the start and the end of the tape to enable insertion.

Tensile strength of the tape: > 15 N

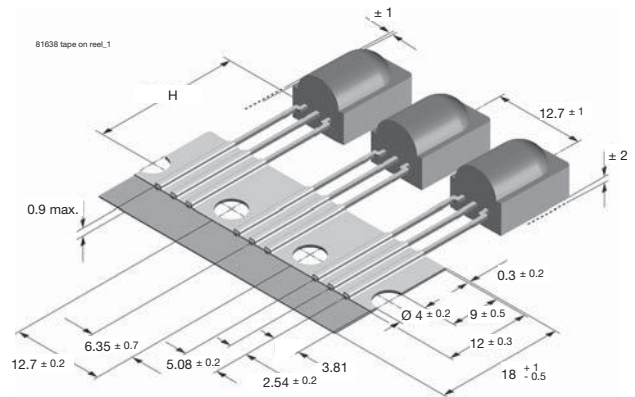
Pulling force in the plane of the tape, at right angles to the reel: > 5 N



80079 tape on reel-s

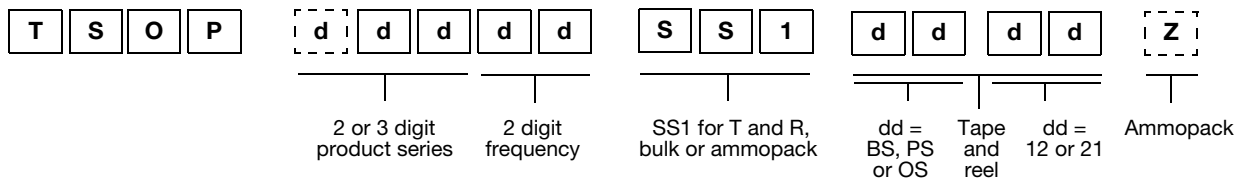


80079 ammpack-s



VERSION	DIMENSION "H"
BS	20 ± 0.5
PS	23.3 ± 0.5
OS	26 ± 0.5

## ORDERING INFORMATION



### Note

- d = "digit", please consult the list of available devices create a valid part number.

Example: **TSOP8238SS1BS12**  
**TSOP38236SS1BS12Z**

## PACKAGING QUANTITY

- 1000 pieces per reel
- 1000 pieces per ammpack

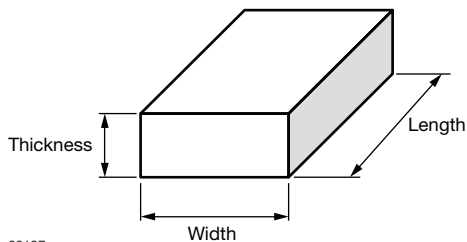
# Minicast IR Receiver Packaging Options

Vishay Semiconductors IR Receiver Modules for Remote Control Systems



## OUTER PACKAGING

### CARTON BOX DIMENSIONS in millimeters



KINDS OF CARTON BOX	THICKNESS	WIDTH	LENGTH
<b>Packaging Plastic Tubes</b> (Normal/auxiliary devices)	80	150	600
<b>Packaging Plastic Trays</b> (Devices with metal holders)	120	290	490
<b>Big Box</b> (Bulk packaging)	150	180	400
<b>Secondary Box</b> (Taping in reels)	400	310	410
<b>Ammo-Box</b> (Zigzag taping)	50	130	350