



## IR Receiver Modules for Remote Control Systems

Vishay offers stock minicast IR receivers in two different packages:

- Mounted on tape for reel or ammpack, or packed bulk in plastic bags
- Vishay IR receiver with metal holders are packed in plastic trays. Vishay IR receiver with plastic holders are packed in plastic tubes



### FEATURES

- Material categorization: for definitions of compliance please see [www.vishay.com/doc?99912](http://www.vishay.com/doc?99912)



**RoHS**  
COMPLIANT  
HALOGEN  
**FREE**  
**GREEN**  
(5-2008)

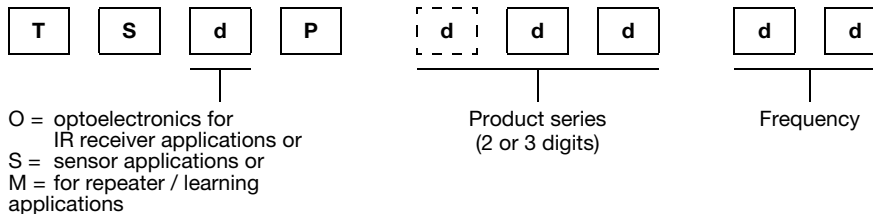
### AVAILABLE FOR

- TSOP38...
- TSOP58...
- TSOP18...
- TSOP98...
- TSSP58...
- TSMP58...

### BULK PACKAGING

Standard shipping for minicast is in conductive plastic bags. The packing quantity is determined by weight and the number of components per carton may vary by a maximum of  $\pm 0.3\%$ .

### ORDERING INFORMATION



#### Note

- d = "digit", please consult the list of available devices create a valid part number

**Example: TSOP58438**  
**TSOP38138**

### PACKAGING QUANTITY

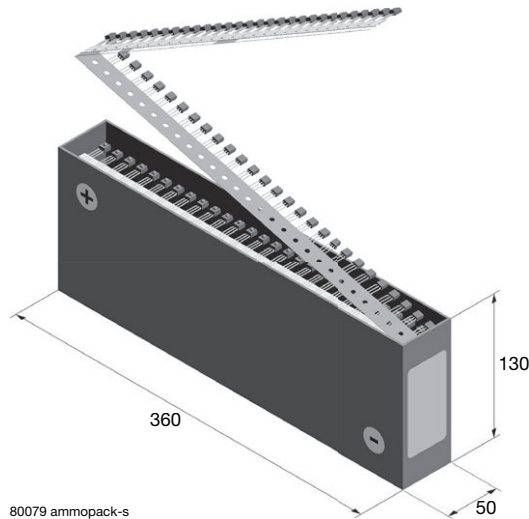
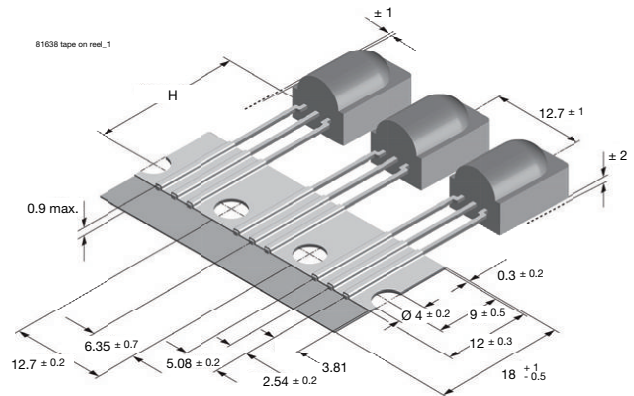
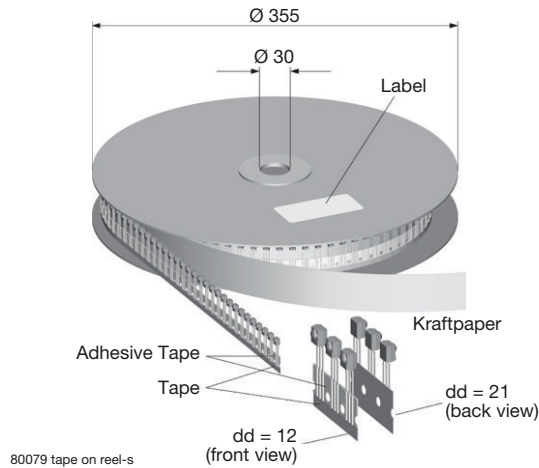
- 250 pieces per bag (each bag is individually boxed)
- 6 bags in boxes per carton

## TAPE AND REEL / AMMOPACK

Up to 3 consecutive components may be missing if the gap is followed by at least 6 components. A maximum of 0.5 % of the components per reel quantity may be missing. At least 5 empty positions are present at the start and the end of the tape to enable insertion.

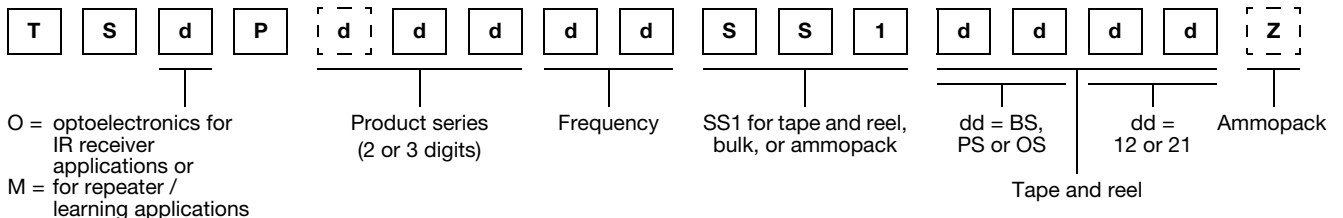
Tensile strength of the tape: > 15 N

Pulling force in the plane of the tape, at right angles to the reel: > 5 N



VERSION	DIMENSION "H"
BS	20 ± 0.5
PS	23.3 ± 0.5
OS	26 ± 0.5

## ORDERING INFORMATION



### Note

- d = "digit", please consult the list of available series on the previous page to create a valid part number

Example: TSOP38238SS1BS12  
TSOP38236SS1BS12Z

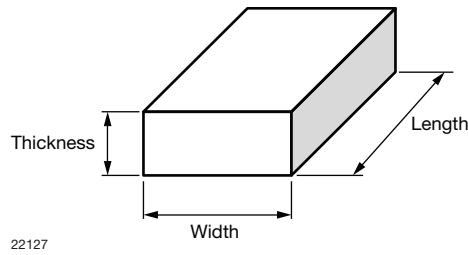
## PACKAGING QUANTITY

- 1000 pieces per reel
- 1000 pieces per ammpack



## OUTER PACKAGING

### CARTON BOX DIMENSIONS in millimeters



KINDS OF CARTON BOX	THICKNESS	WIDTH	LENGTH
Packaging plastic tubes (normal / auxiliary devices)	80	150	600
Packaging plastic trays (devices with metal holders)	120	290	490
Big box (bulk packaging)	150	180	400
Secondary box (taping in reels)	400	310	410
Ammo-box (zigzag taping)	50	130	350

## VISHAY SEMICONDUCTORS STANDARD BAR CODE LABELS

The Vishay Semiconductors standard bar code labels are printed at final packing areas. The labels are on each packing unit and contain Vishay Semiconductors specific data.

## BAR CODE PRODUCT LABEL (example)

PartNo: TSOP58438  
 QTY: 1500  
 SelCode: 000  
 Origin PHILIPPINES  
 PTC: 19 Machine: 38  
 MSL: 1

Lot1: FE00JPD.02  
 Lot2: 1924472A38  
 Batch: 202447PH19  
 Region: 2410 SL: 0010  
 Serial#: 0MY382283269  
 Operator: 2653 ChkD: F26

e3

VISHAY  
 RoHS  
 H/F