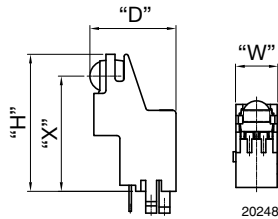
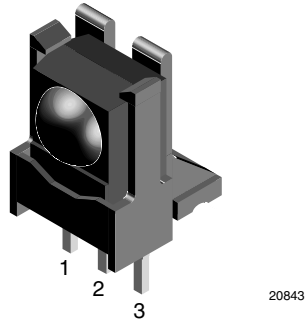


IR Receiver Modules for Remote Control Systems



FEATURES

- Compliant to RoHS Directive 2002/95/EC and in accordance to WEEE 2002/96/EC

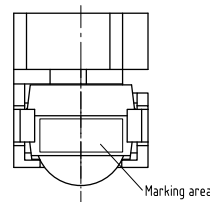
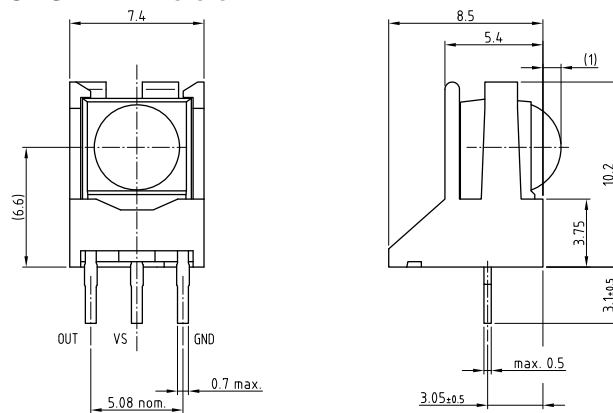


AVAILABLE FOR:

- TSOP344..
- TSOP348..
- TSOP341..
- TSOP44...
- TSOP48...
- TSOP41...
- TSOP324..
- TSOP322..
- TSOP321..
- TSOP24...
- TSOP22...
- TSOP21...
- TSOP14838
- TSOP12238

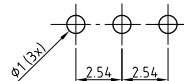
NAME	LENS AXIS (X)	VIEW	TYPE	HEIGHT (H)	WIDTH (W)	DEPTH (D)
VM1	6.6	Side	Holder	10.2	7.4	9.5

MECHANICAL DIMENSIONS in millimeters



not indicated tolerances ±0.3

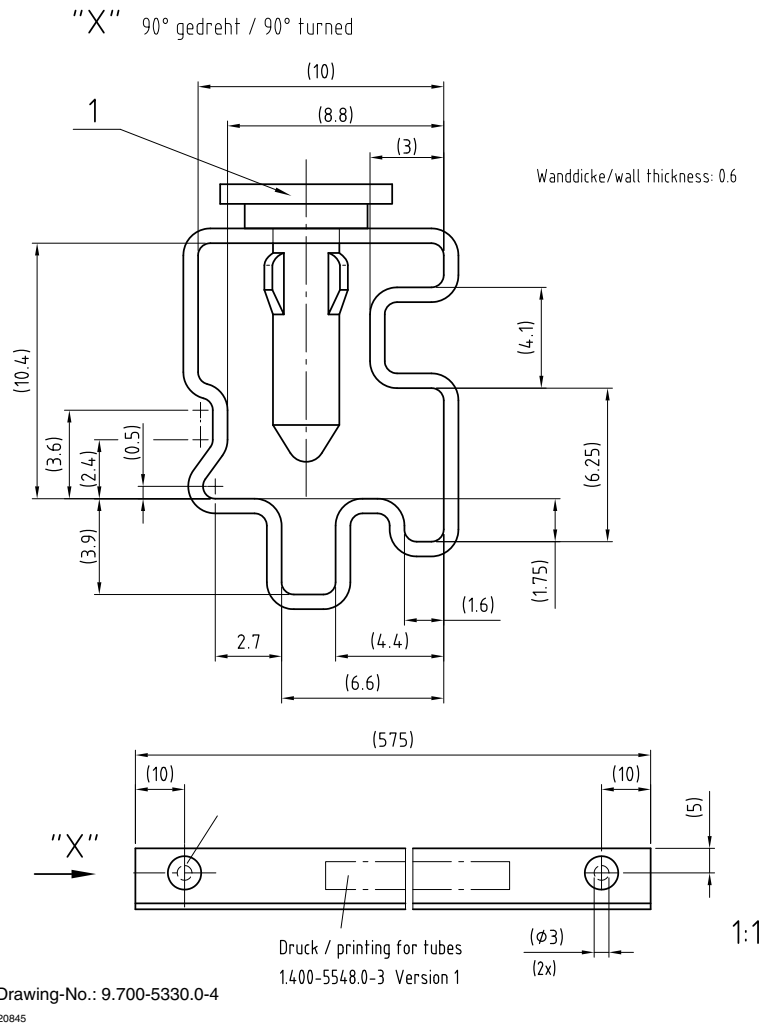
Proposed hole layout component side (for reference only)



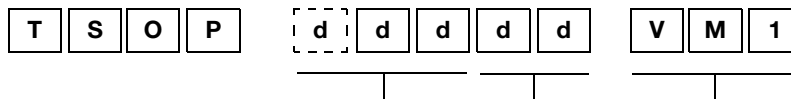
Drawing-No.: 6.550-5296.01-4
Issue: 1, 27.08.07
20844

** Please see document "Vishay Material Category Policy": www.vishay.com/doc?99902

PACKAGING DIMENSIONS in millimeters



ORDERING INFORMATION



2 or 3 digit product series 2 digit frequency Holder type

Note

d = "digit", please consult the list of available series on the previous page to create a valid part number.

Example: TSOP14838VM1

PACKING QUANTITY

- 74 pieces per tube
- 48 tubes per carton