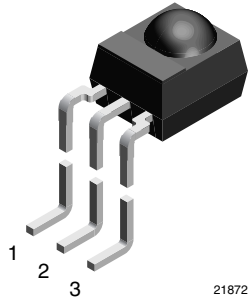


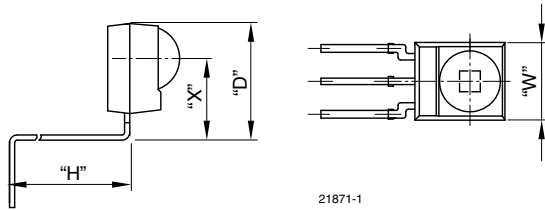
IR Receiver Modules for Remote Control Systems



21872

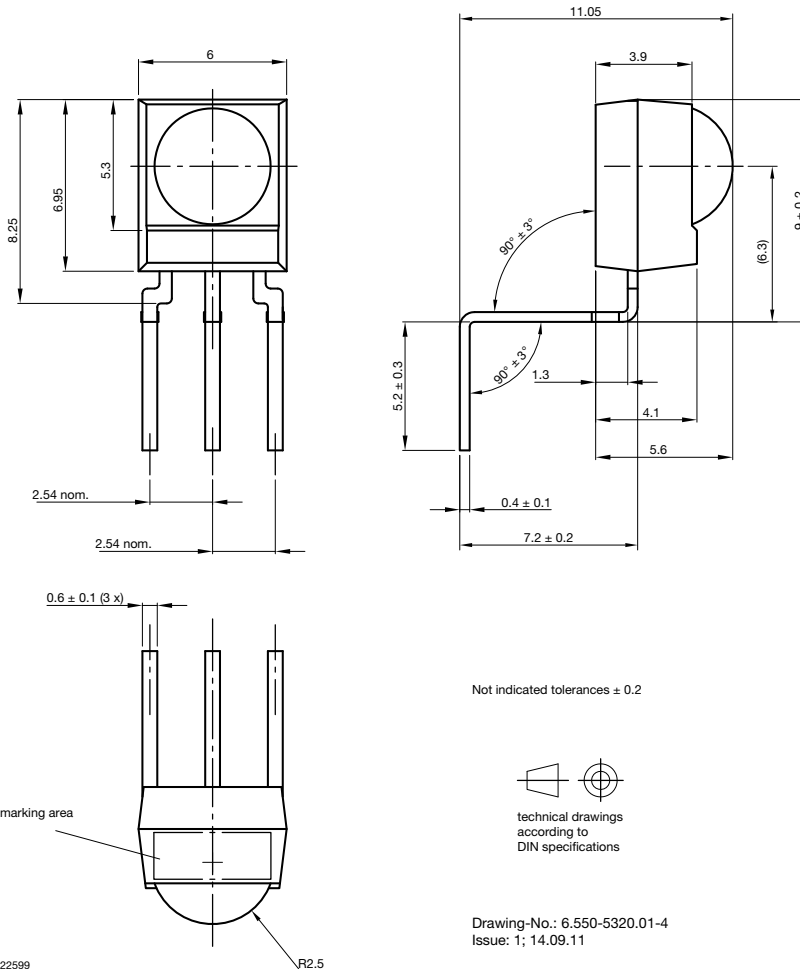
AVAILABLE FOR

- TSOP34...
- TSOP4...
- TSOP32...
- TSOP2....



21871-1

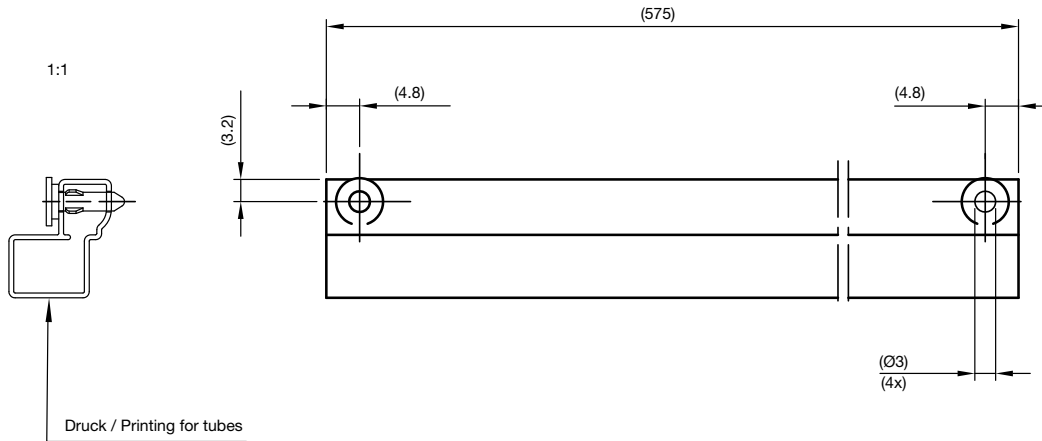
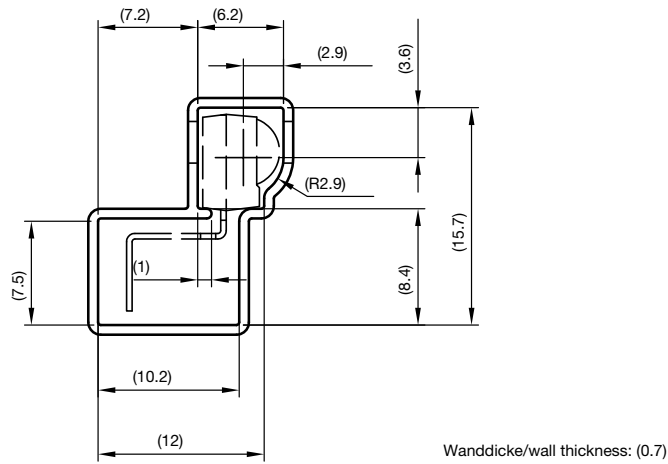
NAME	LENS AXIS (X)	VIEW	TYPE	HEIGHT (H)	WIDTH (W)	DEPTH (D)
DH1	6.3	Side	Bent	7.2	6	9

MECHANICAL DIMENSIONS in millimeters


22599

R2.5

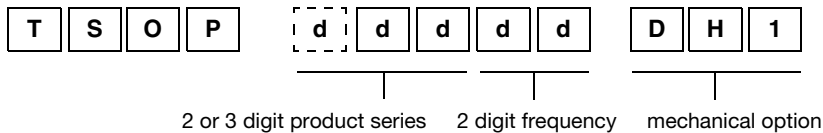
PACKAGING DIMENSIONS in millimeters



Drawing-No.: 9.700-5384.0-4
Issue: 1; 02.09.11

22600

ORDERING INFORMATION



Note

- d = "digit", please consult the list of available series on the previous page to create a valid part number.

Example: TSOP4838DH1

PACKING QUANTITY

- 90 pieces per tube
- 44 tubes per carton