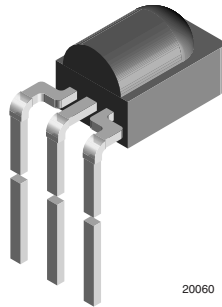


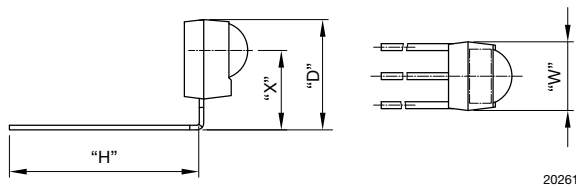
IR Receiver Modules for Remote Control Systems



20060

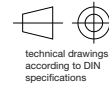
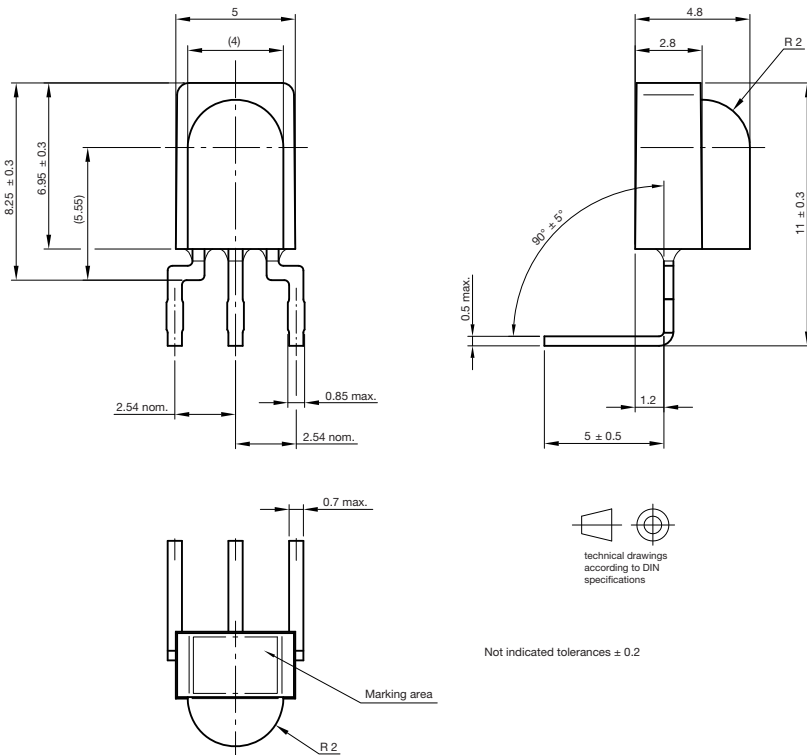
AVAILABLE FOR:

- TSOP58...
- TSOP59...
- TSOP38....
- TSOP39...
- TSOP98...



20261

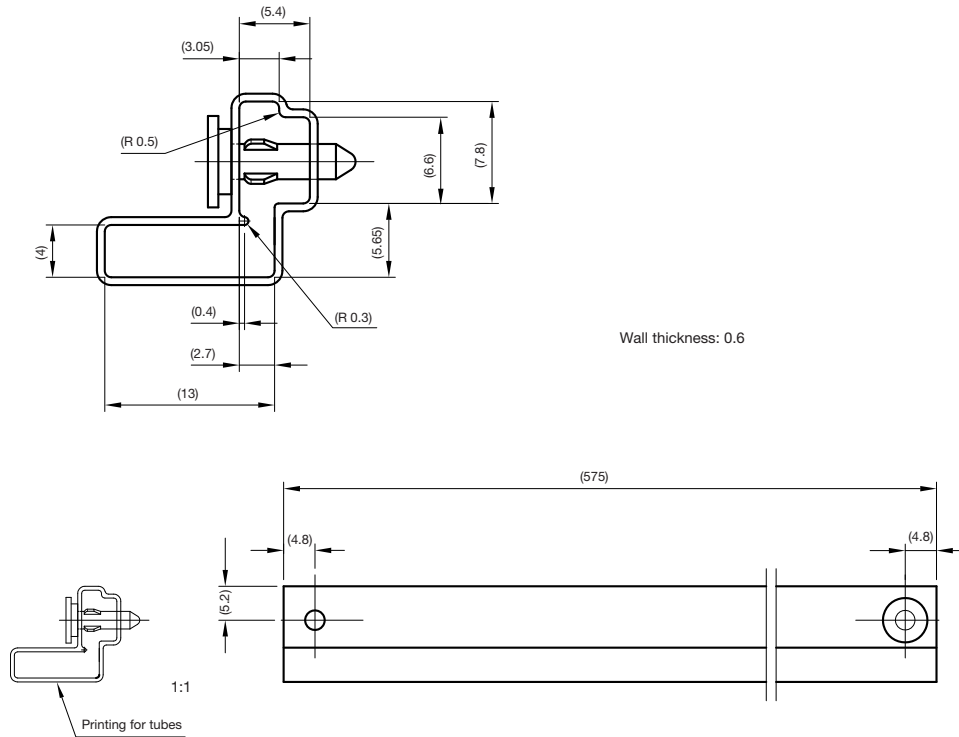
NAME	LENS AXIS (X)	VIEW	TYPE	HEIGHT (H)	WIDTH (W)	DEPTH (D)
DH1	8.3		Bend	5	5	11

MECHANICAL DIMENSIONS in millimeters

 technical drawings
according to DIN
specifications

Not indicated tolerances ± 0.2

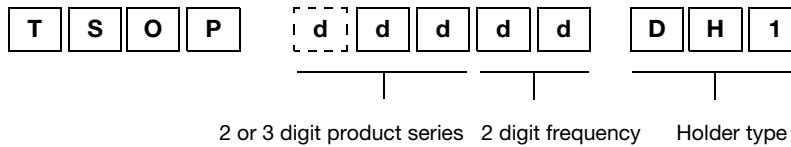
 Drawing-No.: 6.550-5281.08-4
 Issue: 2; 09.03.10
 22063

PACKAGING DIMENSIONS in millimeters



Drawing-No.: 9.700-5349.0-4
 Issue: 1; 02.03.10
 22064

ORDERING INFORMATION



Note
 d = "digit", please consult the list of available series on the previous page to create a valid part number.

Example: TSOP38438DH1

PACKING QUANTITY

- 105 pieces per tube
- 36 tubes per carton