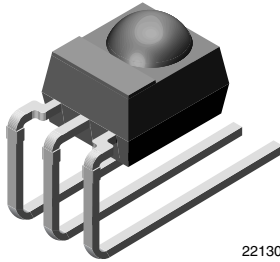


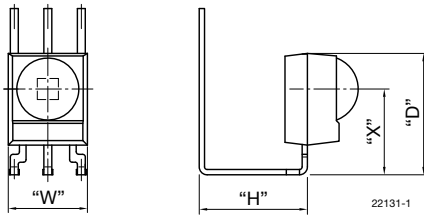
# IR Receiver Modules for Remote Control Systems



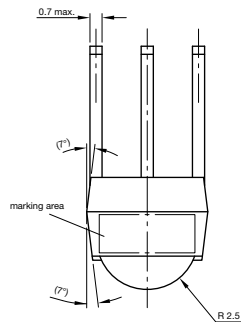
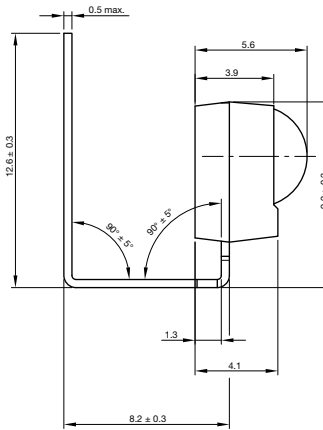
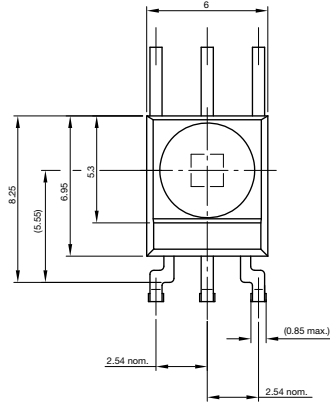
22130

**AVAILABLE FOR:**

- TSOP2...
- TSOP32...
- TSOP4...
- TSOP34...



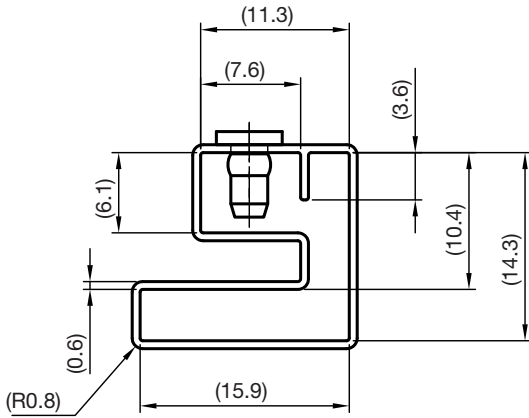
NAME	LENS AXIS (X)	VIEW	TYPE	HEIGHT (H)	WIDTH (W)	DEPTH (D)
ST1	6.5		Bend	8.2	6	9.2

**MECHANICAL DIMENSIONS** in millimeters

 Drawing-No.: 6.550-5308.01-4  
 Issue: 2; 19.11.10  
 22129

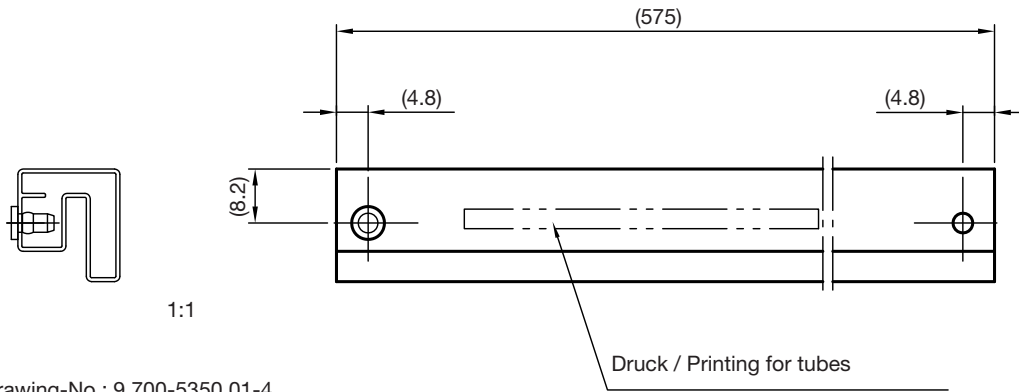
Not indicated tolerances ± 0.2



**PACKAGING DIMENSIONS** in millimeters

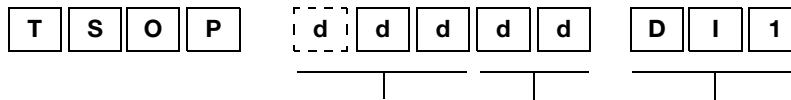


Wanddicke/wall thickness: 0.6



Drawing-No.: 9.700-5350.01-4  
 Issue: 1; 21.05.10  
 22128

**ORDERING INFORMATION**



2 or 3 digit product series    2 digit frequency    Holder type

**Note**

d = "digit", please consult the list of available series on the previous page to create a valid part number.

**Example: TSOP4836DI1**

**PACKING QUANTITY**

- 90 pieces per tube
- 32 tubes per carton