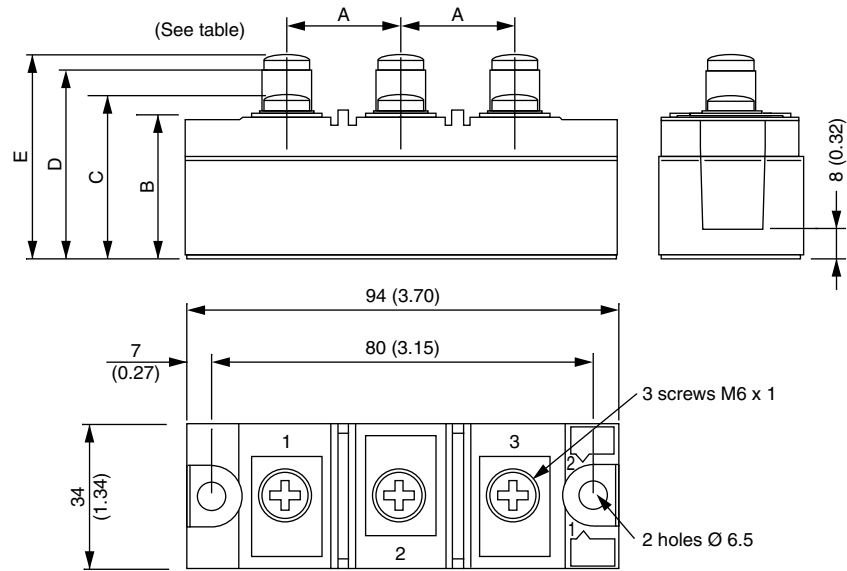


INT-A-PAK Diode

DIMENSIONS in millimeters (inches)



A	B	C	D	E
23 (0.91)	30 (1.18)	36 (1.42)	-	-