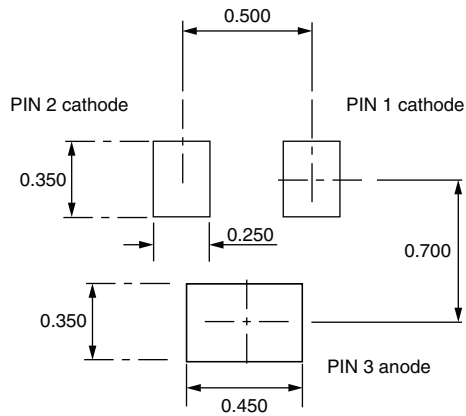
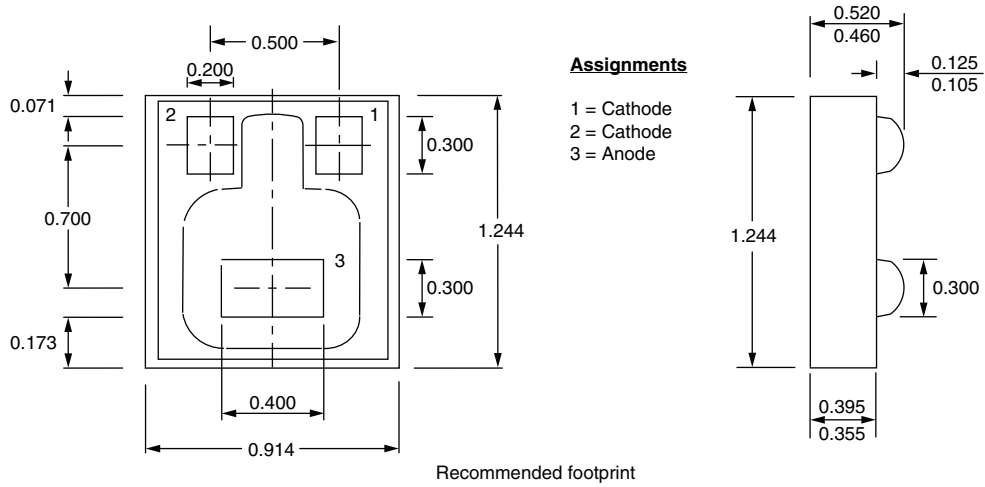


## FlipKY® 0.5 A/0.75 A

**DIMENSIONS** in millimeters



**Notes**

- Dimensioning and tolerancing per ASME Y14.5M-1994
- Controlling dimension: millimeter