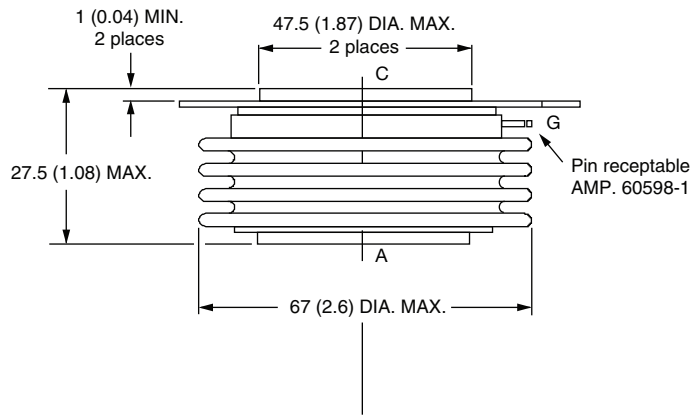


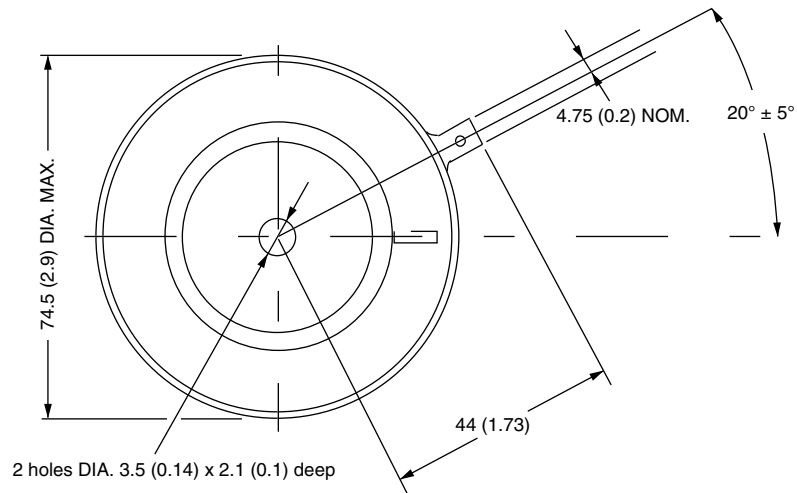
## K-PUK (A-24)

**DIMENSIONS** in millimeters (inches)

Creepage distance: 28.88 (1.137) minimum  
 Strike distance: 17.99 (0.708) minimum



**Note:**  
 A = Anode  
 C = Cathode  
 G = Gate



Quote between upper and lower pole pieces has to be considered after application of mounting force (see thermal and mechanical specification)