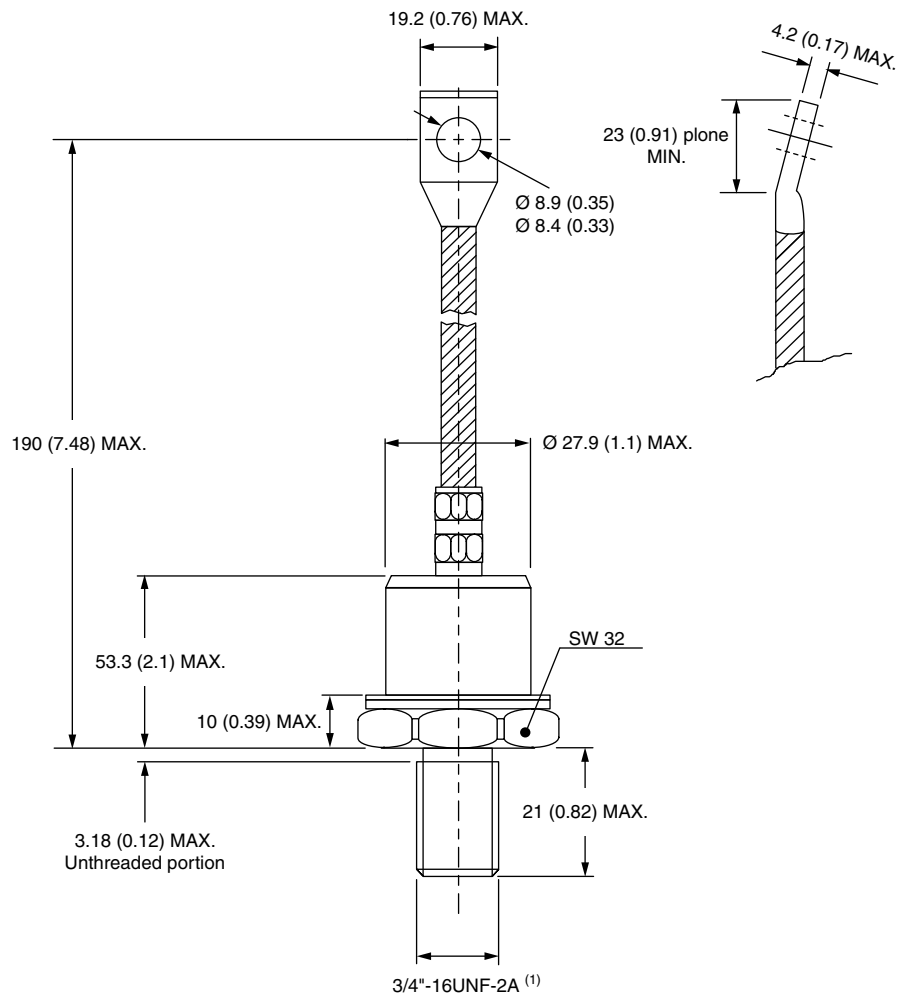


DO-205AB (DO-9) for 240U(R) Series

DIMENSIONS in millimeters (inches)



Note

(1) For metric device M16 x 1.5 contact factory