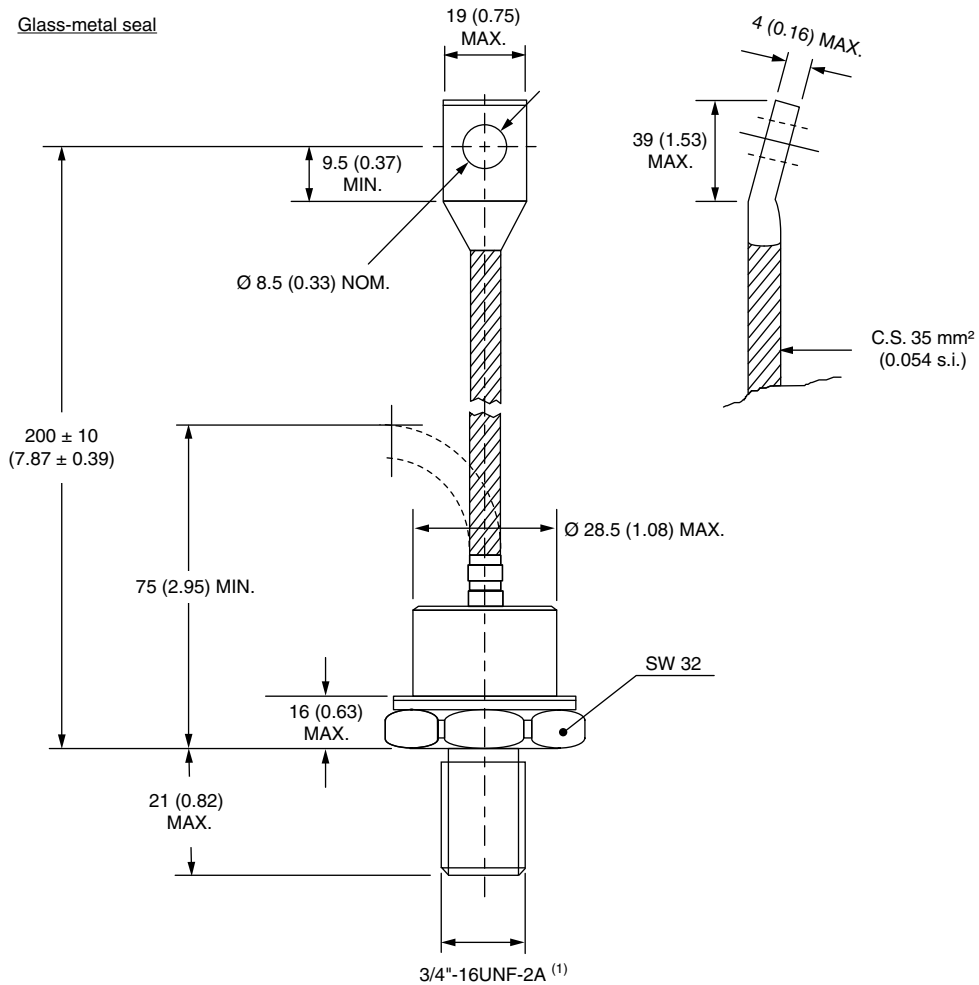


## DO-205AB (DO-9) for 400U(R) Series

**DIMENSIONS** in millimeters (inches)



**Note**

- For metric device: M16 x 1.5 contact factory