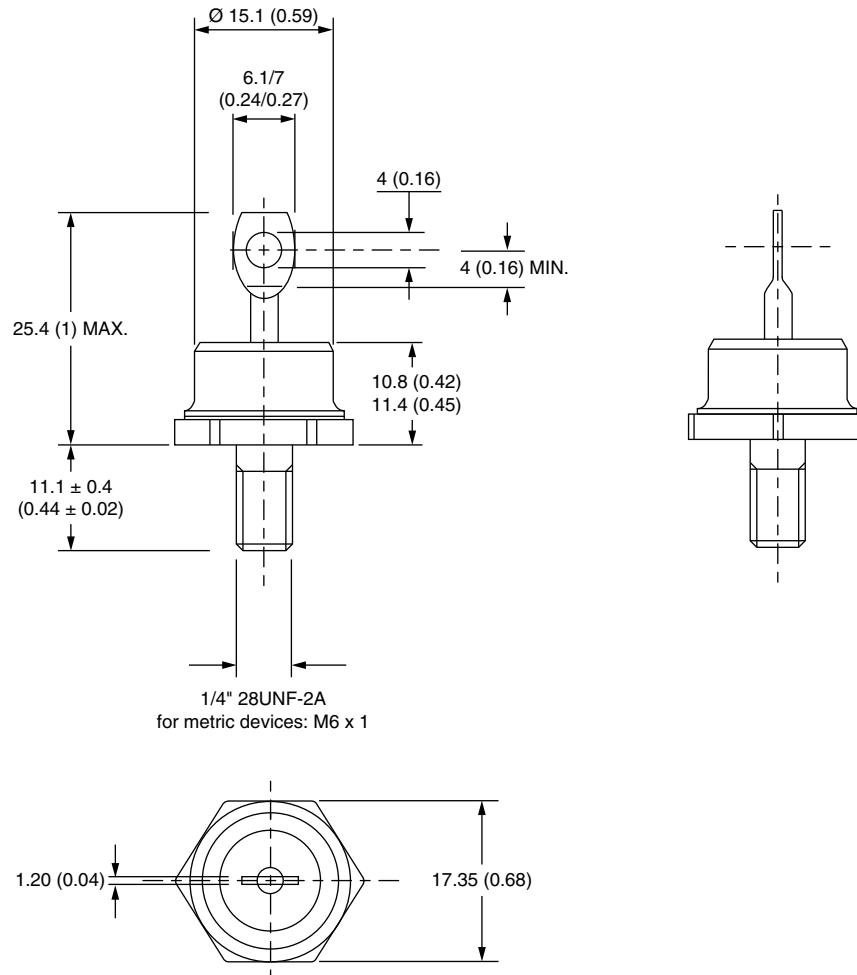




## DO-203AB (DO-5) for 85HF(R) and 86HF(R) Series

**DIMENSIONS FOR 85HF(R) SERIES** in millimeters (inches)



# Outline Dimensions

Vishay Semiconductors

DO-203AB (DO-5) for 85HF(R)  
and 86HF(R) Series



## DIMENSIONS FOR 86HF(R) SERIES in millimeters (inches)

