



### Packaging Information

SUMMARY					
CASE TYPE	PACKAGING MODE	PACKAGING DESCRIPTION	PER T/R/B QUANTITY	MOQ	
TO-220	Tube	Anti-static plastic tubes	50	1000	
TO-220FP	Tube	Anti-static plastic tubes	50	1000	
TO-218	Tube	Anti-static plastic tubes	30	1200	
TO-247	Tube	Anti-static plastic tubes	25	500	
Super TO-247	Tube	Anti-static plastic tubes	25	500	
PowerTab®	Tube	Anti-static plastic tubes	25	375	
D-61	SMD	Tube	Anti-static plastic tubes	20	400
	TH	Tube	Anti-static plastic tubes	10	200
D <sup>2</sup> PAK/TO-262	Tube	Anti-static plastic tubes	50	1000	
D <sup>2</sup> PAK	TRL	13" diameter reel	800	800	
	TRR	13" diameter reel	800	800	
D-PAK, I-PAK	Tube	Anti-static plastic tubes	75	3000	
	TR	13" diameter reel	2000	2000	
	TRL	13" diameter reel	3000	3000	
	TRR	13" diameter reel	3000	3000	
SMA	TR	13" diameter reel	7500	7500	
	Bulk	Paper box	1000	1000	
SMB	TR	13" diameter reel	3000	3000	
	Bulk	Paper box	1000	1000	
SMC	TR	13" diameter reel	3000	3000	
	Bulk	Paper box	1000	1000	

**Notes**

- Per T/R/B quantity represents per tube/reel/bulk box quantity
- MOQ represents Minimum Order Quantity

TUBE PACKAGING INFORMATION										
CASE TYPE	PACKAGING DESCRIPTION	DIMENSION 1		DIMENSION 2						SKETCH MAP
		L (FIGURE 1)		W		H		T		
		INCH	mm	INCH	mm	INCH	mm	INCH	mm	
TO-220	Anti-static plastic tubes	21.46	545.00	1.30	33.00	0.28	7.00	0.025	0.630	Figure 2
TO-220FP	Anti-static plastic tubes	21.46	545.00	1.30	33.00	0.28	7.00	0.025	0.630	
D <sup>2</sup> PAK/TO-262	Anti-static plastic tubes	21.46	545.00	1.30	33.00	0.27	6.86	0.024	0.600	
TO-247	Anti-static plastic tubes	16.14	410.00	1.48	37.50	0.25	6.40	0.031	0.800	
Super TO-247	Anti-static plastic tubes	16.14	410.00	1.48	37.50	0.25	6.40	0.031	0.800	
PowerTab®	Anti-static plastic tubes	16.14	410.00	1.70	43.20	0.24	6.00	0.031	0.800	
D-PAK, I-PAK	Anti-static plastic tubes	20.00	508.00	0.78	19.91	0.16	4.17	0.027	0.686	
TO-218	Anti-static plastic tubes	20.94	532.00	1.59	40.50	0.29	7.40	0.020	0.500	Figure 3
D-61	Anti-static plastic tubes	16.40	416.56	1.03	26.16	0.37	9.30	0.028	0.710	
TO-262-011	Anti-static plastic tubes	21.25	540	1.15	29.2	0.55	14.05	0.030	0.75	Figure 4

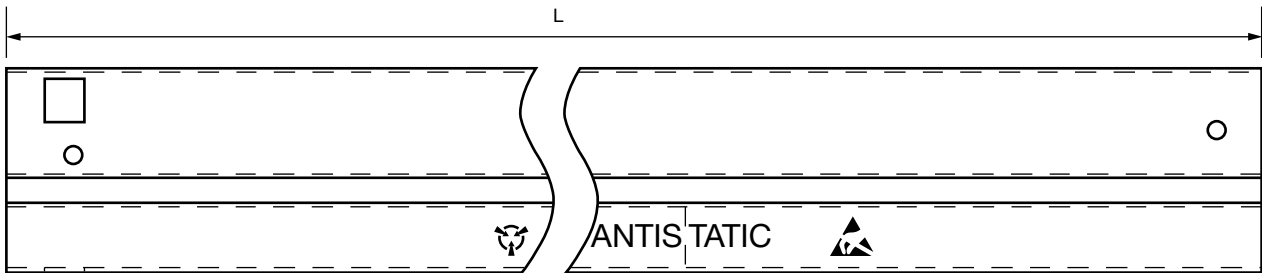


Fig. 1



Fig. 2

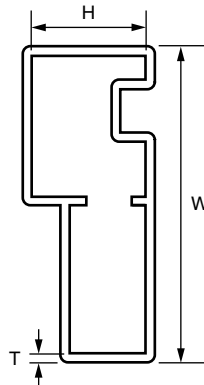


Fig. 3

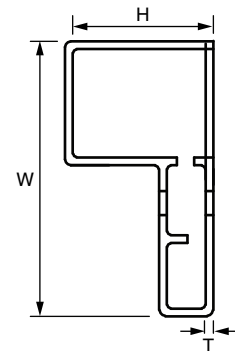
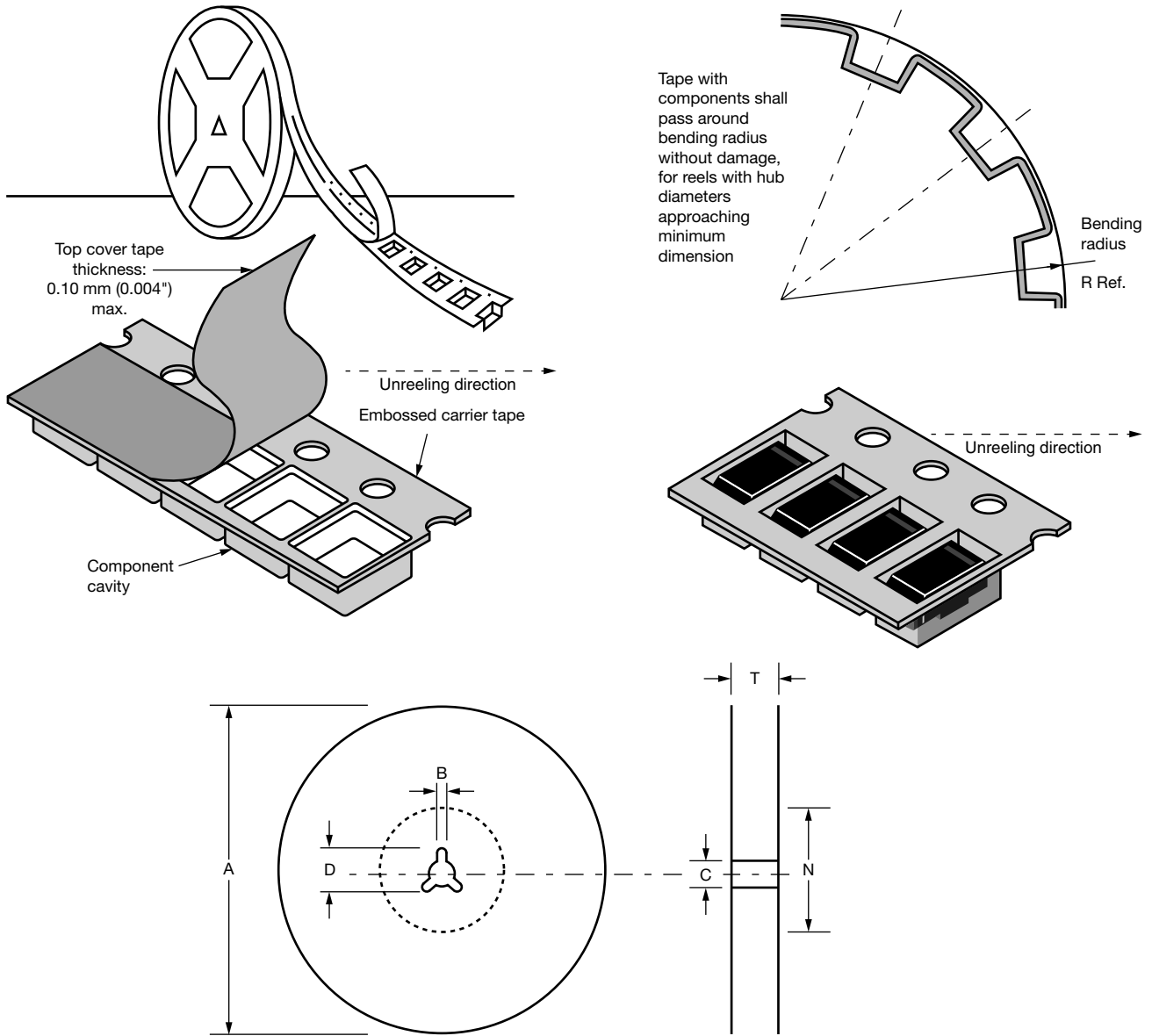


Fig. 4

**Note**

- All the sketch maps are just for reference. For detailed drawings, please contact one of the following: [DiodesAmericas@vishay.com](mailto:DiodesAmericas@vishay.com), [DiodesAsia@vishay.com](mailto:DiodesAsia@vishay.com), [DiodesEurope@vishay.com](mailto:DiodesEurope@vishay.com).

## SURFACE MOUNT TAPE AND REEL PACKAGING INFORMATION



REEL DIMENSION SUMMARY (see figure 5)												
CASE TYPE	A		B		C		D		N		T	
	INCH	mm	INCH	mm	INCH	mm	INCH	mm	INCH	mm	INCH	mm
D <sup>2</sup> PAK	13	330	0.06	1.5	0.52	13.2	0.79	20	3.94	100	1.2	30.4
DPAK			0.08	2	0.51	13	0.8	20.2			0.88	22.4
SMC			0.06	1.5			0.51	13	0.8	20.2	2.95	75
SMB, SMA												

EMBOSSED CARRIER TAPE SUMMARY (see figure 6)																			
PACKAGING MODE	CASE TYPE	TYPE SIZE (W)		E		F		D		P <sub>0</sub>		P <sub>1</sub>		P <sub>2</sub>		A <sub>0</sub>		B <sub>0</sub>	
		INCH	mm	INCH	mm	INCH	mm	INCH	mm	INCH	mm	INCH	mm	INCH	mm	INCH	mm	INCH	mm
TRR	D <sup>2</sup> PAK	0.945	24	0.07	1.75	0.45	11.5	0.06	1.55	0.16	4	0.63	16	0.08	2	0.43	10.8	0.63	16
	DPAK	0.63	16			0.3	7.5					0.31	8			0.27	6.9	0.41	10.5
TRL	D <sup>2</sup> PAK	0.945	24			0.45	11.5					0.63	16			0.43	10.8	0.63	16
	DPAK	0.63	16			0.3	7.5					0.31	8			0.27	6.9	0.41	10.5
TR	DPAK	0.63	16			0.3	7.5					0.47	12			0.42	10.7	0.27	6.9
TR	SMA	0.472	12			0.22	5.5					0.06	1.55			0.16	4	See note 1	
	SMB	0.472	12	0.22	5.5	0.31	8												
	SMC	0.63	16	0.3	7.5	0.31	8												

**Note**

(1) A<sub>0</sub> and B<sub>0</sub> are determined by the maximum dimensions of the component size. The clearance between the component and the cavity must be within 0.05 mm (0.002") min. to 0.5 mm (0.02") max. for 8 mm tape and 12 mm tape, 0.15 mm (0.066") min. to 0.90 mm (0.035") max. for 16 mm tape and 0.15 mm (0.006") min. to 1.0 mm (0.59") max. for 24 mm tape.

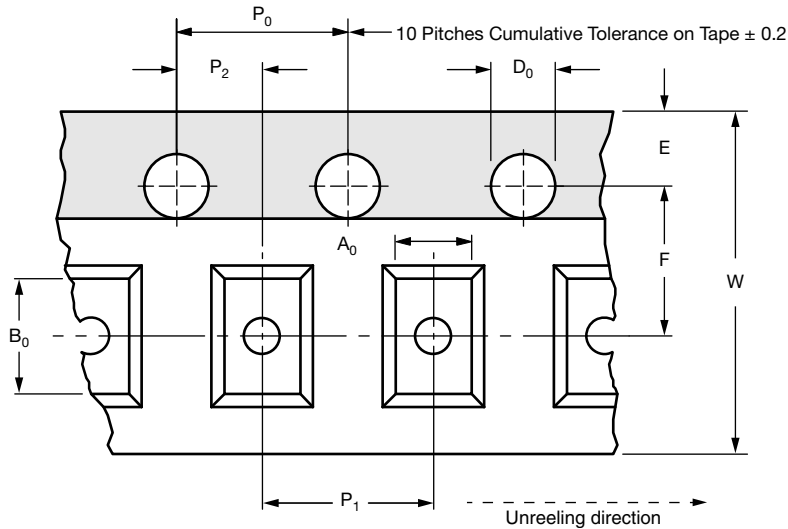


Fig. 6

EMBOSSED CARRIER TAPE SUMMARY						
PACKAGING MODE	CASE TYPE	T		T <sub>1</sub>		SKETCH MAP
		INCH	mm	INCH	mm	
TRR	D <sup>2</sup> PAK	0.016	0.4	0.193	4.9	Figure 7
	DPAK	0.012	0.3	0.106	2.7	
TRL	D <sup>2</sup> PAK	0.016	0.4	0.193	4.9	Figure 8
	DPAK	0.012	0.3	0.106	2.7	
TR	DPAK	0.012	0.3	0.106	2.7	Figure 10
TR	SMA	0.016	0.4	0.177	4.5	Figure 9
	SMB	0.016	0.4	0.177	4.5	
	SMC	0.016	0.4	0.130	3.29	

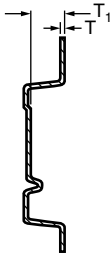


Fig. 7

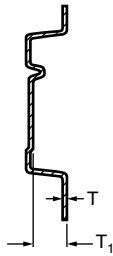


Fig. 8

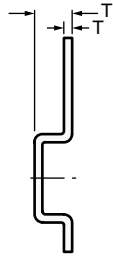


Fig. 9

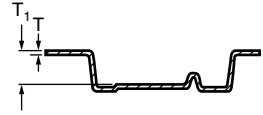


Fig. 10

## BULK PACKAGING INFORMATION

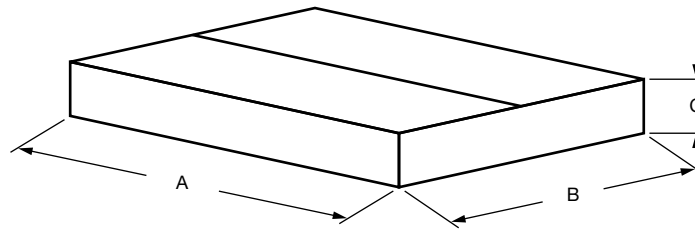


Fig. 11

SUMMARY (see figure 12)						
CASE TYPE	A		B		C	
	INCH	mm	INCH	mm	INCH	mm
SMA, SMB, SMC	3.39	100	3.15	80	1.57	40

## CARTON FOR TO-220, D<sup>2</sup>PAK, TO-262, FULL-PAK

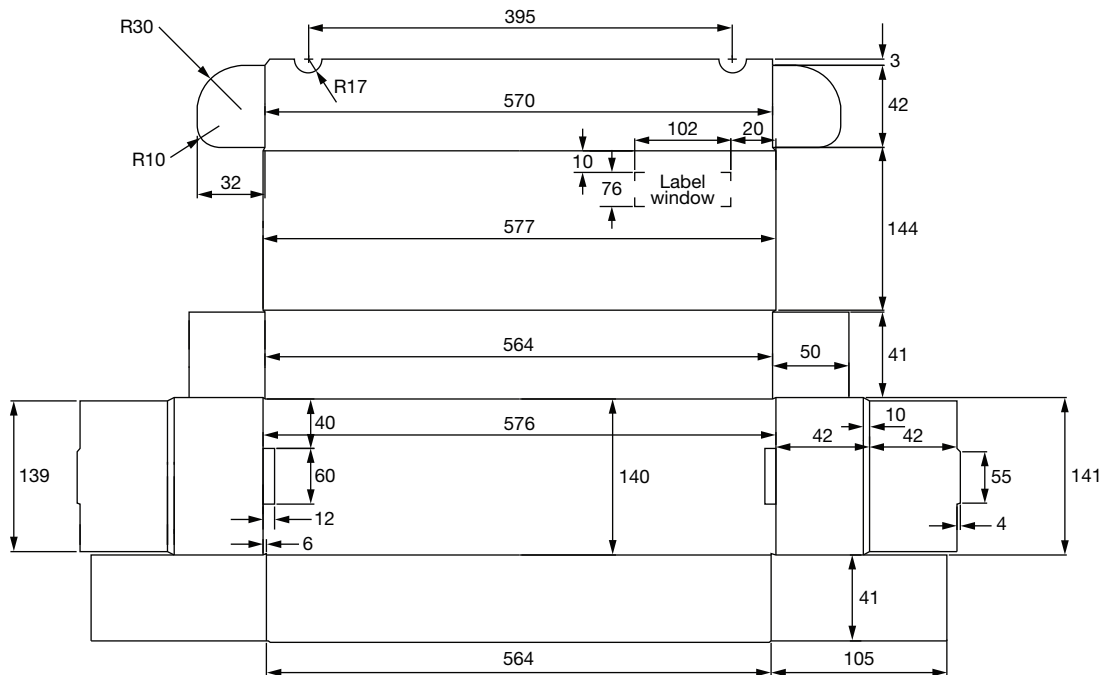


Fig. 12



## CARTON FOR TO-247, SUPER TO-247, PowerTab®

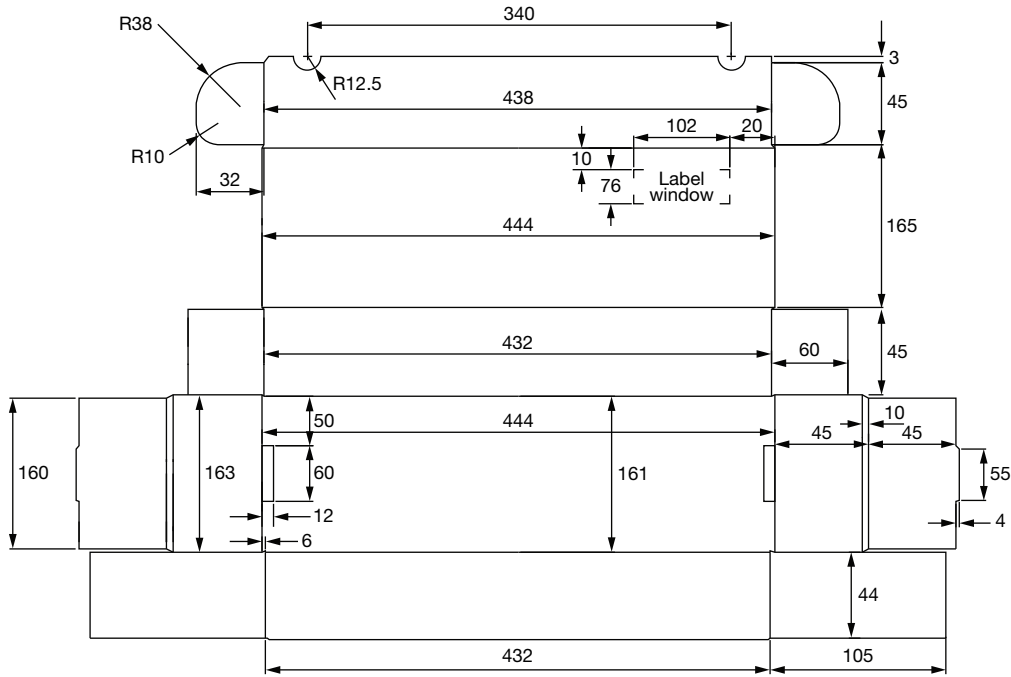


Fig. 13

## CARTON FOR D-61

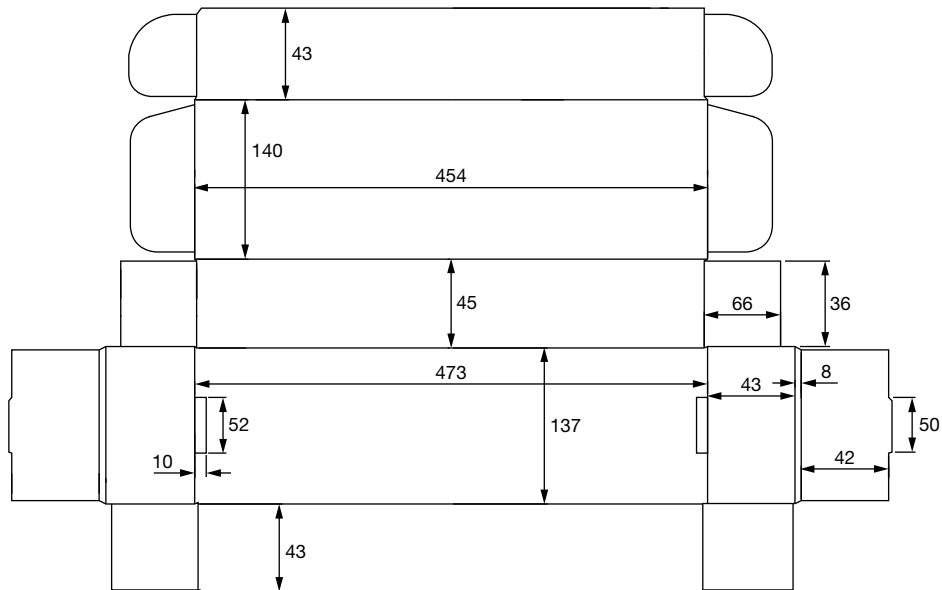


Fig. 14