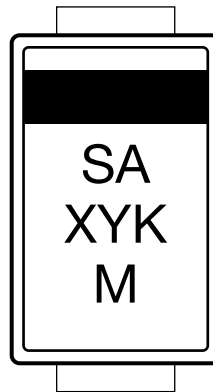
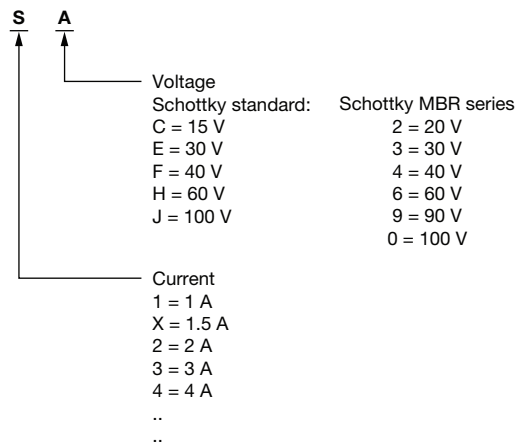


SMA, SMB, SMC



- ← Cathode band **Note:**
 - Cathode band: marked with one or more lines
- ← Type code
- ← - XY = date code
- ← - K = (optional) factory identification code
- ← Halogen-free compound mark

Type Code



Date Code

