

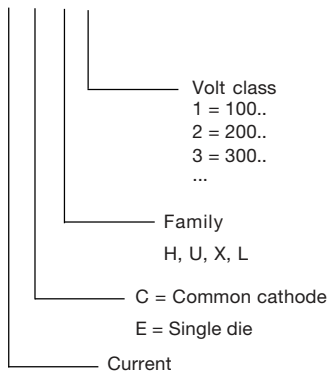
SMPC FRED Pt®



Polarity (For rectifiers)

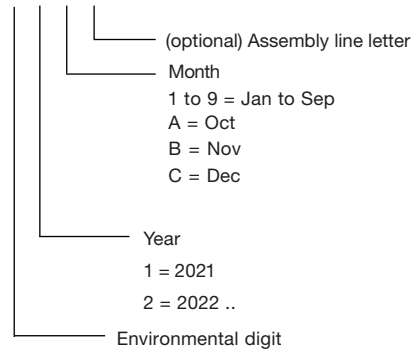
1st row

F C H 2



2nd row

M X Y K



| CURRENT | DIGIT | CURRENT | DIGIT |
|---------|-------|---------|-------|
| 1 | D | 8 | Q |
| 2 | F | 7 | R |
| 3 | G | 10 | S |
| 4 | J | 11 | T |
| 5 | K | 12 | V |
| 6 | N | 13 | Y |
| 7 | P | 14 | Z |

| ENVIRONMENTAL NAMING CODE | PRODUCT DEFINITION |
|---------------------------|--|
| A | Termination lead (Pb)-free |
| B | Totally lead (Pb)-free |
| E | RoHS-compliant + termination lead (Pb)-free |
| F | RoHS-compliant + totally lead (Pb)-free |
| M | Halogen-free + RoHS-compliant + termination lead (Pb)-free |
| N | Halogen-free + RoHS-compliant + totally lead (Pb)-free |
| G | Green |