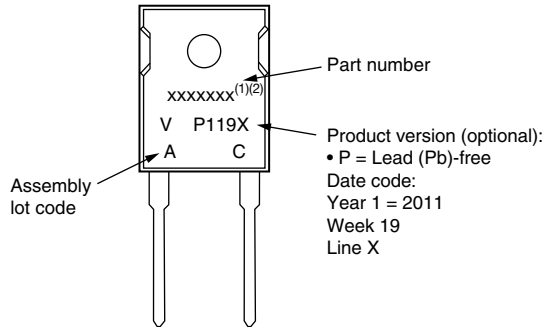




## TO-247 Long-Lead E



Example: This is a xxxxxxx with assembly lot code AC, assembled on WW 19, 2011 in the assembly line "X"

### Notes

- (1) If part number contain "H" as last digit, product is AEC-Q101 qualified
- (2) If part number contain "L", product is long-lead

ENVIRONMENTAL NAMING CODE (Z)	PRODUCT DEFINITION
A	Termination lead (Pb)-free
B	Totally lead (Pb)-free
E	RoHS-compliant and termination lead (Pb)-free
F	RoHS-compliant and totally lead (Pb)-free
M	Halogen-free, RoHS-compliant and termination lead (Pb)-free
N	Halogen-free, RoHS-compliant and totally lead (Pb)-free
G	Green