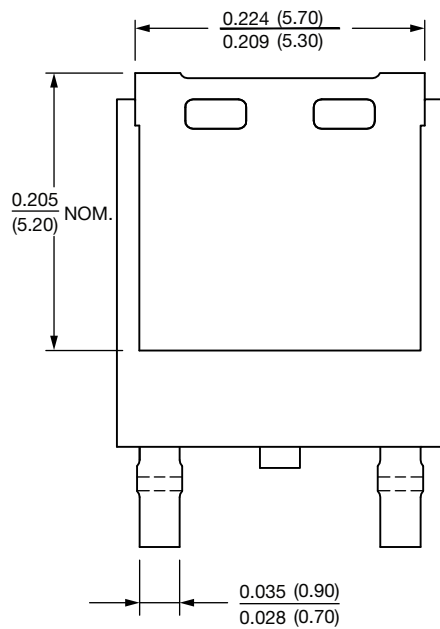
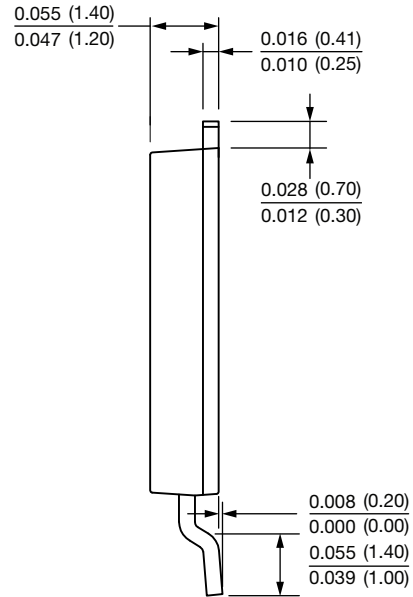
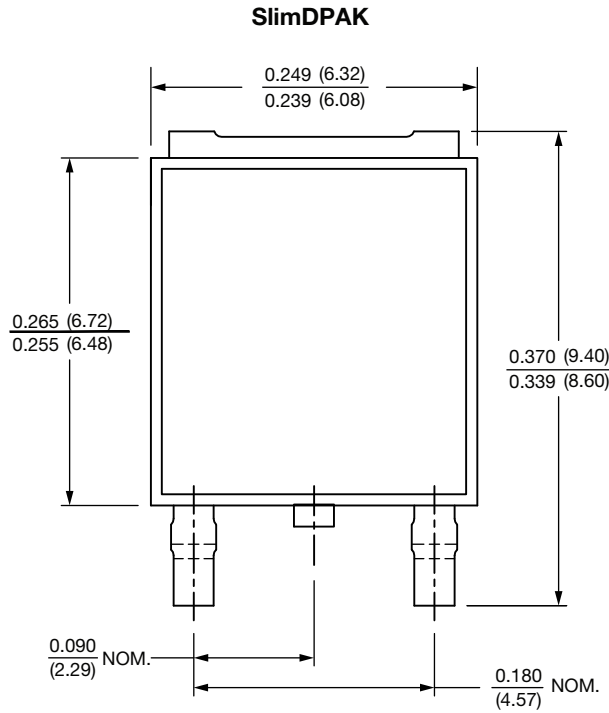




SlimDPAK

DIMENSIONS in inches (millimeters)



Mounting Pad Layout

