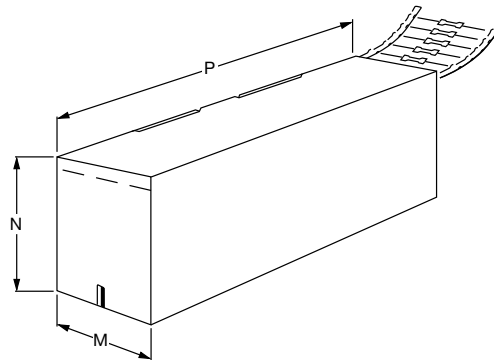
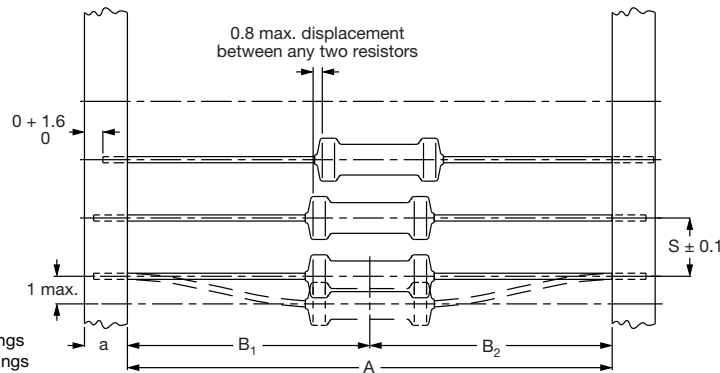


## Linear Leaded Resistors

### DIMENSIONS OF AMMOPACK



Bandolier in ammpack



Dimensions in millimeters  
 Maximum 1 mm per 10 spacings  
 Maximum 0.5 mm per 5 spacings

Axial style on tape

| DIMENSIONS in millimeters - Resistor type, quantities and packaging dimensions for axial taped in ammpack |          |                          |            |               |    |          |     |     |
|---|----------|--------------------------|------------|---------------|----|----------|-----|-----|
| PRODUCT TYPE  | QUANTITY | PACKAGING DIMENSIONS     |            |               |    |          |     |     |
|   |          | AXIAL TAPED ON BANDOLIER |            |               |    | AMMOPACK |     |     |
|   |          | a                        | A          | $ B_1 - B_2 $ | S  | M        | N   | P   |
| AC01, AC01-AT <sup>(1)</sup>  | 1000     | 6 ± 0.5                  | 63 ± 2.0   | ± 1.2         | 10 | 85       | 70  | 260 |
| AC03, AC03-AT   | 500      | 6 ± 0.5                  | 63 ± 2.0   | ± 1.2         | 10 | 85       | 58  | 260 |
| AC04, AC04-AT <sup>(1)</sup>  | 500      | 6 ± 0.5                  | 63 ± 2.0   | ± 1.2         | 10 | 85       | 70  | 260 |
|   |          |                          |            |               |    | 85       | 58  | 260 |
| AC05, AC05-AT <sup>(1)</sup>  | 500      | 6 ± 0.5                  | 63 ± 2.0   | ± 1.2         | 10 | 86       | 118 | 270 |
| AC07, AC07-AT   | 500      | 6 ± 0.5                  | 74 ± 2.0   | ± 1.2         | 10 | 90       | 118 | 265 |
| AC10, AC10-AT   | 250      | 6 ± 0.5                  | 89 ± 4.0   | ± 1.2         | 10 | 105      | 105 | 265 |
| CBB 0207  | 1000     | 6 ± 0.5                  | 52 +2 / -1 | ± 1.2         | 5  | 74       | 42  | 182 |
|   | 5000     | 6 ± 0.5                  | 52 +2 / -1 | ± 1.2         | 5  | 77       | 82  | 324 |
| MBA/SMA 0204  | 5000     | 6 ± 0.5                  | 52 +2 / -1 | ± 1.2         | 5  | 75       | 55  | 330 |
| MBB/SMA 0207 <sup>(1)</sup>   | 1000     | 6 ± 0.5                  | 52 +2 / -1 | ± 1.2         | 5  | 74       | 42  | 184 |
|   |          |                          |            |               |    | 78       | 31  | 260 |
|   | 5000     | 6 ± 0.5                  | 52 +2 / -1 | ± 1.2         | 5  | 75       | 114 | 260 |
| MBE/SMA 0414  | 1000     | 6 ± 0.5                  | 63 ± 2.0   | ± 1.2         | 5  | 47       | 84  | 374 |
|   | 100      | 6 ± 0.5                  | 52 +2 / -1 | ± 1.2         | 5  | 74       | 42  | 184 |
| MRS16   | 1000     | 6 ± 0.5                  | 52 +2 / -1 | ± 1.2         | 5  | 74       | 42  | 184 |
|   | 5000     | 6 ± 0.5                  | 52 +2 / -1 | ± 1.2         | 5  | 75       | 55  | 330 |
|   | 1000     | 6 ± 0.5                  | 52 +2 / -1 | ± 1.2         | 5  | 74       | 42  | 184 |
| MRS25 <sup>(1)</sup>  | 1000     | 6 ± 0.5                  | 52 +2 / -1 | ± 1.2         | 5  | 78       | 31  | 260 |
|   |          |                          |            |               |    | 75       | 114 | 260 |
|   | 5000     | 6 ± 0.5                  | 52 +2 / -1 | ± 1.2         | 5  | 77       | 82  | 324 |

**Note**

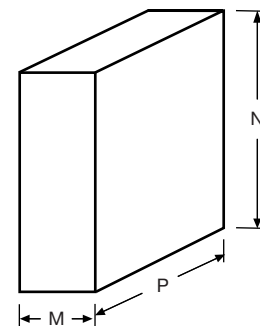
<sup>(1)</sup> Manufacturing at different production locations may involve use of differently sized box. Please contact at below email for details

| <b>DIMENSIONS</b> in millimeters - Resistor type, quantities and packaging dimensions for axial taped in ammpack |          |                          |            |               |    |          |     |     |
|--|----------|--------------------------|------------|---------------|----|----------|-----|-----|
| PRODUCT TYPE   | QUANTITY | PACKAGING DIMENSIONS     |            |               |    |          |     |     |
|  |          | AXIAL TAPED ON BANDOLIER |            |               |    | AMMOPACK |     |     |
|  |          | a                        | A          | $ B_1 - B_2 $ | S  | M        | N   | P   |
| NFR25  | 1000     | 6 ± 0.5                  | 52 +2 / -1 | ± 1.2         | 5  | 75       | 28  | 262 |
|  | 5000     | 6 ± 0.5                  | 52 +2 / -1 | ± 1.2         | 5  | 75       | 98  | 270 |
| NFR25H   | 1000     | 6 ± 0.5                  | 52 +2 / -1 | ± 1.2         | 5  | 75       | 28  | 262 |
|  | 5000     | 6 ± 0.5                  | 52 +2 / -1 | ± 1.2         | 5  | 75       | 98  | 270 |
| PAC01  | 1000     | 6 ± 0.5                  | 63 ± 2.0   | ± 1.2         | 10 | 85       | 58  | 260 |
| PAC02  | 500      | 6 ± 0.5                  | 63 ± 2.0   | ± 1.2         | 10 | 85       | 58  | 260 |
| PAC03  | 500      | 6 ± 0.5                  | 63 ± 2.0   | ± 1.2         | 10 | 85       | 70  | 260 |
| PAC04  | 500      | 6 ± 0.5                  | 63 ± 2.0   | ± 1.2         | 10 | 86       | 118 | 270 |
| PAC05  | 500      | 6 ± 0.5                  | 71 ± 1.0   | ± 1.2         | 10 | 90       | 118 | 265 |
| PAC06  | 500      | 6 ± 0.5                  | 71 ± 1.0   | ± 1.2         | 10 | 90       | 118 | 265 |
| PR01   | 1000     | 6 ± 0.5                  | 52 +2 / -1 | ± 1.2         | 5  | 78       | 31  | 260 |
|  | 5000     | 6 ± 0.5                  | 52 +2 / -1 | ± 1.2         | 5  | 75       | 114 | 260 |
| PR02   | 1000     | 6 ± 0.5                  | 52 +2 / -1 | ± 1.2         | 5  | 80       | 72  | 260 |
| PR03   | 500      | 6 ± 0.5                  | 63 ± 2.0   | ± 1.2         | 10 | 83       | 58  | 256 |
| SFR16S <sup>(1)</sup>  | 1000     | 6 ± 0.5                  | 52 +2 / -1 | ± 1.2         | 5  | 75       | 28  | 262 |
|  | 5000     | 6 ± 0.5                  | 52 +2 / -1 | ± 1.2         | 5  | 75       | 73  | 270 |
| SFR25 <sup>(1)</sup>   | 1000     | 6 ± 0.5                  | 52 +2 / -1 | ± 1.2         | 5  | 78       | 31  | 260 |
|  | 5000     | 6 ± 0.5                  | 52 +2 / -1 | ± 1.2         | 5  | 75       | 114 | 260 |
| SFR25H <sup>(1)</sup>  | 1000     | 6 ± 0.5                  | 52 +2 / -1 | ± 1.2         | 5  | 78       | 31  | 260 |
|  | 5000     | 6 ± 0.5                  | 52 +2 / -1 | ± 1.2         | 5  | 75       | 114 | 260 |
| UXA 0204   | 100      | 6 ± 0.5                  | 52 +2 / -1 | ± 1.2         | 5  | 74       | 42  | 184 |
|  | 1000     | 6 ± 0.5                  | 52 +2 / -1 | ± 1.2         | 5  | 74       | 42  | 184 |
|  | 5000     | 6 ± 0.5                  | 52 +2 / -1 | ± 1.2         | 5  | 75       | 55  | 330 |
| UXB 0207<br>MPR24  | 100      | 6 ± 0.5                  | 52 +2 / -1 | ± 1.2         | 5  | 75       | 40  | 187 |
|  | 1000     | 6 ± 0.5                  | 52 +2 / -1 | ± 1.2         | 5  | 75       | 40  | 187 |
|  | 5000     | 6 ± 0.5                  | 52 +2 / -1 | ± 1.2         | 5  | 77       | 82  | 324 |
| UXE 0414   | 100      | 6 ± 0.5                  | 63 ± 2.0   | ± 1.2         | 5  | 47       | 84  | 374 |
|  | 1000     | 6 ± 0.5                  | 63 ± 2.0   | ± 1.2         | 5  | 47       | 84  | 374 |
| VR25, HVR25  | 1000     | 6 ± 0.5                  | 52 +2 / -1 | ± 1.2         | 5  | 75       | 31  | 260 |
|  | 5000     | 6 ± 0.5                  | 52 +2 / -1 | ± 1.2         | 5  | 76       | 105 | 265 |
| VR37, HVR37  | 1000     | 6 ± 0.5                  | 52 +2 / -1 | ± 1.2         | 5  | 75       | 60  | 260 |
| VR68   | 500      | 5 ± 0.5                  | 66.7 ± 1.5 | ± 1.2         | 10 | 165      | 76  | 258 |
| WK2  | 2000     | 6 ± 0.5                  | 52 +2 / -1 | ± 1.2         | 5  | 72       | 55  | 258 |
|  | 5000     | 6 ± 0.5                  | 52 +2 / -1 | ± 1.2         | 5  | 75       | 114 | 260 |
| WR4  | 1000     | 6 ± 0.5                  | 73 ± 2.0   | ± 1.2         | 5  | 95       | 57  | 260 |
| AC01-CS  | 500      | 6 ± 0.5                  | 63 ± 2.0   | ± 1.2         | 5  | 72       | 85  | 260 |
| AC03-CS  | 500      | 6 ± 0.5                  | 63 ± 2.0   | ± 1.2         | 5  | 85       | 120 | 270 |
| AC05-CS  | 250      | 6 ± 0.5                  | 83 ± 2.0   | ± 1.2         | 10 | 87       | 110 | 325 |
|  |          |                          | 93 ± 2.0   |               |    | 87       | 120 | 325 |

**Note**

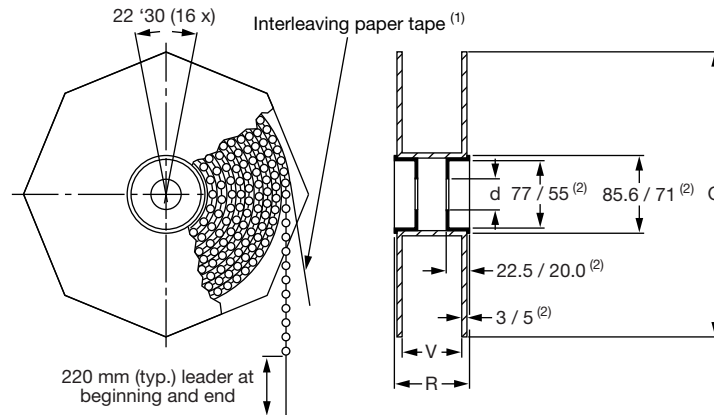
<sup>(1)</sup> Packing of 1000 pieces (packing code A1) is only available with 5 % tolerance products

| <b>DIMENSIONS OF OUTER PACKAGING BOX FOR AXIAL TAPED BANDOLIER ON REEL</b> |          |  |        |        |
|--|----------|--|--------|--------|
| PRODUCT TYPE   | QUANTITY | OUTER PACKAGING DIMENSIONS (for Bandolier on reel) |        |        |
|  |          | M (mm)   | N (mm) | P (mm) |
| SFR16S   | 5000     | 92   | 278    | 278    |
| SFR25  | 5000     | 93   | 300    | 298    |
| SFR25H   | 5000     | 93   | 300    | 298    |
| NFR25  | 5000     | 92   | 311    | 311    |
| NFR25H   | 5000     | 92   | 311    | 311    |
| VR25, HVR25  | 5000     | 93   | 300    | 298    |
| VR37, HVR37  | 5000     | 90   | 375    | 375    |
| VR68   | 750      | 105  | 315    | 305    |
| PR01, WK2  | 5000     | 93   | 300    | 298    |
| PR02   | 5000     | 90   | 375    | 375    |
| MBB0207  | 5000     | 93   | 300    | 298    |
| MRS25  | 5000     | 93   | 300    | 298    |
| WR4  | 2500     | 105  | 315    | 305    |
| AC05, AC05-AT  | 500      | 90   | 257    | 260    |



**Note**

- Reel packing for MRS25 and MBB0207 does not have outer packaging box for Sokolov, CZ produced parts

**DIMENSIONS OF REEL** in millimeters

**Notes**

- Dimension d is mounting bush inner diameter
- (1) Interleaving tape typical specifications for MBA/SMA 0204 series: width 65 mm to 75 mm, thickness 80  $\mu$ m, tensile strength: lengthwise 118 Nm/g, crosswise 51 Nm/g
- (2) Dimensions for AC05, AC05-AT

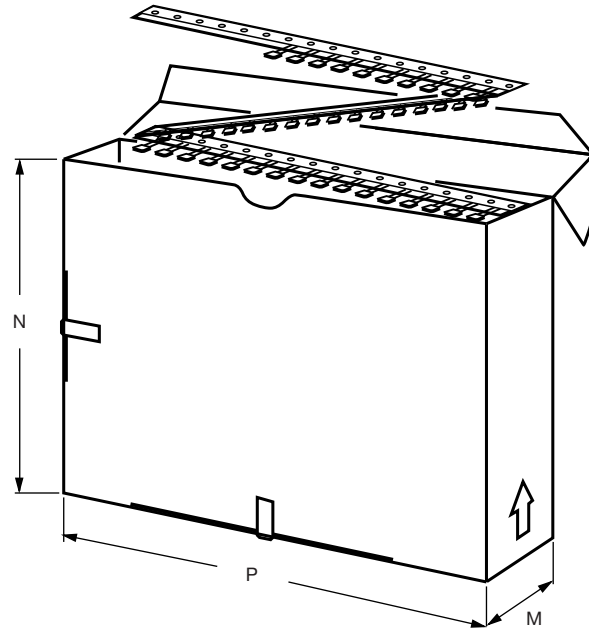
| <b>DIMENSIONS</b> in millimeters - Resistor type, quantities and packaging dimensions for axial taped on reel |          |                      |    |     |             |
|---|----------|----------------------|----|-----|-------------|
| PRODUCT TYPE  | QUANTITY | PACKAGING DIMENSIONS |    |     |             |
|   |          | REEL                 |    |     |             |
|   |          | Q                    | V  | R   | d (nominal) |
| MBA/SMA 0204  | 5000     | 242                  | 70 | 80  | 26.40       |
| MBB/SMA 0207 (1)  | 5000     | 298                  | 75 | 86  | 30.0        |
|   |          | 315                  | 70 | 80  | 26.40       |
| MBE/SMA 0414  | 2500     | 315                  | 80 | 90  | 26.40       |
| MRS25 (1)   | 5000     | 298                  | 75 | 86  | 30.0        |
|   |          | 315                  | 70 | 80  | 26.40       |
| NFR25   | 5000     | 305                  | 75 | 86  | 30.0        |
| NFR25H  | 5000     | 305                  | 75 | 86  | 30.0        |
| PR01, WK2   | 5000     | 298                  | 75 | 86  | 30.0        |
| PR02  | 5000     | 367                  | 75 | 86  | 30.0        |
| SFR16S  | 5000     | 265                  | 75 | 86  | 30.0        |
| SFR25   | 5000     | 298                  | 75 | 86  | 30.0        |
| SFR25H  | 5000     | 298                  | 75 | 86  | 30.0        |
| UXA 0204  | 1000     | 242                  | 70 | 80  | 26.40       |
| UXB 0207<br>MPR24   | 1000     | 242                  | 70 | 80  | 26.40       |
|   | 5000     | 315                  | 76 | 86  | 26.40       |
| UXE 0414  | 1000     | 315                  | 80 | 90  | 26.40       |
| VR25, HVR25   | 5000     | 298                  | 75 | 86  | 30.0        |
| VR37, HVR37   | 5000     | 367                  | 75 | 86  | 30.0        |
| VR68  | 750      | 298                  | 90 | 100 | 30.0        |
| WR4   | 2500     | 298                  | 90 | 100 | 30.0        |
| AC05, AC05-AT   | 500      | 271                  | 80 | 90  | 20.0        |

**Note**

- (1) Manufacturing at different production locations may use differently sized reel. Please contact the below email for details

**DIMENSIONS OF REEL PACKAGING (RADIAL TAPED)**

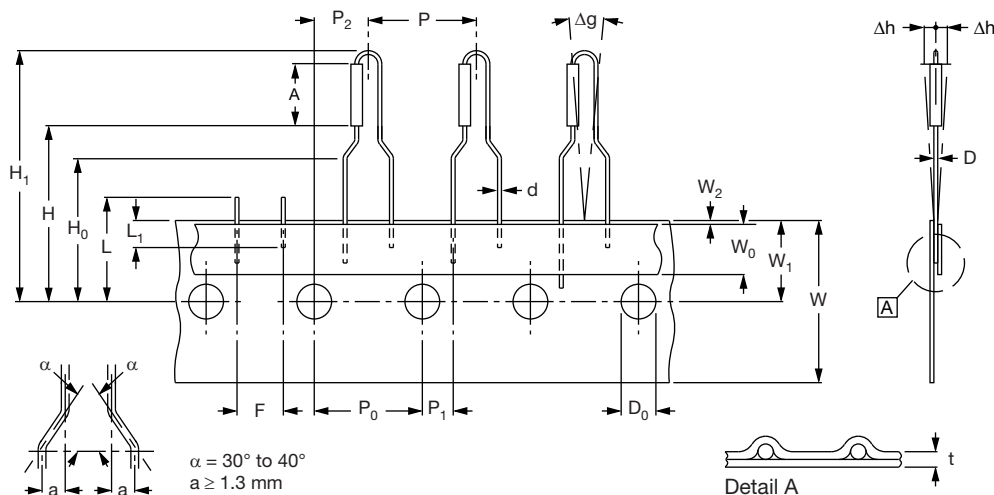
| <b>DIMENSIONS</b> in millimeters - Resistor type, quantities and dimensions of the packaging for radial taped in reel packaging |          |                      |    |    |
|---|----------|----------------------|----|----|
| PRODUCT TYPE  | QUANTITY | PACKAGING DIMENSIONS |    |    |
|   |          | REEL                 |    |    |
|   |          | Q                    | V  | R  |
| MBB/SMA 0207  | 4000     | 355                  | 45 | 50 |
| PR02  | 2000     | 367                  | 43 | 53 |

**DIMENSIONS OF AMMOPACK (RADIAL TAPED)** in millimeters


Dimensions of ammpack (radial taped)

**DIMENSIONS OF AMMOPACK (RADIAL TAPED)**

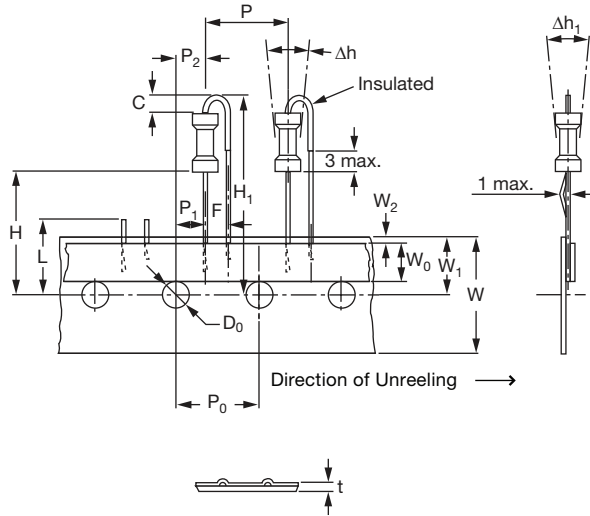
| <b>DIMENSIONS</b> in millimeters - Resistor type, quantities and dimensions of the packaging for radial taped in ammpack |          |                      |     |     |
|--|----------|----------------------|-----|-----|
| PRODUCT TYPE   | QUANTITY | PACKAGING DIMENSIONS |     |     |
|  |          | AMMOPACK             |     |     |
|  |          | M                    | N   | P   |
| SFR25  | 4000     | 48                   | 253 | 330 |
| NFR25  | 4000     | 48                   | 253 | 330 |
| NFR25H   | 4000     | 48                   | 253 | 330 |
| PR01   | 4000     | 48                   | 253 | 330 |
| VR25   | 4000     | 48                   | 253 | 330 |
| PR02   | 3000     | 48                   | 253 | 330 |
| MBB/SMA 0207   | 4000     | 48                   | 253 | 330 |

**PRODUCTS WITH RADIAL LEADS (SFR25, SFR25H, NFR25, NFR25H, VR25, PR01, PR02)**


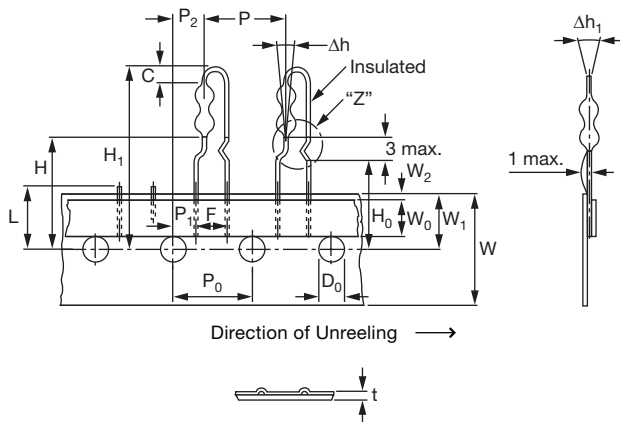
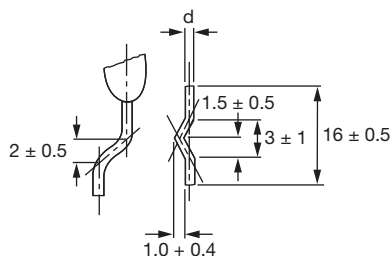
Bandolier for types with radial leads



| TAPING PARAMETERS in millimeters |   |              |                                    |           |
|----------------------------------|---|--------------|------------------------------------|-----------|
| SYMBOL                           | PARAMETER                                       |              | VALUE                              | TOLERANCE |
| D                                | Maximum body diameter                           |              | See detailed product specification |           |
| A                                | Maximum body length                             |              |                                    |           |
| d                                | Lead wire diameter                              |              |                                    |           |
| H <sub>1</sub>                   | Component height                                | SFR25        | 29                                 | max.      |
|                                  |   | NFR25        | 29                                 | max.      |
|                                  |   | NFR25H       | 29                                 | max.      |
|                                  |   | PR01         | 29                                 | max.      |
|                                  |   | VR25         | 29                                 | max.      |
|                                  |   | PR02         | 29                                 | ± 3.0     |
|                                  |   | MBB/SMA 0207 | 28                                 | max.      |
| P                                | Pitch of components                             |              | 12.7                               | ± 1.0     |
| P <sub>0</sub>                   | Feed-hole pitch                                 |              | 12.7                               | ± 0.2     |
|                                  | Cumulative pitch error per 20 spacings          |              | 1.0                                |           |
| P <sub>1</sub>                   | Feed-hole center to lead at topside at the tape |              | 3.85                               | ± 0.5     |
| P <sub>2</sub>                   | Feed-hole center to body center                 |              | 6.35                               | ± 1.0     |
| F                                | Lead-to-lead distance                           |              | 4.8                                | +0.7/-0   |
| Δh                               | Component alignment                             |              | 0                                  | ± 1.2     |
| Δg                               | Component alignment                             |              | 0                                  | ± 3°      |
| W                                | Tape width                                      |              | 18.0                               | ± 0.5     |
| W <sub>0</sub>                   | Minimum hold down tape width                    |              | 5.5                                | -         |
| W <sub>1</sub>                   | Hole position                                   |              | 9.0                                | ± 0.5     |
| W <sub>2</sub>                   | Maximum hold down tape position                 |              | 0.5                                | -         |
| H <sub>0</sub>                   | Lead wire clinch height                         |              | 16.5                               | ± 0.5     |
| H                                | Height of component from tape center            |              | 19.5                               | ± 1       |
| D <sub>0</sub>                   | Feed-hole diameter                              |              | 4.0                                | ± 0.2     |
| t                                | Total tape thickness                            |              | 0.4                                | -0/+0.5   |
| L                                | Maximum length of snipped lead                  |              | 11.0                               | -         |
| L <sub>1</sub>                   | Minimum lead wire (tape portion) shortest lead  |              | 2.5                                | -         |

**MBB/SMA 0207 WITH RADIAL TAPED ON REEL**
**LEAD SPACING (UB) 2.5 mm, SIZE 0207**


| DIMENSIONS in millimeters                        |                |          | TOL.        |
|--|----------------|----------|-------------|
| Lead $\varnothing$                               | d              | 0.6      | -           |
| Pitch of components                              | P              | 12.7     | $\pm 1.0$   |
| Pitch of sprocket holes <sup>(1)</sup>           | P <sub>0</sub> | 12.7     | $\pm 0.3$   |
| Distance between hole center and lead center     | P <sub>1</sub> | 5.1      | $\pm 0.7$   |
| Distance between hole center and resistor center | P <sub>2</sub> | 5.1      | $\pm 0.7$   |
| Lead Spacing                                     | F              | 2.5      | +0.6, -0.1  |
| Angle of insertion                               | $\Delta h$     | 1.3 max. | -           |
| Angle of insertion                               | $\Delta h_1$   | 2 max.   | -           |
| Width of carrier tape                            | W              | 18.0     | +1, -0.5    |
| Width of adhesive tape                           | W <sub>0</sub> | 6.0      | $\pm 0.5$   |
| Position of holes                                | W <sub>1</sub> | 9.0      | +0.75, -0.5 |
| Position of adhesive tape                        | W <sub>2</sub> | 0.5      | +0.5, -0    |
| Body to hole center <sup>(2)</sup>               | H              | 18.0     | $\pm 2, -0$ |
| Hole $\varnothing$                               | D <sub>0</sub> | 4.0      | +0.2        |
| Thickness of tape <sup>(3)</sup>                 | t              | 0.9 max. | -           |
| Height for cutting                               | L              | 11 max.  | -           |
| Height for bending                               | C              | 2.5      | +0, -0.5    |
| Height for insertion                             | H <sub>1</sub> | 32 max.  | -           |

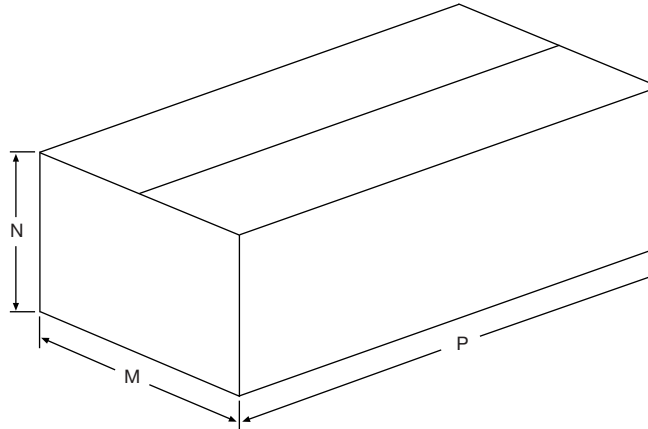
**LEAD SPACING (RB) 5.0 mm, SIZE 0207**

**Area "Z"**


| DIMENSIONS in millimeters                        |                |          | TOL.        |
|--|----------------|----------|-------------|
| Lead $\varnothing$                               | d              | 0.6      | -           |
| Pitch of components                              | P              | 12.7     | $\pm 1.0$   |
| Tape pitch                                       | P <sub>0</sub> | 12.7     | $\pm 0.3$   |
| Distance between hole center and lead center     | P <sub>1</sub> | 3.85     | $\pm 0.7$   |
| Distance between hole center and resistor center | P <sub>2</sub> | 6.35     | $\pm 0.7$   |
| Lead spacing                                     | F              | 5.0      | +0.6, -0.1  |
| Angle of insertion                               | $\Delta h$     | 1.3 max. | -           |
| Angle of insertion                               | $\Delta h_1$   | 2 max.   | -           |
| Width of carrier tape                            | W              | 18.0     | +1, -0.5    |
| Width of adhesive tape                           | W <sub>0</sub> | 6.0      | $\pm 0.5$   |
| Position of holes                                | W <sub>1</sub> | 9.0      | +0.75, -0.5 |
| Position of adhesive tape                        | W <sub>2</sub> | 0.5      | +0.5, -0    |
| Body to hole center <sup>(2)</sup>               | H              | 18.0     | +2, -0      |
| Lead crimp to hole center <sup>(2)</sup>         | H <sub>0</sub> | 16.0     | $\pm 0.5$   |
| Hole $\varnothing$                               | D <sub>0</sub> | 4.0      | $\pm 0.2$   |
| Thickness of tape <sup>(3)</sup>                 | t              | 0.9 max. | -           |
| Height for cutting                               | L              | 11 max.  | -           |
| Height for bending                               | C              | 2.5      | +0, -0.5    |
| Height for insertion                             | H <sub>1</sub> | 32 max.  | -           |

**Notes**

- (2) Test over 10 holes - 9 intervals P<sub>0</sub> 12 x 9 = 114.3  $\pm$  0.5
- (3) Parallelism, < 0.5 mm
- (4) Thickness of carrier tape: 0.55 mm  $\pm$  0.1 mm

## DIMENSIONS OF BOX (FOR LOOSE PACKAGING) - HPR, PR01, PR02, PR03



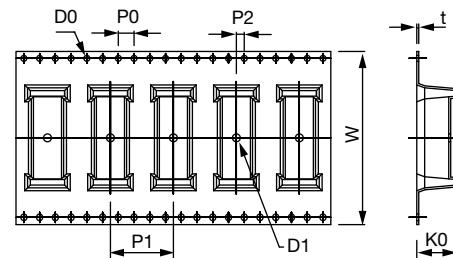
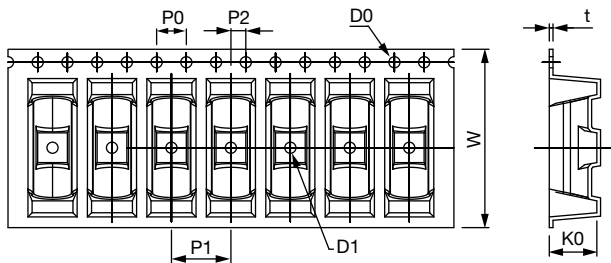
Dimensions of box

| <b>DIMENSIONS</b> in millimeters - Resistor type, quantities and dimensions of the packaging in box |          |                      |        |        |
|---|----------|----------------------|--------|--------|
| PRODUCT TYPE  | QUANTITY | PACKAGING DIMENSIONS |        |        |
|   |          | LOOSE IN BOX         |        |        |
|   |          | M (mm)               | N (mm) | P (mm) |
| HPR 1/2   | 1000     | 105                  | 70     | 205    |
| HPR1  | 500      | 105                  | 70     | 205    |
| PR01 formed   | 1000     | 105                  | 70     | 205    |
| PR02 formed   | 1000     | 105                  | 70     | 205    |
| PR03 formed   | 500      | 105                  | 70     | 205    |

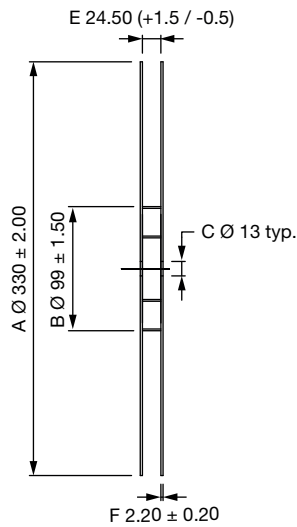
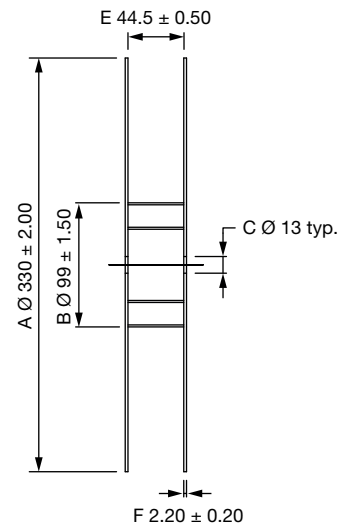
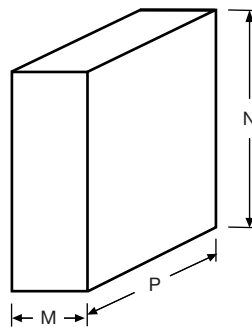
## DIMENSIONS OF BLISTER TAPE

AC01 WSZ, AC01-AT WSZ, AC03 WSZ, AC03-AT WSZ

AC05 WSZ, AC05-AT WSZ



| <b>DIMENSIONS</b> in millimeters - Resistor type, quantities, and packaging dimensions for blister tape |                   |                      |              |             |                  |                   |              |              |             |
|---|-------------------|----------------------|--------------|-------------|------------------|-------------------|--------------|--------------|-------------|
| PRODUCT TYPE  | QUANTITY PER REEL | PACKAGING DIMENSIONS |              |             |                  |                   |              |              |             |
|   |                   | P0                   | P1           | P2          | D0               | D1                | W            | K0           | t           |
| AC01 WSZ  | 1250              | 4.00 ± 0.10          | 8.00 ± 0.10  | 2.00 ± 0.10 | 1.50 +0.10, -0.0 | 1.50 ± 0.10       | 24.00 ± 0.30 | 6.05 ± 0.10  | 0.50 ± 0.05 |
| AC01-AT WSZ   |                   |                      |              |             |                  |                   |              |              |             |
| AC03 WSZ  | 1250              | 4.00 ± 0.10          | 8.00 ± 0.10  | 2.00 ± 0.10 | 1.50 +0.10, -0.0 | 1.50 +0.10 / -0.0 | 24.00 ± 0.30 | 6.40 ± 0.10  | 0.50 ± 0.05 |
| AC03-AT WSZ   |                   |                      |              |             |                  |                   |              |              |             |
| AC05 WSZ  | 350               | 4.00 ± 0.10          | 16.00 ± 0.10 | 2.00 ± 0.15 | 1.50 +0.10, -0.0 | 2.00 +0.10, -0.0  | 44.00 ± 0.30 | 10.10 ± 0.10 | 0.50 ± 0.05 |
| AC05-AT WSZ   |                   |                      |              |             |                  |                   |              |              |             |

**DIMENSIONS OF BLISTER TAPE PLASTIC REEL**
**AC01 WSZ, AC01-AT WSZ, AC03 WSZ, AC03-AT WSZ**

**AC05 WSZ, AC05-AT WSZ**

**DIMENSIONS OF OUTER PACKAGING BOX FOR BLISTER TAPED REEL**


| PRODUCT TYPE | QUANTITY PER REEL | PACKAGING DIMENSIONS |        |        |
|--------------|-------------------|----------------------|--------|--------|
|              |                   | M (mm)               | N (mm) | P (mm) |
| AC01 WSZ     | 1250              | 35                   | 350    | 340    |
| AC01-AT WSZ  |                   |                      |        |        |
| AC03 WSZ     |                   |                      |        |        |
| AC03-AT WSZ  |                   |                      |        |        |
| AC05 WSZ     | 350               | 55                   | 350    | 340    |
| AC05-AT WSZ  |                   |                      |        |        |