

## Single-Turn Continuous Rotation Analog Displacement Sensors



### FEATURES

- Conductive plastic potentiometer technology, infinite resolution
- Servo mount anodized light alloy housing
- Precious metal contacts
- Stainless steel shaft and bearings
- Applicable standards: NFC 93255, MIL R39023

### DESIGN SUPPORT TOOLS AVAILABLE



### QUICK REFERENCE DATA

Sensor type	ROTATIONAL, conductive plastic
Output type	Output by turrets
Market appliance	Industrial, avionics
Dimensions	Ø 36, Ø 44, Ø 50, Ø 76

### ELECTRICAL SPECIFICATIONS

PARAMETER	POHR36	POHR44	POTH44	POTH50	POTH76
Theoretical electrical travel (TET)	350° ± 3°	350° ± 3°		350° ± 3°	350° ± 1°
Theoretical electrical travel (on request)	-	62.5° 90° 120° 120° 182.5° 210°	90°	-	-
Useful electrical travel (on request)	-	60° 90° 90° 119° 180° 180°	89°	-	-
Standard linearity (≤)	± 0.5 %	± 0.5 %		± 0.25 %	± 0.1 %
Optional linearity (≤)	± 0.25 %, ± 0.1 %, ± 0.05 %	± 0.4 %, ± 0.25 %, ± 0.1 %, ± 0.05 %, ± 0.04 %		± 0.1 %, ± 0.05 %, ± 0.03 %	± 0.05 %, ± 0.02 %
Total resistance range (E3)	4.7 kΩ or 10 kΩ	4.7 kΩ or 10 kΩ		4.7 kΩ or 10 kΩ	4.7 kΩ or 10 kΩ
Tolerance on R <sub>n</sub>	± 10 %, optional: ± 20 %, ± 15 %, ± 5 %				
Output smoothness	< 0.1 % (on request: 0.5 %, 0.05 %, 0.025 %)				
Power rating at 70 °C	2 W	2.5 W	2.5 W	3 W	4 W
Temperature coefficient	-300 ± 300 ppm/°C				
Wiper current	≤ 1 mA				
Recommended load impedance	≥ 1000 R <sub>n</sub>				
Insulation resistance	≥ 10 GΩ at 500 V <sub>DC</sub>				
Dielectric strength	1000 V <sub>RMS</sub> , 50 Hz, 1 min				

### MECHANICAL SPECIFICATIONS

PARAMETER	POHR36	POHR44	POTH44	POTH50	POTH76	
Size	15	18	18	20	30	
Running and starting torque (cN cm)	first stage	20	20	20	25	35
	additional stage	18	18	18	22	30
Moment of inertia (g cm <sup>2</sup> )	first stage	≤ 2.2	≤ 2.6	≤ 6	≤ 8	≤ 20
	additional stage	0.6	≤ 0.6	≤ 5	≤ 6	≤ 17
Weight (g)	first stage	50	80	100	100	230
	additional stage	12	12	50	55	80
Protection class	IP50					



PERFORMANCE	
PARAMETER	
Life	25M cycles
Temperature range	-55 °C to +125 °C
Rotation speed	600 rpm

**Note**

- Nothing stated herein shall be construed as a guarantee of quality or durability.

SAP PART NUMBERING GUIDELINES						
MODEL	SIZE (mm)	GANG	VALUE	LINEARITY	ANGLE	PACKAGING
POTH	44	1	472 = 4K7	B = 0.5 % C = 0.25 % D = 0.1 % E = 0.05 % (see "Electrical Specifications")	350	b = box
	50	2	103 = 10K			
	76	3				
POHR	36 44	4				
		5				
		6				
		7				
		8				
(max. number of stages: see "Dimensions")						

**DIMENSIONS** in millimeters

**POHR36**

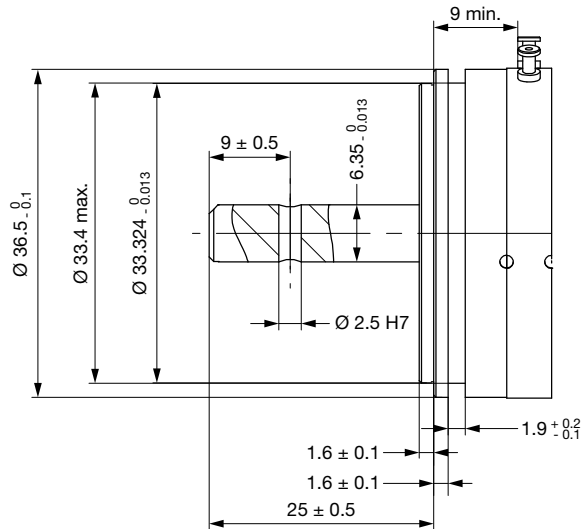
Number of cups:	1	2	3	4	5	6	7	8
L:	21	26	31	36	41	46	51	56



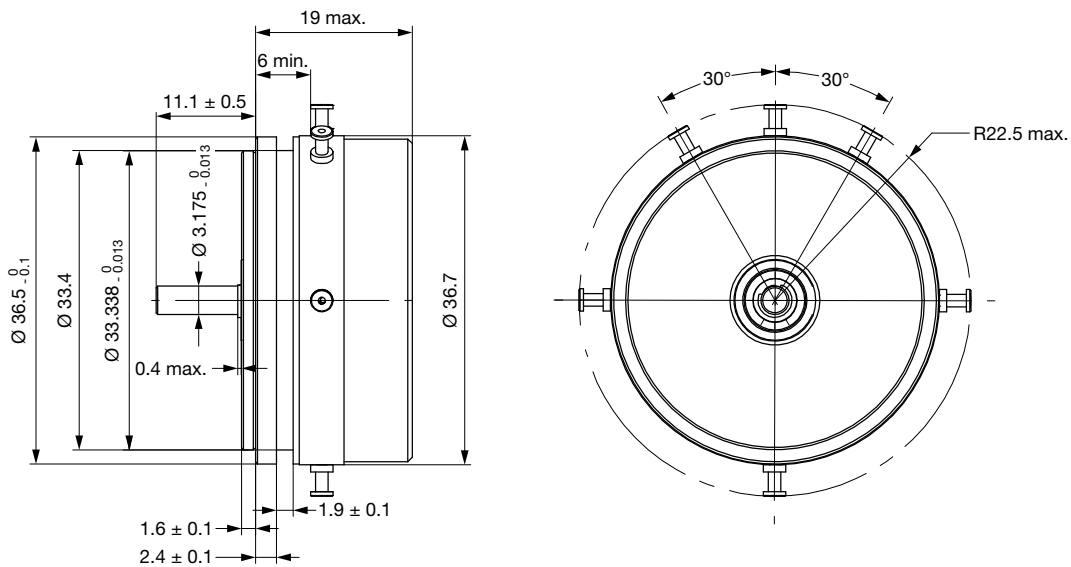
**DIMENSIONS** in millimeters

**DESIGNS ON REQUEST FOR POHR36**

**OPTION 1**



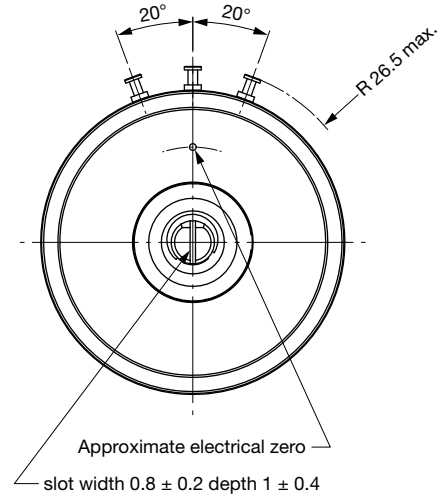
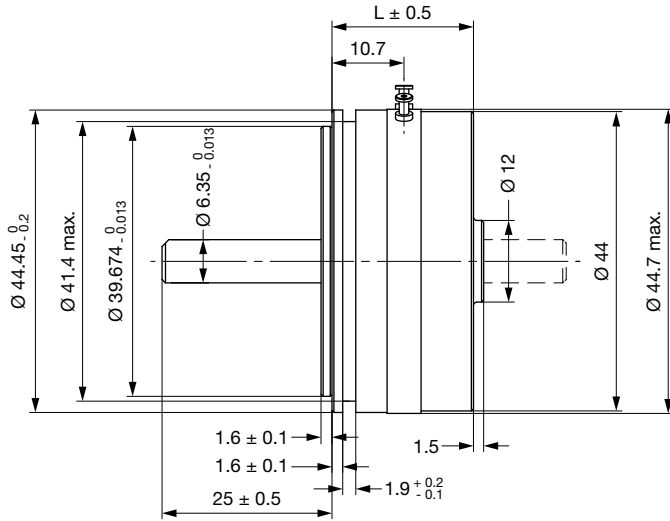
**OPTION 2**





**DIMENSIONS** in millimeters

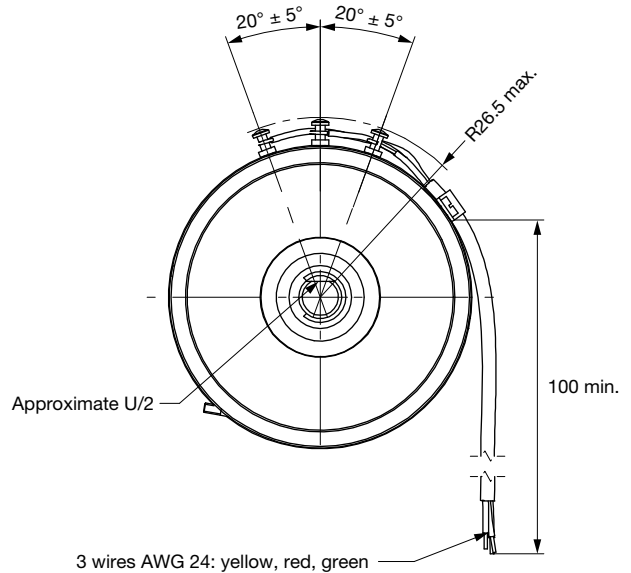
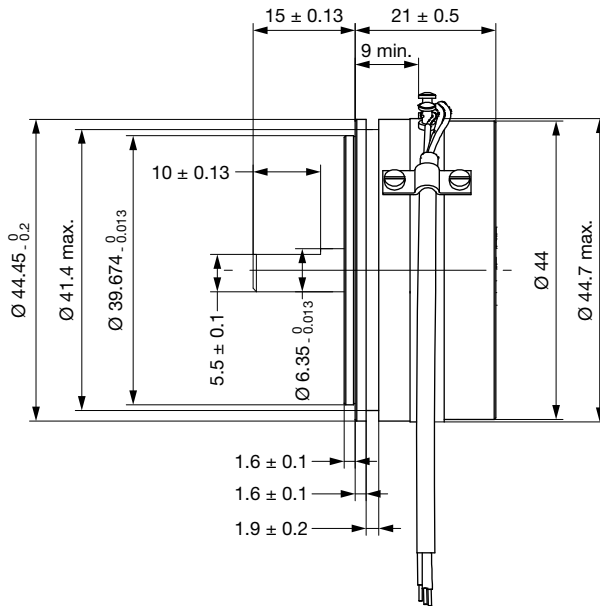
**POHR44**



Number of cups:	1	2	3	4	5	6	7	8
L:	21	26	31	36	41	46	51	56

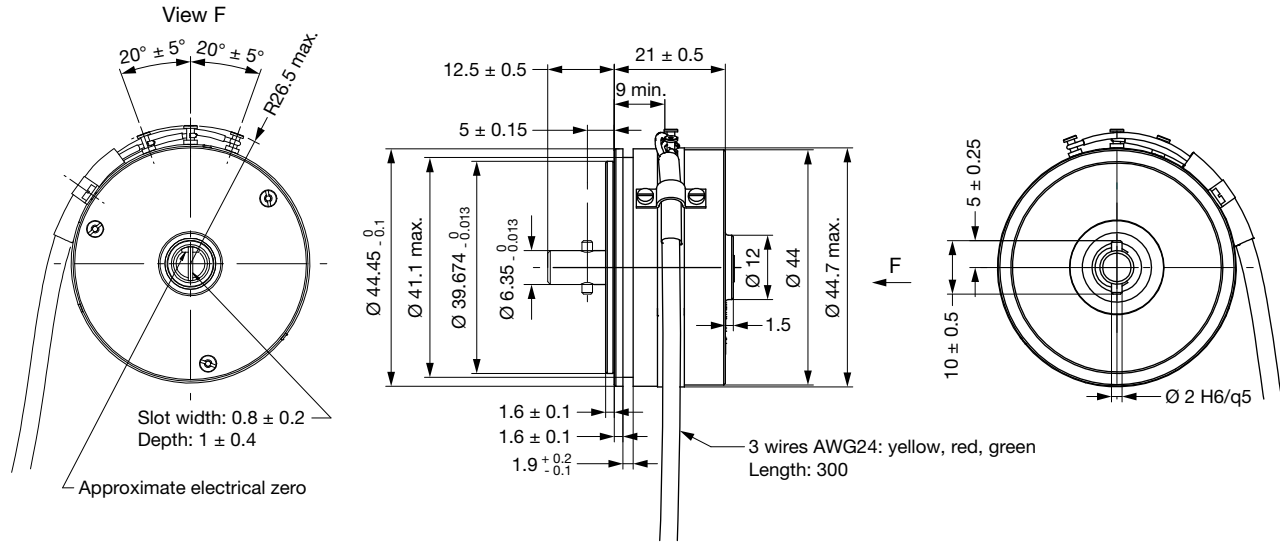
**DESIGNS ON REQUEST FOR POHR44**

**OPTION 1**

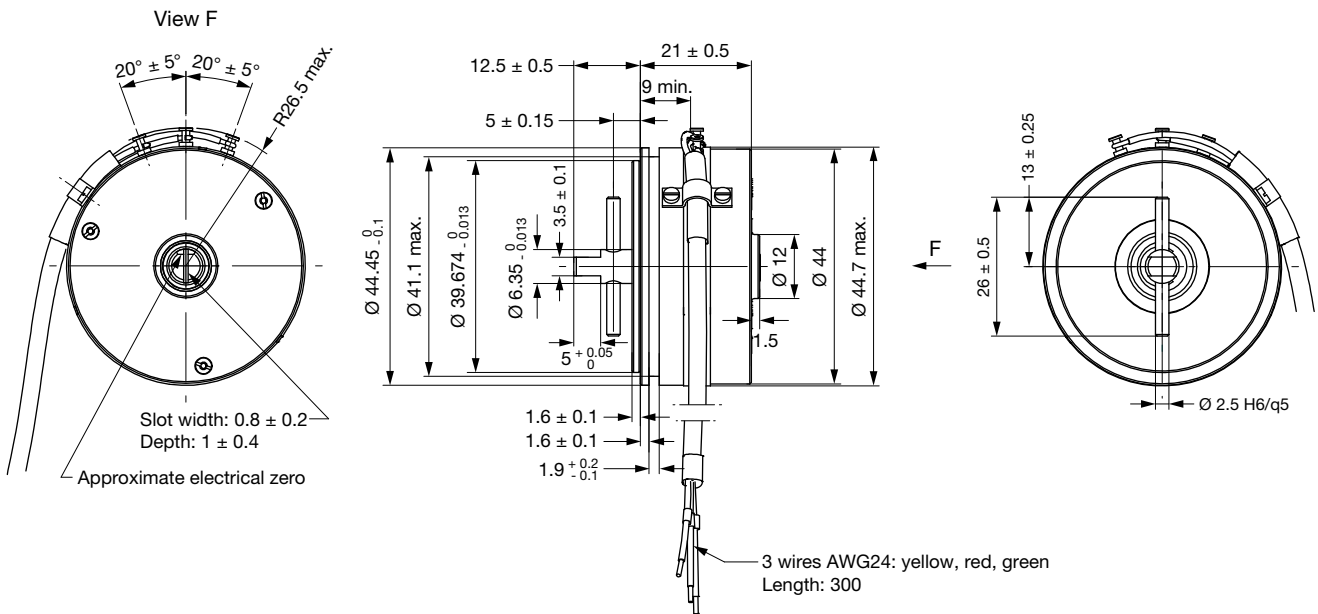


**DIMENSIONS in millimeters**

**OPTION 2**

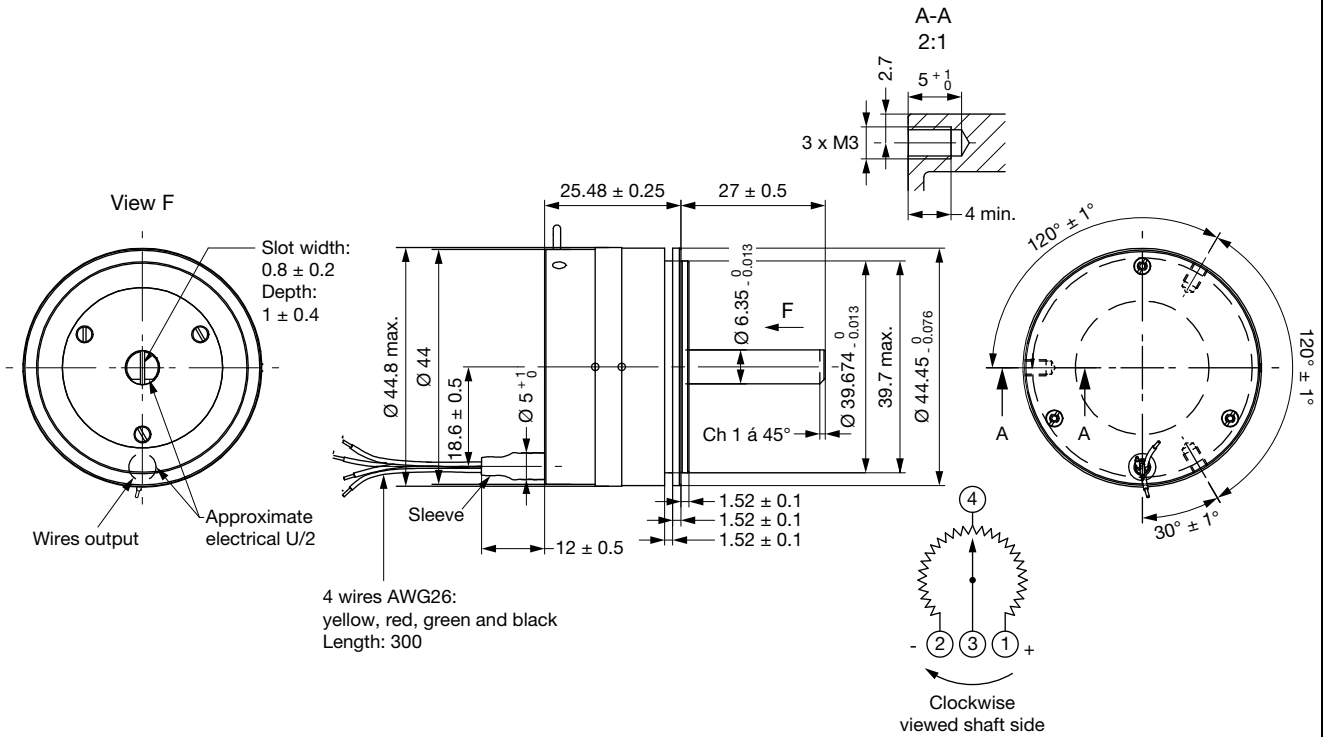


**OPTION 3**

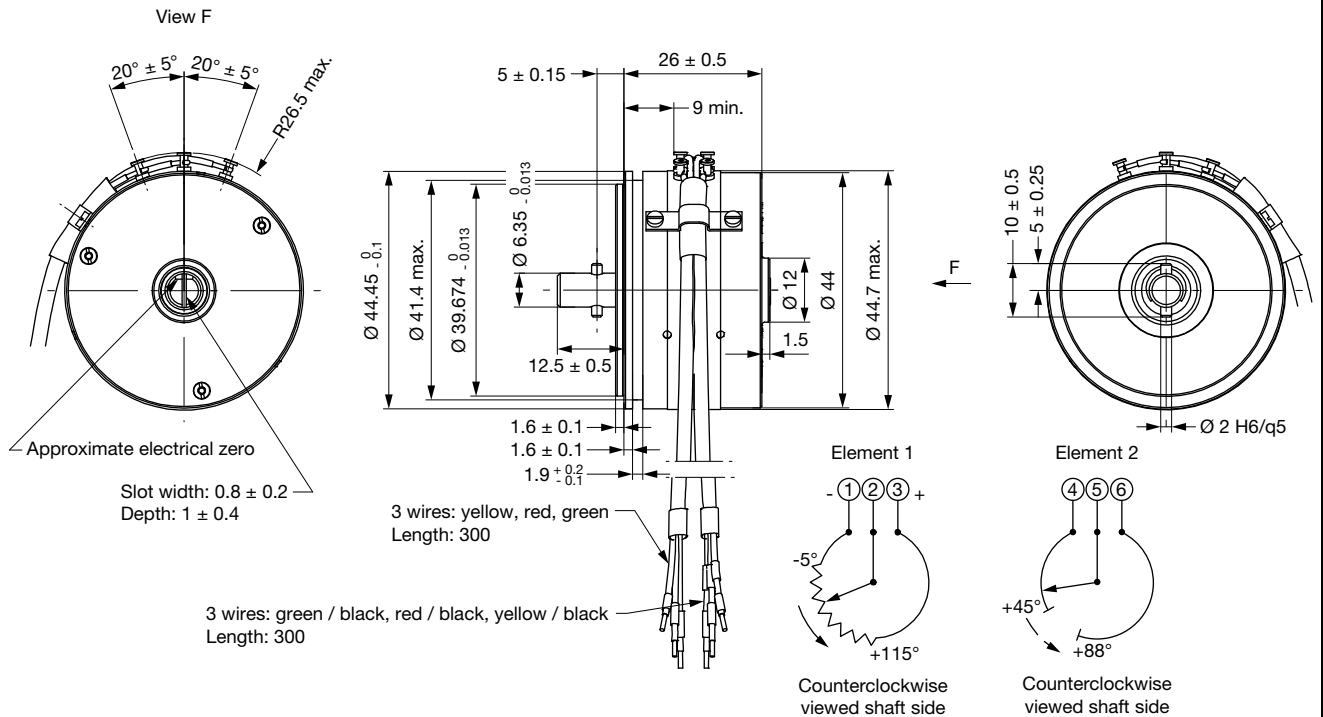


**DIMENSIONS** in millimeters

**OPTION 4**

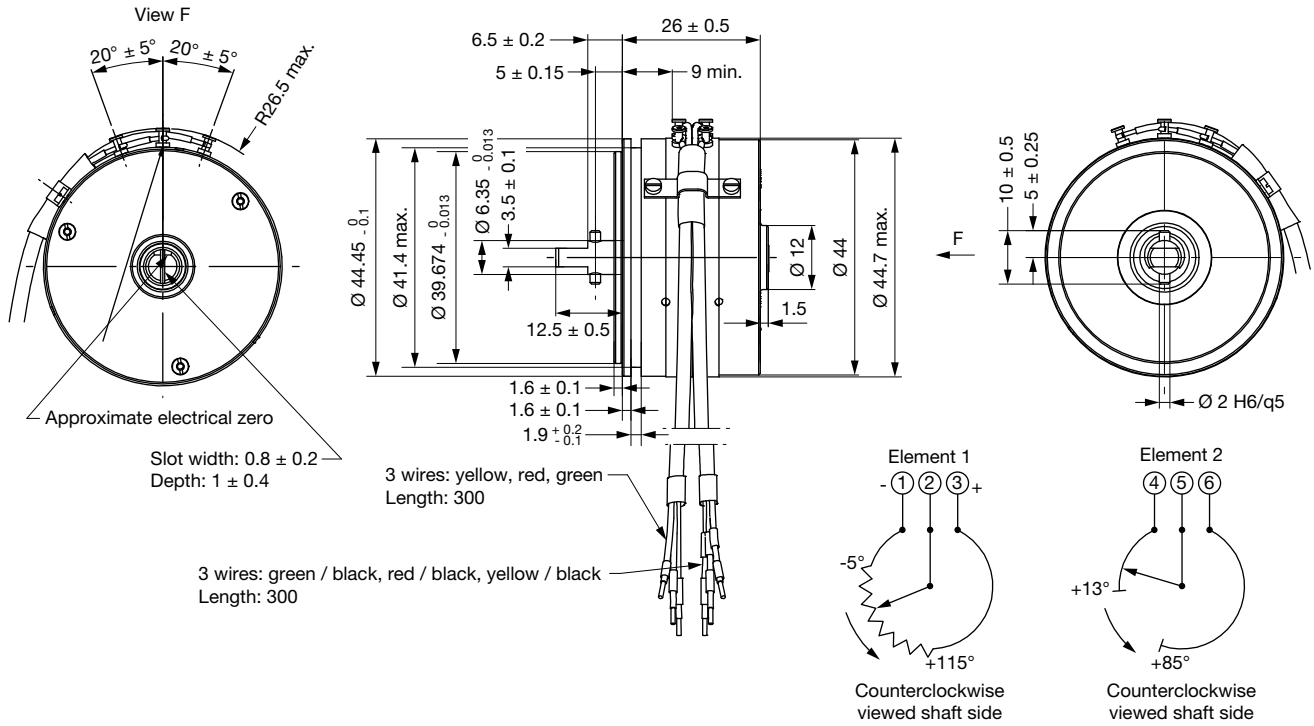


**OPTION 5**

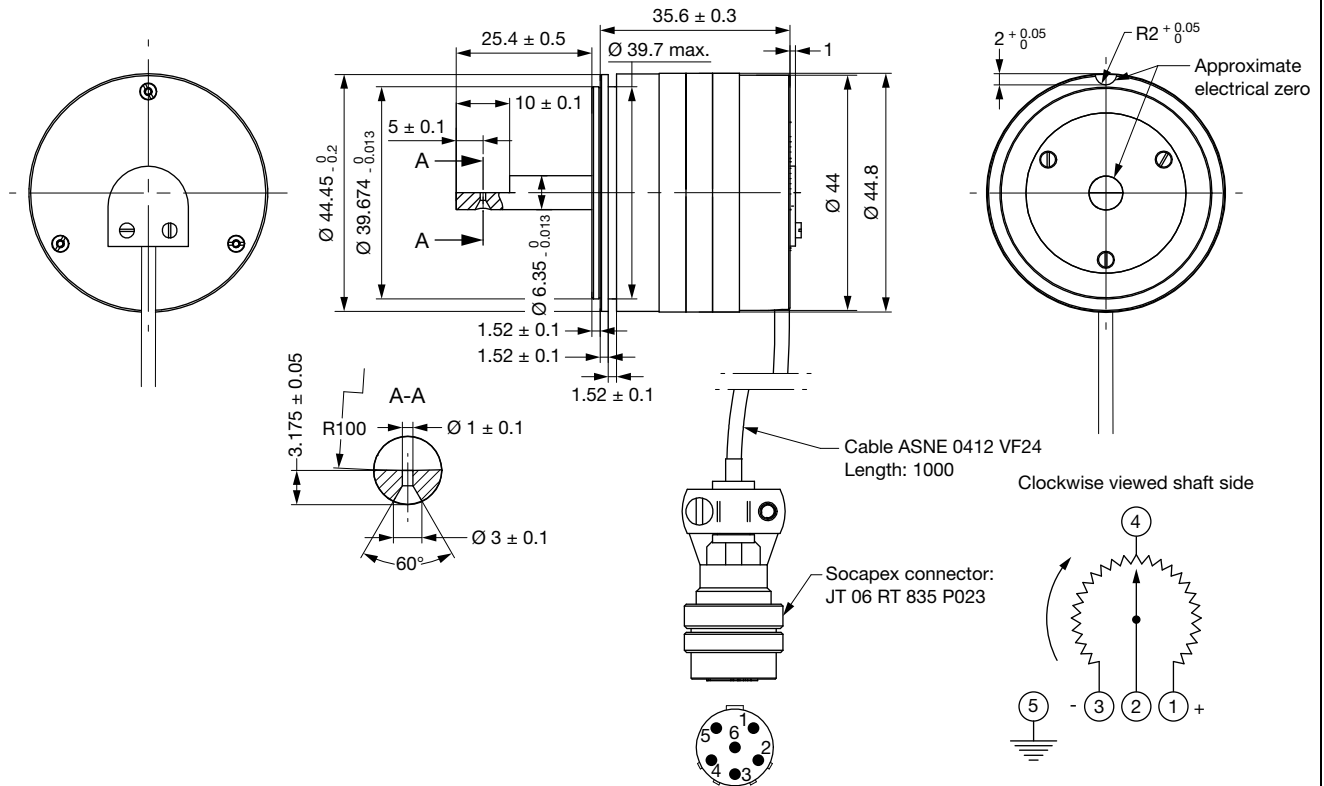


**DIMENSIONS** in millimeters

**OPTION 6**

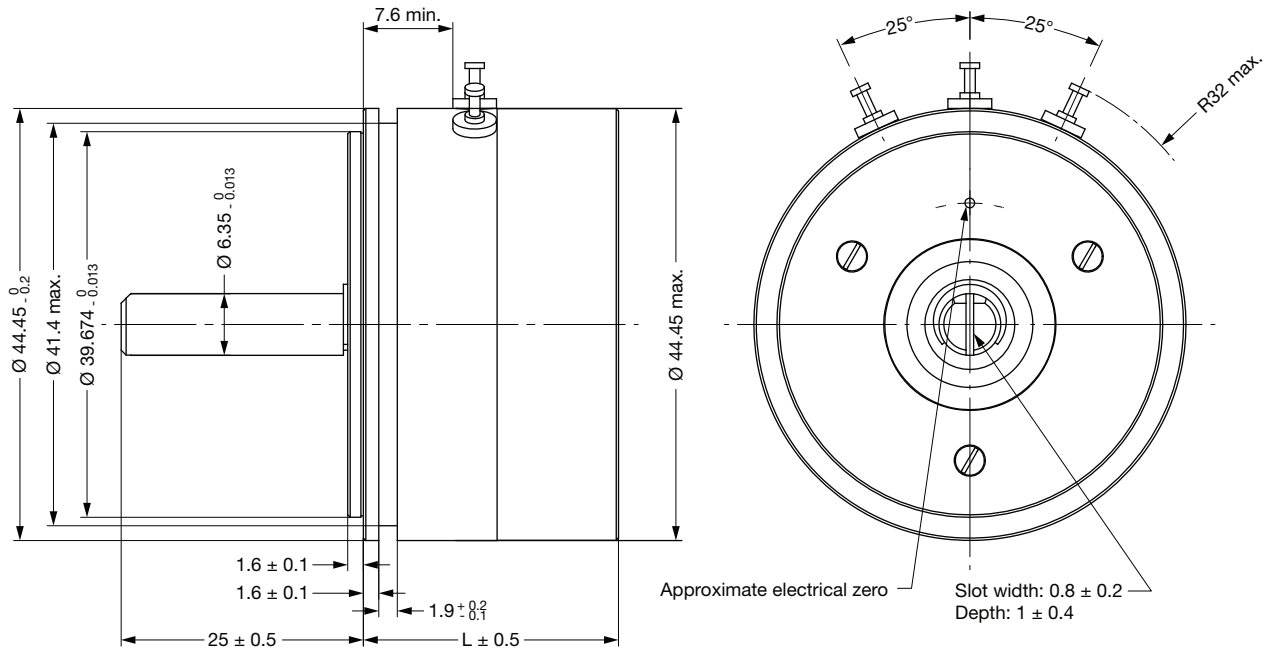


**OPTION 7**



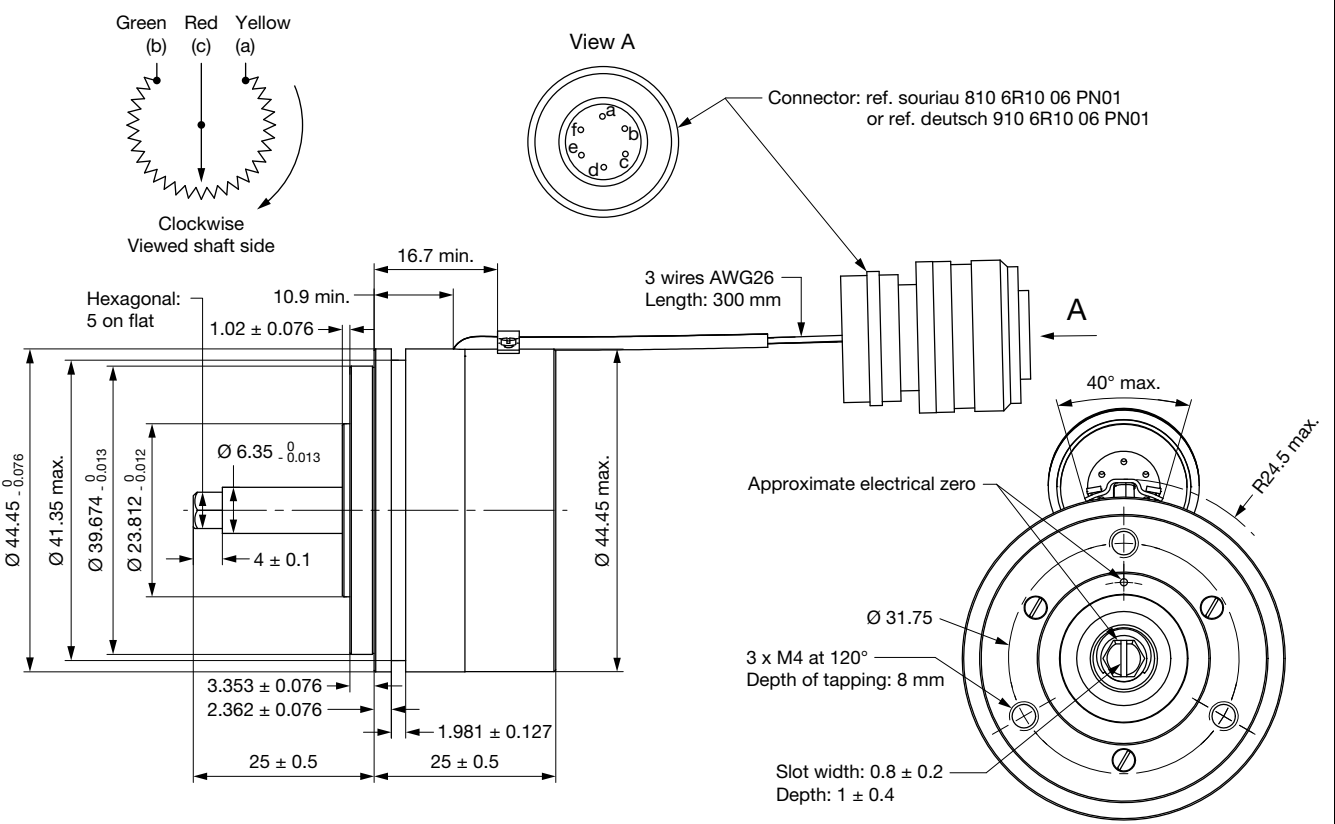
**DIMENSIONS** in millimeters

**POTH44**



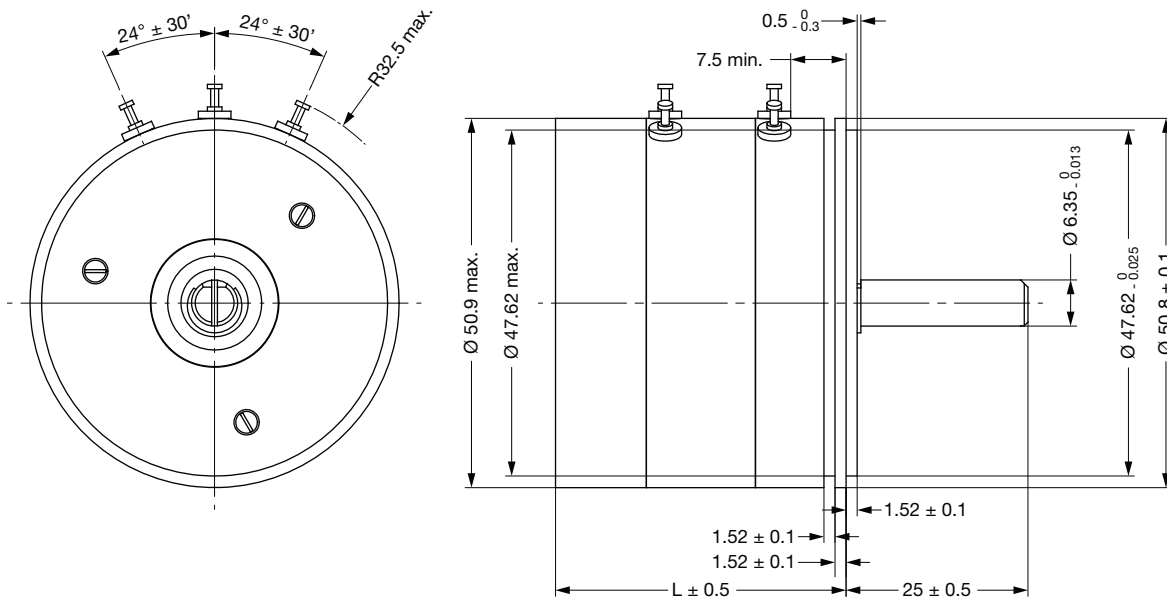
Number of cups:	1	2	3	4
L:	26.5	42	57.5	73

**POTH44 WITH CONNECTOR (ON REQUEST)**

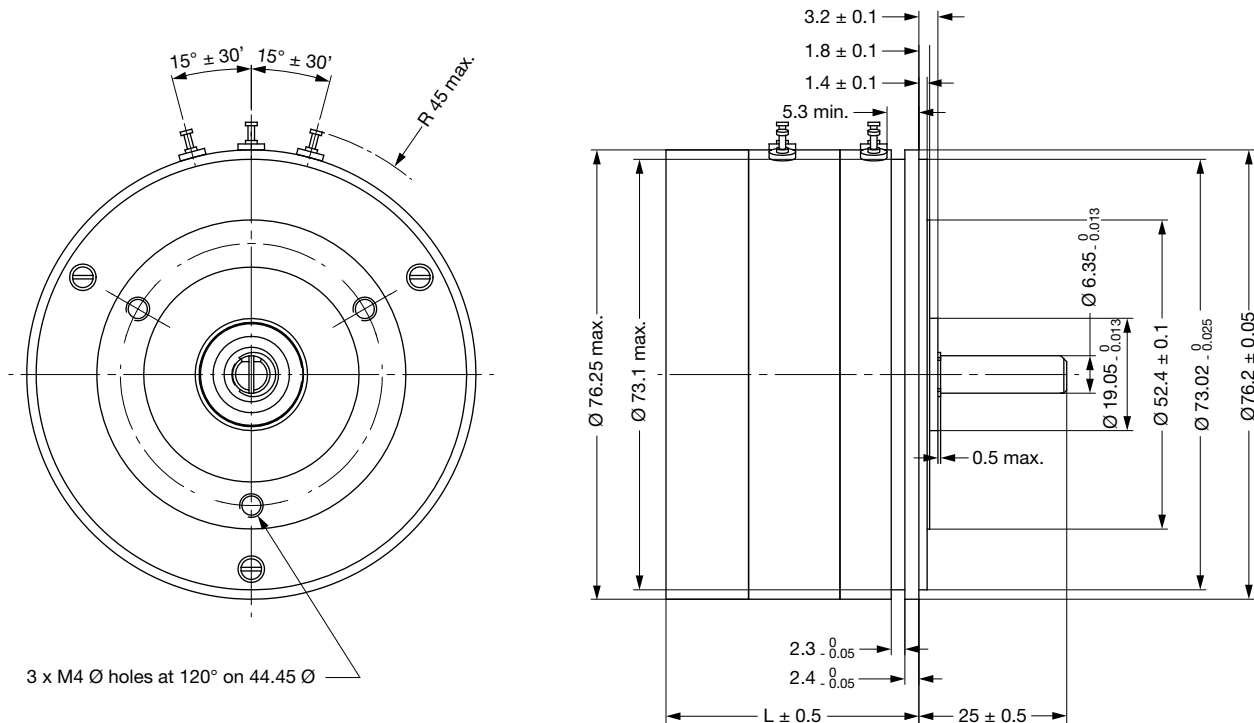




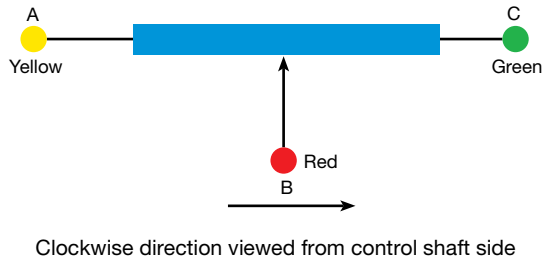
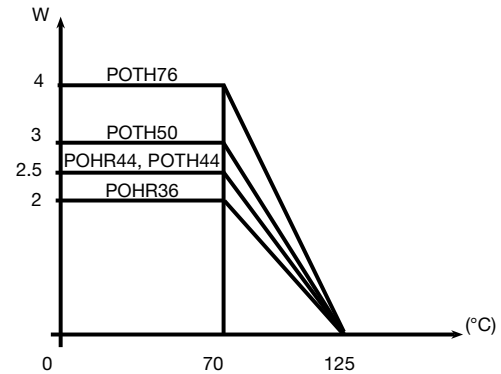
**DIMENSIONS** in millimeters

**POTH50**


Number of cups:	1	2	3	4	5
L:	25	40	55	70	85

**POTH76**


Number of cups:	1	2	3	4	5
L:	27.5	43	58.5	74	89.5

**ELECTRICAL DIAGRAM**

**POWER RATING CHART**

**OPTIONS** (on request)

- Other ohmic values: 2.5 k $\Omega$  (POHR36); 1.6 k $\Omega$ , 2 k $\Omega$ , or 2.8 k $\Omega$  (POHR44); 1 k $\Omega$  (POTH44)
- Other tolerances on  $R_n$  (see “Electrical Specifications” table):  $\pm 20\%$
- Other linearities (see “Electrical Specifications” table): 0.2 % (POHR36)
- Other theoretical electrical travel:  $354^\circ \pm 1^\circ$  and  $120^\circ$  (with UET = 100°) (POHR36);  $120^\circ$  (with UET = 100°) (POHR44)
- Connectors (center tap)
- Wire outputs (only on POHR44 and POTH44)
- Through shaft
- Phasing between wipers:  $180^\circ \pm 2^\circ$  (POHR36 x 2)
- Specific function:
  - sine and cosine ( $360^\circ$ ) with accuracy  $\pm 0.2\%$
  - switch sector with accuracy  $\pm 1^\circ$  or  $\pm 30'$  (POHR44)
- Middle tap: POHR44 U/2  $\pm 0.5\%$
- For space application: removing of fabrication for tracks and ball bearings
- Protection resistor in series with wiper: 150  $\Omega$ ; 300  $\Omega$  ( $\pm 15\%$ )
- Version waterproof: POHR44 (starting torque  $\leq 60$  cNcm)
- Electrical output by connector: plug Socapex: JT 06 RT 835 P023 (or equivalent) with cable length 1 m
- Version supplying voltage:  $6\text{ V} < U < 30\text{ V}$



## Disclaimer

ALL PRODUCT, PRODUCT SPECIFICATIONS AND DATA ARE SUBJECT TO CHANGE WITHOUT NOTICE TO IMPROVE RELIABILITY, FUNCTION OR DESIGN OR OTHERWISE.

Vishay Intertechnology, Inc., its affiliates, agents, and employees, and all persons acting on its or their behalf (collectively, "Vishay"), disclaim any and all liability for any errors, inaccuracies or incompleteness contained in any datasheet or in any other disclosure relating to any product.

Vishay makes no warranty, representation or guarantee regarding the suitability of the products for any particular purpose or the continuing production of any product. To the maximum extent permitted by applicable law, Vishay disclaims (i) any and all liability arising out of the application or use of any product, (ii) any and all liability, including without limitation special, consequential or incidental damages, and (iii) any and all implied warranties, including warranties of fitness for particular purpose, non-infringement and merchantability.

Statements regarding the suitability of products for certain types of applications are based on Vishay's knowledge of typical requirements that are often placed on Vishay products in generic applications. Such statements are not binding statements about the suitability of products for a particular application. It is the customer's responsibility to validate that a particular product with the properties described in the product specification is suitable for use in a particular application. Parameters provided in datasheets and / or specifications may vary in different applications and performance may vary over time. All operating parameters, including typical parameters, must be validated for each customer application by the customer's technical experts. Product specifications do not expand or otherwise modify Vishay's terms and conditions of purchase, including but not limited to the warranty expressed therein.

Hyperlinks included in this datasheet may direct users to third-party websites. These links are provided as a convenience and for informational purposes only. Inclusion of these hyperlinks does not constitute an endorsement or an approval by Vishay of any of the products, services or opinions of the corporation, organization or individual associated with the third-party website. Vishay disclaims any and all liability and bears no responsibility for the accuracy, legality or content of the third-party website or for that of subsequent links.

Except as expressly indicated in writing, Vishay products are not designed for use in medical, life-saving, or life-sustaining applications or for any other application in which the failure of the Vishay product could result in personal injury or death. Customers using or selling Vishay products not expressly indicated for use in such applications do so at their own risk. Please contact authorized Vishay personnel to obtain written terms and conditions regarding products designed for such applications.

No license, express or implied, by estoppel or otherwise, to any intellectual property rights is granted by this document or by any conduct of Vishay. Product names and markings noted herein may be trademarks of their respective owners.