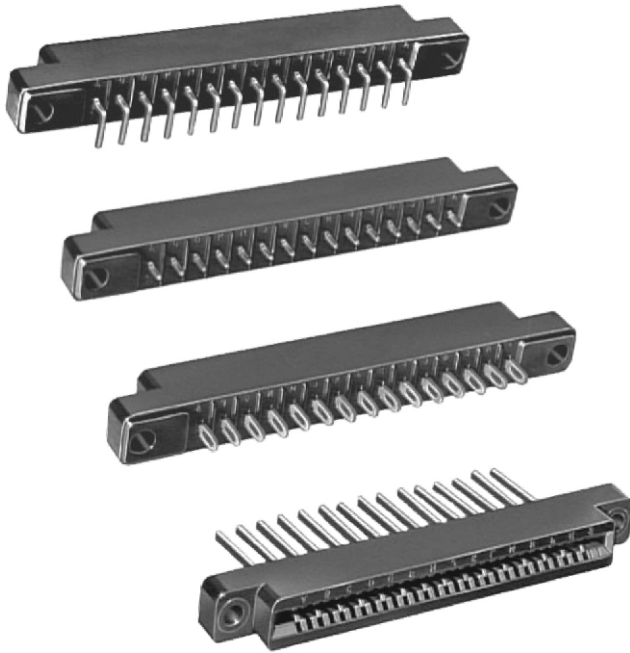


## Edgeboard Connectors, Single Readout, Dip Solder and Eyelet Termination



### FEATURES

- 0.156" (3.96 mm) C-C
- Modified tuning fork contacts have chamfered lead-in to reduce wear on printed circuit board contacts without sacrificing contact pressure and wiping action
- Accepts PC board thickness of 0.054" to 0.070" (1.37 mm to 1.78 mm)
- Polarization option: "on contact" or "between contact" positions are available (to be installed by customer); "between contact" polarization permits polarizing without loss of a contact position
- Polarizing key is reinforced nylon, may be inserted by hand, requires no adhesive
- Protected entry, provided by recessed leading edge of contact, permits the card slot to straighten and align the board before electrical contact is made. Prevents damage to contacts which might be caused by warped or out of tolerance boards
- Optional terminal configurations, including eyelet (type A), dip-solder (types B, R)

### ELECTRICAL SPECIFICATIONS

**Current Rating:** 5 A

**Test Voltage Between Contacts:**

At sea level: 1800 V<sub>RMS</sub>

At 70 000 feet (21 336 meters): 450 V<sub>RMS</sub>

**Insulation Resistance:** 5000 MΩ minimum (at 500 V<sub>DC</sub> potential)

**Contact Resistance:** (voltage drop) 30 mV maximum at rated current with gold flash

### PHYSICAL SPECIFICATIONS

**Number of Contacts:** 6, 15, or 22

**Contact Spacing:** 0.156" (3.96 mm)

**Card Thickness:** 0.054" to 0.070" (1.37 mm to 1.78 mm)

**Card Slot Depth:** 0.330" (8.38 mm)

### APPLICATIONS

For use with 0.062" (1.57 mm) printed circuit boards requiring an edgeboard type connector on 0.156" (3.96 mm) centers

### MATERIAL SPECIFICATIONS

**Body:** glass-filled phenolic per MIL-M-14, type MFH, black, flame retardant

**Contacts:** copper alloy

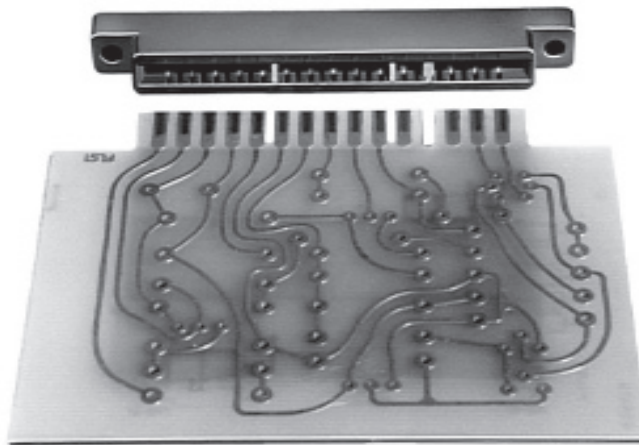
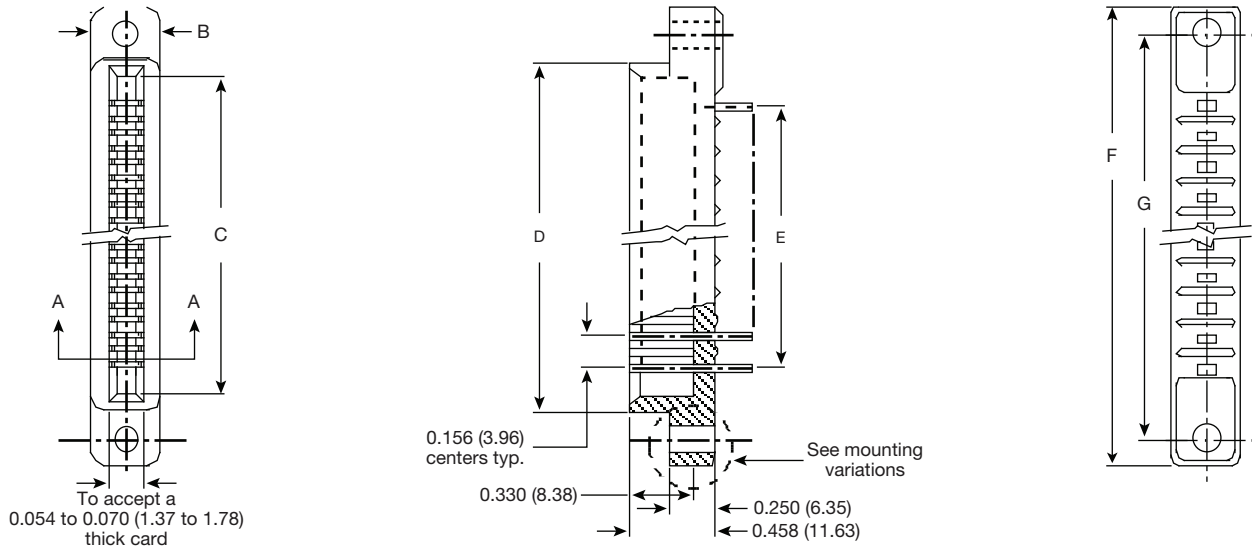
**Finish:** 2 = gold flash

**Polarizing Key:** glass-filled nylon

### ORDERING INFORMATION

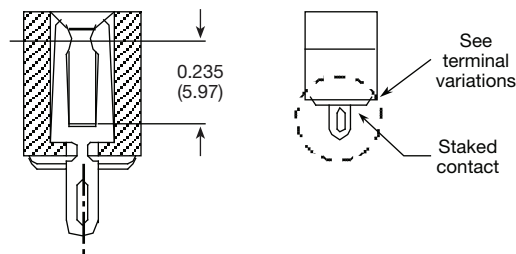
EBT156	-	6	R	2	W
MODEL		NUMBER OF CONTACTS	TERMINAL VARIATIONS	CONTACT FINISH	MOUNTING VARIATIONS
		6, 15, or 22	A, B, or R	2 = gold flash	W or X

**DIMENSIONS** in inches (millimeters)

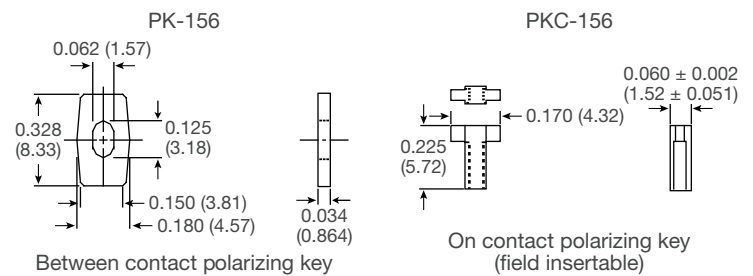


“Between contact” or “on contact”  
polarization available in all sizes  
(for field installation only)

**Section A to A:**



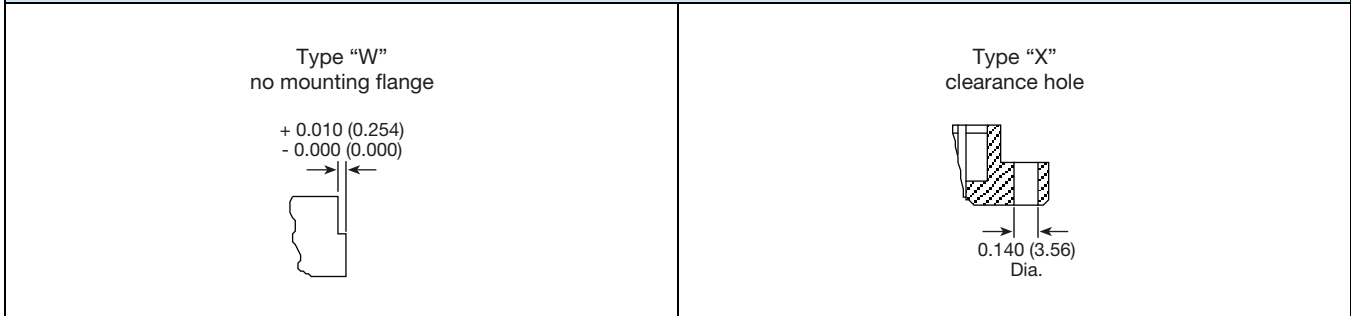
**Polarizing Key:**



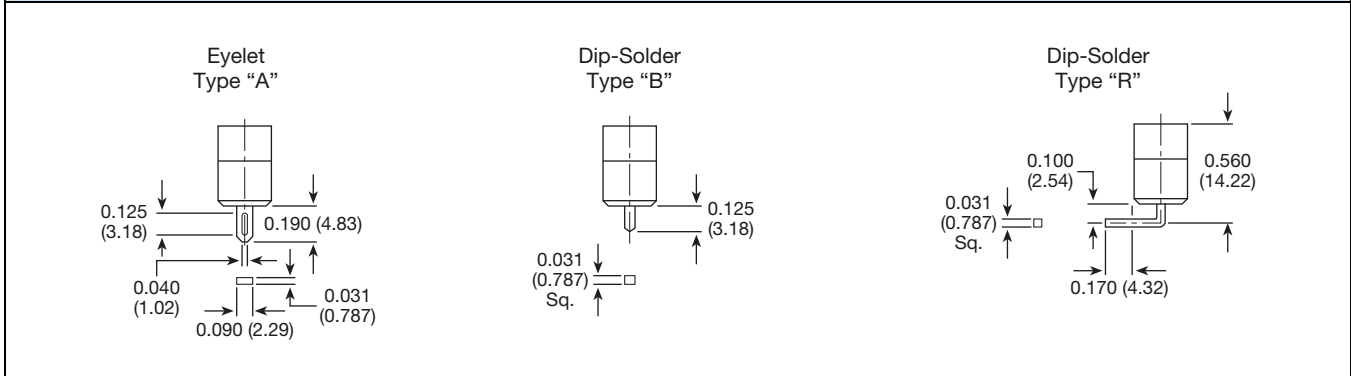
Ordering information: polarizing keys can be ordered separately using model number PK-156 or PKC-156

# OF CONTACT POSITIONS	B	C	D	E	F	G
6	0.340 (8.64)	1.10 (27.94)	1.24 (31.50)	0.781 (19.84)	1.80 (45.72)	1.53 (38.86)
15	0.340 (8.64)	2.50 (63.50)	2.65 (67.31)	2.19 (55.63)	3.21 (81.53)	2.94 (74.68)
22	0.340 (8.64)	3.60 (91.44)	3.74 (95.0)	3.28 (83.31)	4.30 (109.22)	4.03 (102.36)

**MOUNTING VARIATIONS** in inches (millimeters)



**TERMINAL VARIATIONS** in inches (millimeters)





## Disclaimer

ALL PRODUCT, PRODUCT SPECIFICATIONS AND DATA ARE SUBJECT TO CHANGE WITHOUT NOTICE TO IMPROVE RELIABILITY, FUNCTION OR DESIGN OR OTHERWISE.

Vishay Intertechnology, Inc., its affiliates, agents, and employees, and all persons acting on its or their behalf (collectively, "Vishay"), disclaim any and all liability for any errors, inaccuracies or incompleteness contained in any datasheet or in any other disclosure relating to any product.

Vishay makes no warranty, representation or guarantee regarding the suitability of the products for any particular purpose or the continuing production of any product. To the maximum extent permitted by applicable law, Vishay disclaims (i) any and all liability arising out of the application or use of any product, (ii) any and all liability, including without limitation special, consequential or incidental damages, and (iii) any and all implied warranties, including warranties of fitness for particular purpose, non-infringement and merchantability.

Statements regarding the suitability of products for certain types of applications are based on Vishay's knowledge of typical requirements that are often placed on Vishay products in generic applications. Such statements are not binding statements about the suitability of products for a particular application. It is the customer's responsibility to validate that a particular product with the properties described in the product specification is suitable for use in a particular application. Parameters provided in datasheets and / or specifications may vary in different applications and performance may vary over time. All operating parameters, including typical parameters, must be validated for each customer application by the customer's technical experts. Product specifications do not expand or otherwise modify Vishay's terms and conditions of purchase, including but not limited to the warranty expressed therein.

Hyperlinks included in this datasheet may direct users to third-party websites. These links are provided as a convenience and for informational purposes only. Inclusion of these hyperlinks does not constitute an endorsement or an approval by Vishay of any of the products, services or opinions of the corporation, organization or individual associated with the third-party website. Vishay disclaims any and all liability and bears no responsibility for the accuracy, legality or content of the third-party website or for that of subsequent links.

Except as expressly indicated in writing, Vishay products are not designed for use in medical, life-saving, or life-sustaining applications or for any other application in which the failure of the Vishay product could result in personal injury or death. Customers using or selling Vishay products not expressly indicated for use in such applications do so at their own risk. Please contact authorized Vishay personnel to obtain written terms and conditions regarding products designed for such applications.

No license, express or implied, by estoppel or otherwise, to any intellectual property rights is granted by this document or by any conduct of Vishay. Product names and markings noted herein may be trademarks of their respective owners.