

## 2" (50.8 mm) Single Turn Wirewound Precision Potentiometer



### FEATURES

- Screw, servo and bushing mount types available
- Large range of ohmic values: 5 Ω to 85 kΩ
- Extra taps upon request
- Gangable up to 6 sections on a same shaft
- Material categorization: for definitions of compliance please see [www.vishay.com/doc?99912](http://www.vishay.com/doc?99912)


**RoHS**  
COMPLIANT

QUICK REFERENCE DATA	
Sensor type	ROTATIONAL, single turn wirewound
Output type	Output by turrets
Market appliance	Professional
Dimensions	2" (50.8 mm)

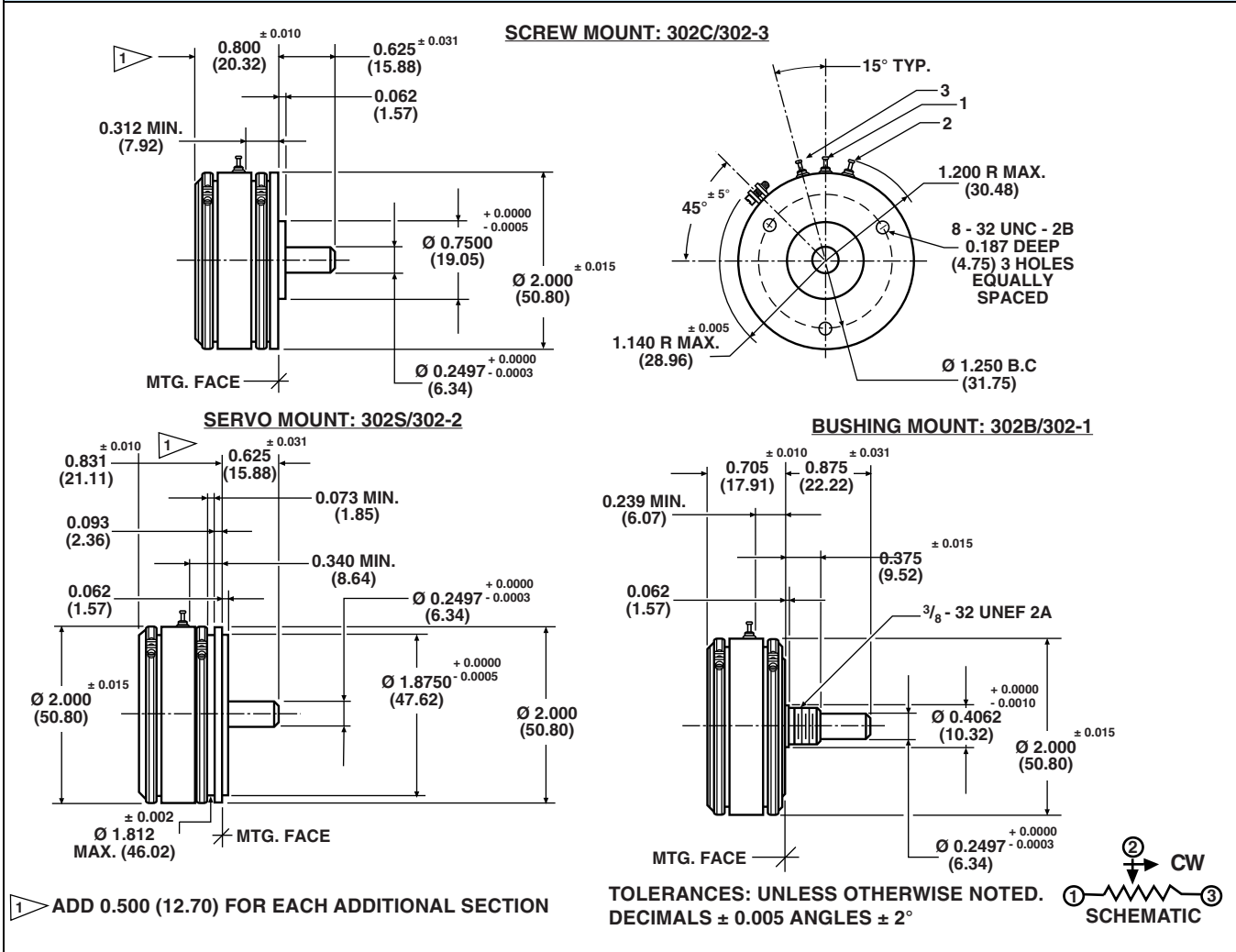
ELECTRICAL SPECIFICATIONS		
PARAMETER	STANDARD	SPECIAL
Total resistance: Tolerance 50 Ω and above Below 50 Ω	5 Ω to 50 kΩ ± 3 % ± 5 %	85 kΩ ± 1 % ± 3 %
Absolute minimum resistance	Linearity x total resistance or 0.5 Ω whichever is greater	
End voltage	Linearity x total applied voltage for total resistance above 20 Ω, 2.0 % of total applied voltage for 20 Ω and below	
Linearity (independent) 5 Ω to 50 Ω 50 Ω to 200 Ω 200 Ω to 1 kΩ 1 kΩ to 10 kΩ 10 kΩ and above	<b>STANDARD</b> ± 1.0 % ± 0.50 % ± 0.25 % ± 0.25 % ± 0.25 %	<b>BEST PRACTICAL</b> ± 0.50 % ± 0.35 % ± 0.20 % ± 0.15 % ± 0.10 %
Noise	100 Ω ENR	
Electrical angle	350° ± 2°	
Power rating Section 1: 4.0 W Additional sections	70 °C ambient derated to zero at 125 °C 75 % of the rating of section 1 (3.0 W at 70 °C)	
Insulation resistance	1000 MΩ minimum 500 V <sub>DC</sub>	
Dielectric strength	1000 V <sub>RMS</sub> , 60 Hz	
Taps (extra)	21 available as special, standard tolerance ± 1°	
Phasing (CCW end points)	Additional sections phased to section 1 within ± 1°	

ORDERING INFORMATION														
3	0	2	B	1	2	0	3	2	0	3	X	X	X	X
MODEL		STYLE		GANGS		OHMIC VALUE GANGS N° 1		OHMIC VALUE GANGS N° 2		SPECIAL REQUEST				
302		B: bushing S: servo C: screw		1 2 3 4		470 = 47 Ω 222 = 2.200 Ω 103 = 10 kΩ For ohmic value range see electrical specification		470 = 47 Ω 222 = 2.200 Ω 103 = 10 kΩ For ohmic value range see electrical specification		xxxx				



PART NUMBER DESCRIPTION (for information only)					
302-	1	1	103	203	xxxx
MODEL	STYLE	GANGS	OHMIC VALUE GANGS N° 1	OHMIC VALUE GANGS N° 2	SPECIAL
	B: 1 S: 2 C: 3				

**DIMENSIONS** in inches (millimeters)





MECHANICAL SPECIFICATIONS		
PARAMETER		
Rotation	360° (continuous)	
Bearing type	Servo and screw mount: ball Bushing mount: sleeve	
Ganging	6 sections maximum, terminal alignment, added sections, within ± 10° of section 1 terminals	
Torque (maximums)	<b>STARTING</b>	<b>RUNNING</b>
Servo and screw (1 section)	1.0 oz. - in (72.00 g - cm)	0.5 oz. - in (36.00 g - cm)
Bushing (1 section)	1.7 oz. - in (122.42 g - cm)	1.0 oz. - in (72.00 g - cm)
Each added section	0.6 oz. - in (43.21 g - cm)	0.4 oz. - in (28.80 g - cm)
Mechanical runouts (maximums)	<b>SERVO AND SCREWING</b>	<b>BUSHING</b>
Shaft (TIR/in)	0.002" (0.05 cm)	0.002" (0.05 cm)
Pilot dia. (TIR)	0.002" (0.05 cm)	0.002" (0.05 cm)
Lateral (TIR)	0.003" (0.08 cm)	0.005" (0.13 cm)
Shaft end play	0.005" (0.13 cm)	0.005" (0.13 cm)
Shaft radial play	0.002" (0.05 cm)	0.003" (0.08 cm)
Moment of inertia	2.0 g - cm <sup>2</sup> per section maximum	
Weight (maximums)		
Single section:	4.0 oz. (113.40 g)	
Each additional section:	1.2 oz. (34.02 g)	

MATERIAL SPECIFICATIONS	
Housing and lids	Aluminum, anodized
Shaft and clamp rings	Stainless steel, non-magnetic non-passivated
Terminals	Brass, plated for solderability
Bushing mount hardware	Steel, nickel plated Brass, nickel plated
Lockwasher internal tooth:	
Panel nut:	

ENVIRONMENTAL SPECIFICATIONS	
Vibration	15 g thru 2000 Hz
Shock	50 g
Salt spray	96 h
Rotational life	1 million shaft revolutions
Temperature range	-55 °C to +125 °C

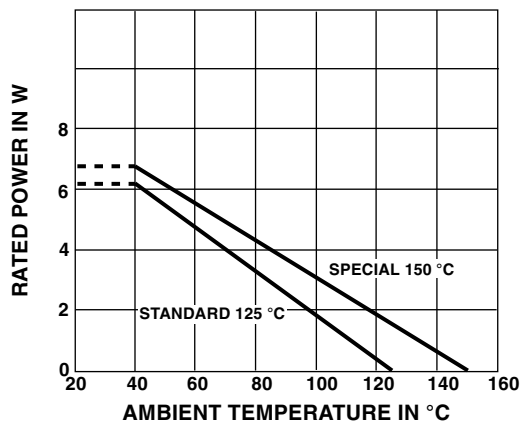
**Note**

- Nothing stated herein shall be construed as a guarantee of quality or durability.

MARKING	
Unit identification	Units shall be marked with Vishay Spectrol name, model no and date code, and on each section, resistance, resistance tolerance, linearity and terminal identification. Example of a marking for a standard part: 302-11202

**POWER RATING CHART**

(Ratings for cup No. 1. Additional cups 75 % of values shown)



RESISTANCE ELEMENT DATA					
RESISTANCE VALUES (Ω)	RESOLUTION (%)	OHMS PER TURN	MAXIMUM CURRENT AT 40 °C AMBIENT (mA)	MAXIMUM VOLTAGE ACROSS COIL (V)	WIRE TEMP. COEF. (ppm/°C)
5	0.320	0.016	893	4.48	800
10	0.200	0.020	633	6.32	800
20	0.165	0.033	447	8.95	800
50	0.148	0.074	283	14.1	800
100	0.151	0.151	200	20.0	20
200	0.126	0.252	141	28.4	20
500	0.115	0.573	89.4	44.7	20
1K	0.098	0.981	63.3	63.2	20
2K	0.085	1.70	44.7	89.5	20
5K	0.059	2.93	28.3	141	20
10K	0.051	5.16	20.0	200	20
20K	0.043	8.55	14.1	284	20
50K	0.032	15.80	8.94	447	20



## Disclaimer

ALL PRODUCT, PRODUCT SPECIFICATIONS AND DATA ARE SUBJECT TO CHANGE WITHOUT NOTICE TO IMPROVE RELIABILITY, FUNCTION OR DESIGN OR OTHERWISE.

Vishay Intertechnology, Inc., its affiliates, agents, and employees, and all persons acting on its or their behalf (collectively, "Vishay"), disclaim any and all liability for any errors, inaccuracies or incompleteness contained in any datasheet or in any other disclosure relating to any product.

Vishay makes no warranty, representation or guarantee regarding the suitability of the products for any particular purpose or the continuing production of any product. To the maximum extent permitted by applicable law, Vishay disclaims (i) any and all liability arising out of the application or use of any product, (ii) any and all liability, including without limitation special, consequential or incidental damages, and (iii) any and all implied warranties, including warranties of fitness for particular purpose, non-infringement and merchantability.

Statements regarding the suitability of products for certain types of applications are based on Vishay's knowledge of typical requirements that are often placed on Vishay products in generic applications. Such statements are not binding statements about the suitability of products for a particular application. It is the customer's responsibility to validate that a particular product with the properties described in the product specification is suitable for use in a particular application. Parameters provided in datasheets and / or specifications may vary in different applications and performance may vary over time. All operating parameters, including typical parameters, must be validated for each customer application by the customer's technical experts. Product specifications do not expand or otherwise modify Vishay's terms and conditions of purchase, including but not limited to the warranty expressed therein.

Hyperlinks included in this datasheet may direct users to third-party websites. These links are provided as a convenience and for informational purposes only. Inclusion of these hyperlinks does not constitute an endorsement or an approval by Vishay of any of the products, services or opinions of the corporation, organization or individual associated with the third-party website. Vishay disclaims any and all liability and bears no responsibility for the accuracy, legality or content of the third-party website or for that of subsequent links.

Except as expressly indicated in writing, Vishay products are not designed for use in medical, life-saving, or life-sustaining applications or for any other application in which the failure of the Vishay product could result in personal injury or death. Customers using or selling Vishay products not expressly indicated for use in such applications do so at their own risk. Please contact authorized Vishay personnel to obtain written terms and conditions regarding products designed for such applications.

No license, express or implied, by estoppel or otherwise, to any intellectual property rights is granted by this document or by any conduct of Vishay. Product names and markings noted herein may be trademarks of their respective owners.