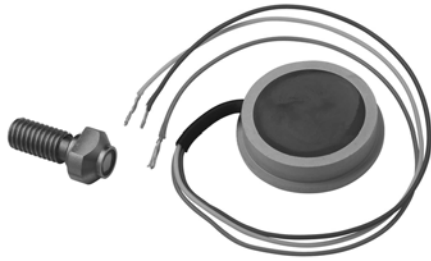




# Rotative Transducer Elements in Hall Effect Technology



## FEATURES

- Accurate linearity down to:  $\pm 0.5\%$
- All electrical angles available up to:  $360^\circ$  (no dead band)
- Extremely long life: Greater than 100M cycles
- Non contacting technology: Hall effect
- Model dedicated to all applications in harsh environments
- Very reduced dimensions, fitting in small volumes
- Delivered as a kit; 2 elements: Track and wiper
- Material categorization: for definitions of compliance please see [www.vishay.com/doc?99912](http://www.vishay.com/doc?99912)



RoHS COMPLIANT

QUICK REFERENCE DATA	
Sensor type	Kit ROTATIONAL, hall effect
Output type	Wires
Market appliance	Industrial
Dimensions	Various sizes

ELECTRICAL SPECIFICATIONS		
PARAMETER	STANDARD	SPECIAL
Electrical angle	$90^\circ, 180^\circ, 270^\circ, 360^\circ$	Any other angle upon request
Linearity	$\pm 1\%$	$\pm 0.5\%$
Supply voltage	$5 V_{DC} \pm 10\%$	Other upon request
Supply current	10 mA typ./16 mA max.	16 mA for PWM output
Output signal	Analog ratiometric 10 % to 90 % of $V_{supply}$ or PWM 1 kHz, 10 % to 90 % duty cycle	Other upon request
Over voltage protection		$+20 V_{DC}$
Reverse voltage protection		$-10 V_{DC}$
Load resistance recommended		Min. 1 k $\Omega$ for analog output and PWM output
Hysteresis static		$0.2^\circ$ max.

MECHANICAL SPECIFICATIONS	
PARAMETER	
Mechanical travel	$360^\circ$ continuous
2 elements	Track with electronic PCs/wiper with magnet
Standard	IP 66; fully sealed product

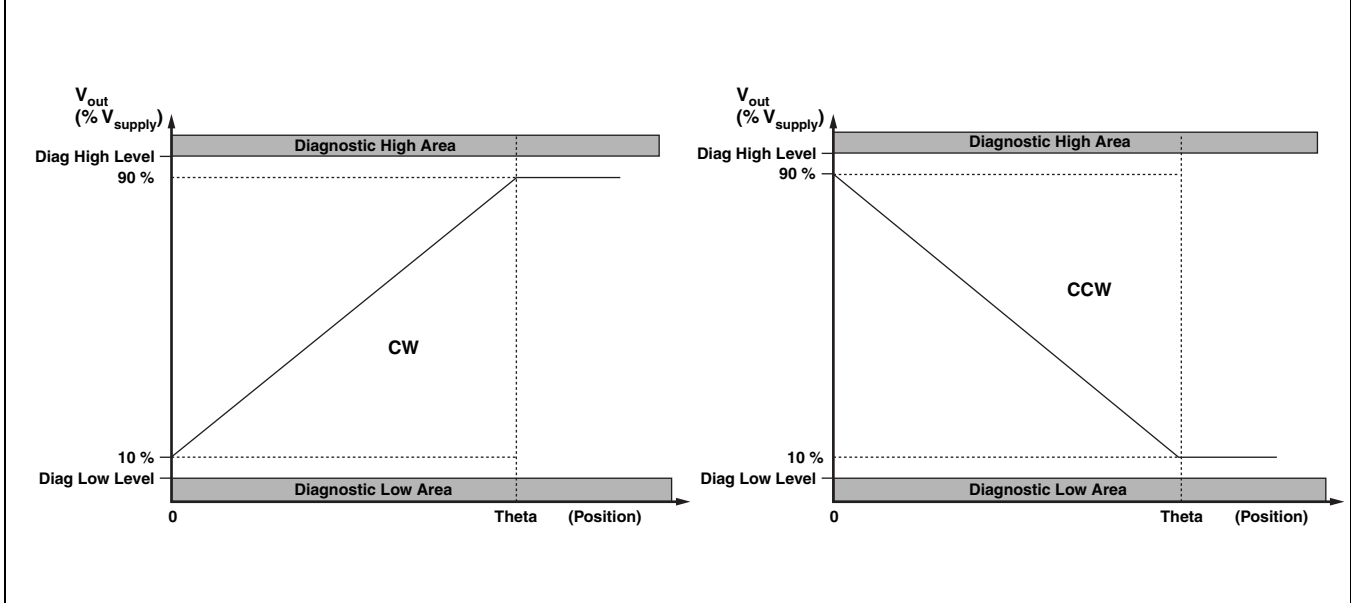
ORDERING INFORMATION/DESCRIPTION								
RMHE	1	A	1	W	A	XXXX	BO 10	e1
MODEL	NUMBER OF TRACKS	LINEARITY	ELECTRICAL ANGLE	OUTPUT TYPE	OUTPUT SIGNAL	SPECIAL REQUEST	PACKAGING	LEAD FINISH
	1: 1 cup (1 signal) 2: 2 cups (redundant)	A: $\pm 1\%$ B: $\pm 0.5\%$	1: $90^\circ$ 2: $180^\circ$ 3: $270^\circ$ 4: $360^\circ$ 9: Other angles	W: Wires Z: Custom	A: Analog CW B: Analog CCW C: PWM CW D: PWM CCW Z: Other output		Box of 10 pieces	

SAP PART NUMBERING GUIDELINES						
RMHE	2	B	9	Z	C	XXXX
MODEL	NUMBER OF TRACKS	LINEARITY	ELECTRICAL ANGLE	OUTPUT TYPE	OUTPUT SIGNAL	SPECIAL REQUEST
	Redundant signals					

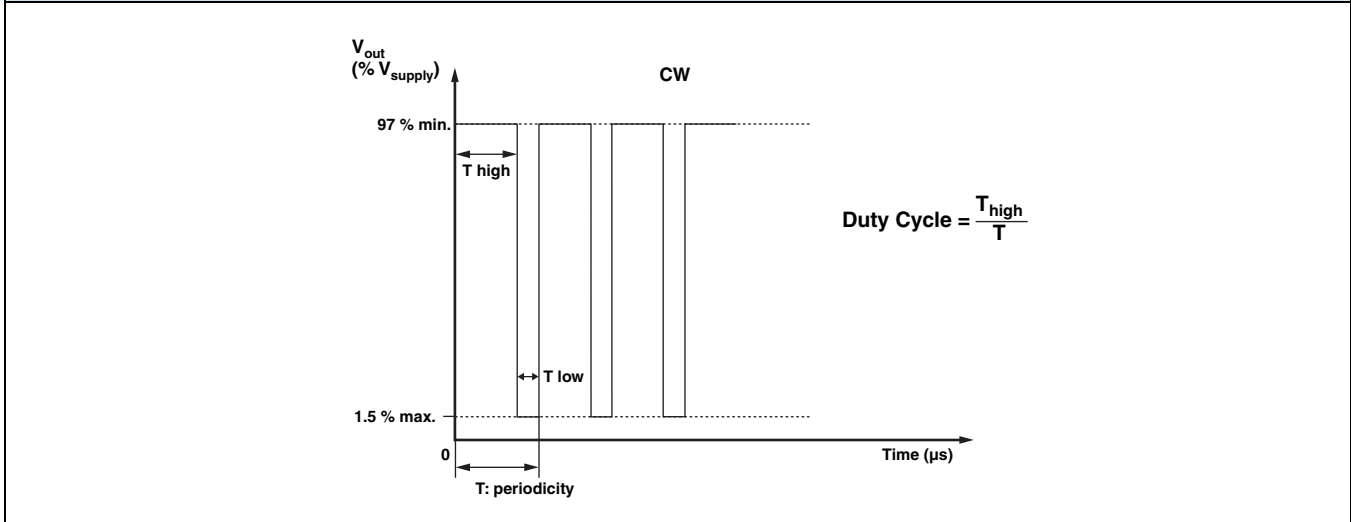


**V<sub>OUT</sub> ANALOG**

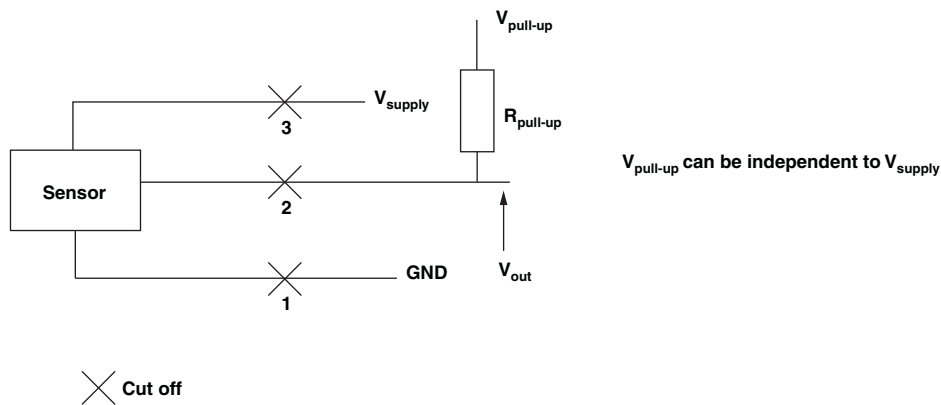
Operating temperature	85 °C	125 °C
Diagnostic high level	96 % min.	96 % min.
Diagnostic low level	2 % max.	4 % max.



**V<sub>OUT</sub> PWM**



DIAGNOSTIC MODES			
FAILURE	$V_{out}$ ANALOG $R_{pull-up}$	$V_{out}$ ANALOG $R_{pull-down}$	$V_{out}$ PWM $R_{pull-up} = 1\text{ k}\Omega$ $V_{pull-up} = V_{supply} = 5\text{ V}$
1: Broken GND	Diagnostic high area	Diagnostic low area	$> 97\% V_{supply}$ without modulation
2: Broken $V_{out}$	Diagnostic high area	Diagnostic low area	$> 97\% V_{supply}$ without modulation
3: Broken $V_{supply}$	Diagnostic high area	Diagnostic low area	$> 97\% V_{supply}$ without modulation
Over voltage $V_{supply} > 7\text{ V}$	Diagnostic high area	Diagnostic low area	$> 97\% V_{supply}$ without modulation
Under voltage $V_{supply} < 2.7\text{ V}$	Diagnostic high area	Diagnostic low area	$> 97\% V_{supply}$ without modulation



ENVIRONMENTAL SPECIFICATIONS	
Vibrations	20 g from 10 Hz to 2000 Hz, EN 60068-2-6
Shocks	3 shocks/axis; 50 g half a sine 11 ms, EN 60068-2-7
Operating temperature range	-40 °C to +150 °C
Life	$> 100\text{M}$ of cycles
Rotational speed (max.)	120 rpm
Immunity to radiated electromagnetic disturbances	200 V/m 150 kHz/1 GHz, IEC 62132-2 part 2 (level A)
Immunity to power frequency magnetic field	200 A/m 50 Hz/60 Hz, EN 61000-4-8 (level A)
Radiated electromagnetic emissions	30 MHz/1 GHz $< 30\text{ dB}\mu\text{V/m}$ , EN 61000-6-4 (level A)
Electrostatic discharges	Contact discharges: $\pm 4\text{ kV}$ air discharges: $\pm 8\text{ kV}$ , EN 61000-4-2
MATERIALS	
Housing	Aluminum
Mounting type	Servo
Shaft (standard: ACAPT W02564)	Separated element including a magnet
Output	3 lead wires (AWG22) length 250 mm $\pm$ 10 mm

**Note**

- Nothing stated herein shall be construed as a guarantee of quality or durability.





## Disclaimer

ALL PRODUCT, PRODUCT SPECIFICATIONS AND DATA ARE SUBJECT TO CHANGE WITHOUT NOTICE TO IMPROVE RELIABILITY, FUNCTION OR DESIGN OR OTHERWISE.

Vishay Intertechnology, Inc., its affiliates, agents, and employees, and all persons acting on its or their behalf (collectively, "Vishay"), disclaim any and all liability for any errors, inaccuracies or incompleteness contained in any datasheet or in any other disclosure relating to any product.

Vishay makes no warranty, representation or guarantee regarding the suitability of the products for any particular purpose or the continuing production of any product. To the maximum extent permitted by applicable law, Vishay disclaims (i) any and all liability arising out of the application or use of any product, (ii) any and all liability, including without limitation special, consequential or incidental damages, and (iii) any and all implied warranties, including warranties of fitness for particular purpose, non-infringement and merchantability.

Statements regarding the suitability of products for certain types of applications are based on Vishay's knowledge of typical requirements that are often placed on Vishay products in generic applications. Such statements are not binding statements about the suitability of products for a particular application. It is the customer's responsibility to validate that a particular product with the properties described in the product specification is suitable for use in a particular application. Parameters provided in datasheets and / or specifications may vary in different applications and performance may vary over time. All operating parameters, including typical parameters, must be validated for each customer application by the customer's technical experts. Product specifications do not expand or otherwise modify Vishay's terms and conditions of purchase, including but not limited to the warranty expressed therein.

Hyperlinks included in this datasheet may direct users to third-party websites. These links are provided as a convenience and for informational purposes only. Inclusion of these hyperlinks does not constitute an endorsement or an approval by Vishay of any of the products, services or opinions of the corporation, organization or individual associated with the third-party website. Vishay disclaims any and all liability and bears no responsibility for the accuracy, legality or content of the third-party website or for that of subsequent links.

Except as expressly indicated in writing, Vishay products are not designed for use in medical, life-saving, or life-sustaining applications or for any other application in which the failure of the Vishay product could result in personal injury or death. Customers using or selling Vishay products not expressly indicated for use in such applications do so at their own risk. Please contact authorized Vishay personnel to obtain written terms and conditions regarding products designed for such applications.

No license, express or implied, by estoppel or otherwise, to any intellectual property rights is granted by this document or by any conduct of Vishay. Product names and markings noted herein may be trademarks of their respective owners.