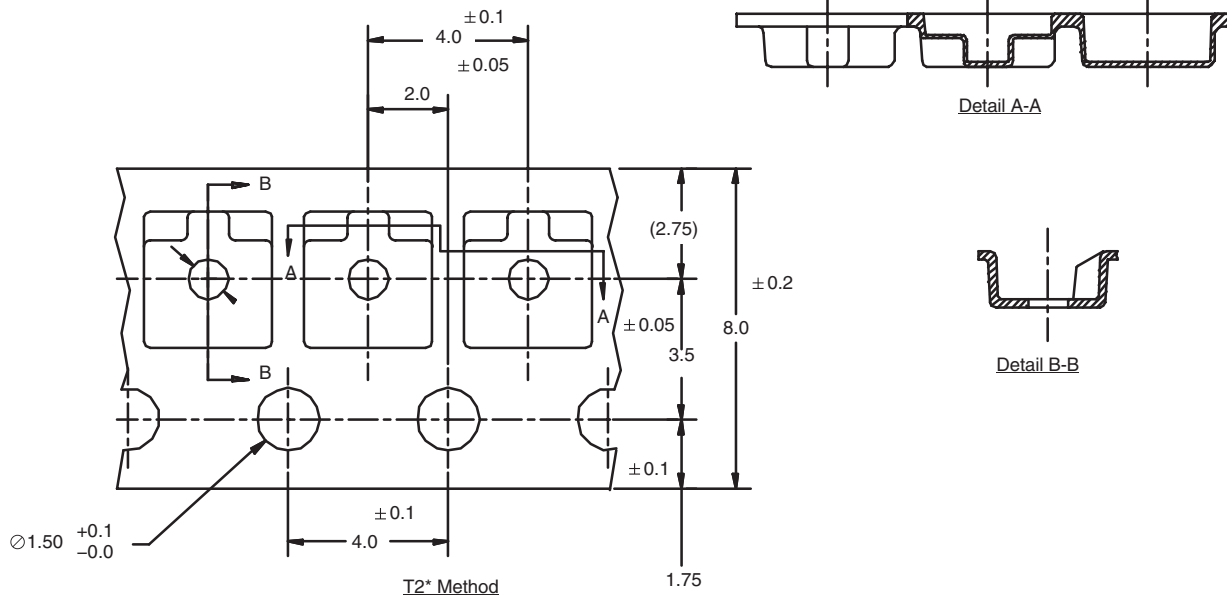
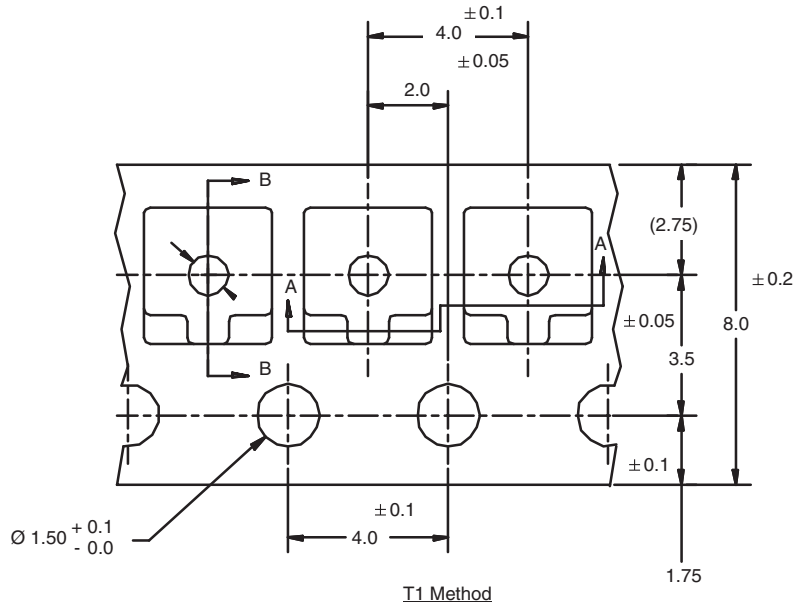


SOT-23 (T1 AND T2* METHODS)



Notes:

1. 10 sprocket hole pitch cumulative tolerance ± 0.2 mm.
2. Camber not to exceed 1 mm in 100 mm, also not to exceed 1.5 cm in 1 m actually.
3. Material: Black conductive or black static dissipative.
4. A_0 and B_0 measured on a plane 0.3 mm above the bottom of the pocket except M carrier tape.
5. K_0 measured from a plane on the inside bottom of the pocket to the top surface of the carrier.
6. It should be measured from :
 - a) sprocket hole to pocket center and
 - b) sprocket hole to pocket hole.
7. All dimensions in millimeters unless otherwise specified.
8. Tolerances unless specified will be ± 0.10 mm.
9. Vishay part number must be labeled at all reels of cover and carrier tape.
10. Surface resistivity - 10^6 max. Ω/sq .

METHOD	REEL DIA.	QUANTITY PER REEL
T1	178 mm (7")	3000
	330 mm (13")	10 000
T2*	178 mm (7")	3000
	330 mm (13")	10 000

* Not a standard offering. Please contact local sales office for availability.

ECN: TPending-Rev. B, 17-Sep-10
DWG: 91-5210-X