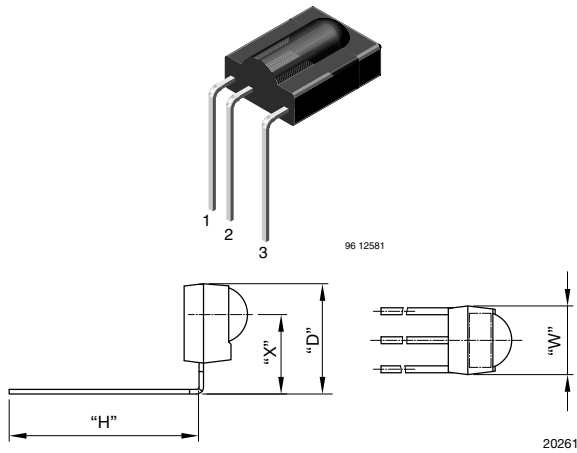


Bent Leads:

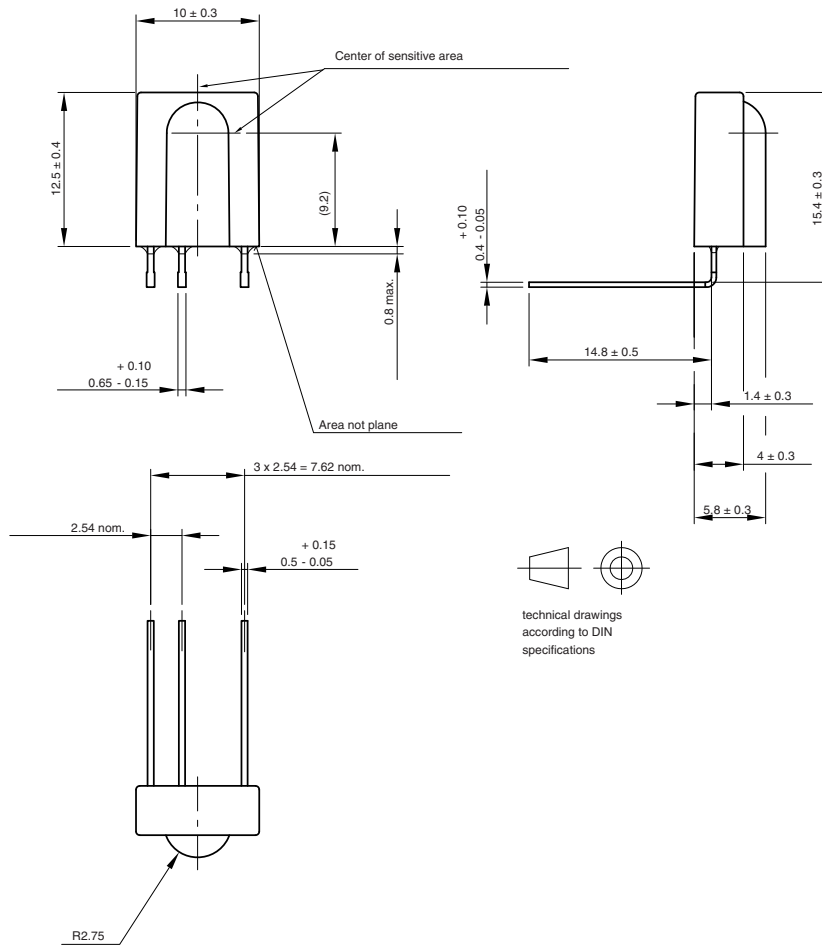
D = 15.4 mm, H = 14.8 mm, W = 10 mm, X = 12.3 mm

AVAILABLE FOR

- Cast

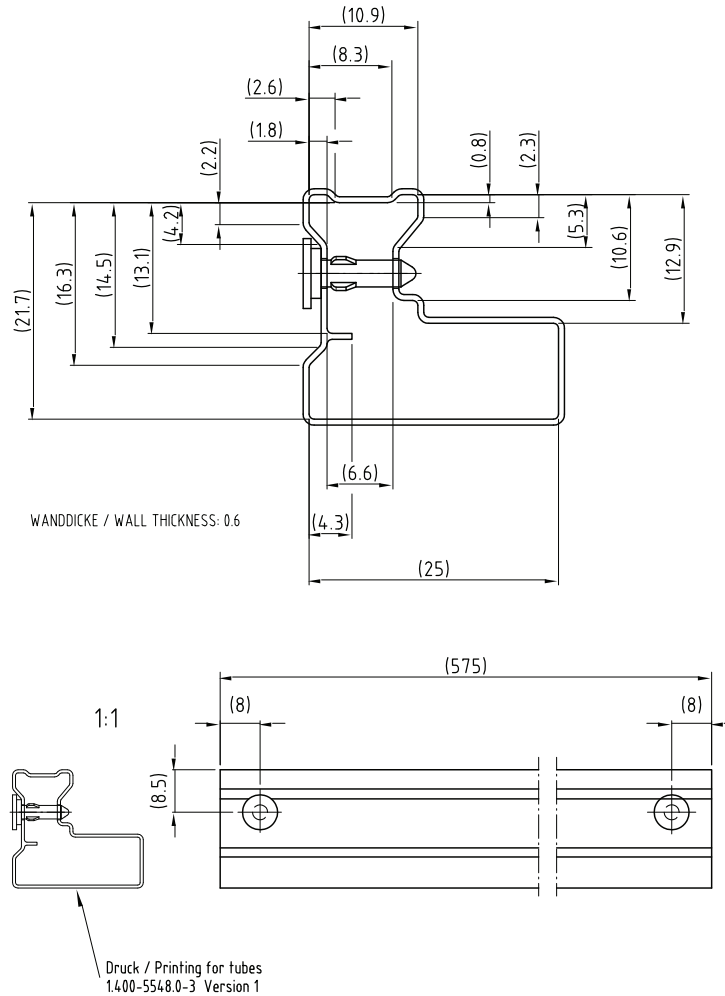


NAME	LENS AXIS (X)	VIEW	TYPE	HEIGHT (H)	WIDTH (W)	DEPTH (D)
SB1	12.3	-	Bend	14.8	10	15.4

MECHANICAL DIMENSIONS in millimeters


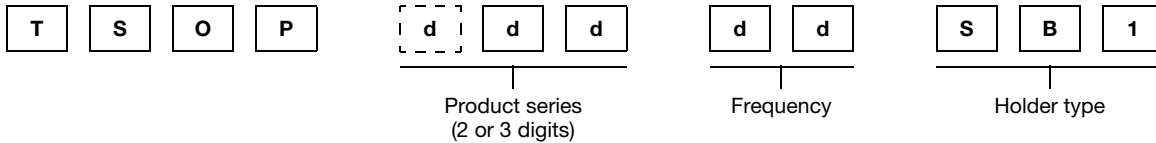
Drawing-No.: 6.550-5112.02-4
 Issue: 13; 04.08.09
 96 12225

PACKAGING DIMENSIONS in millimeters



Drawing-No.: 9.700-5158.0-4
 Rev. 9; Date: 20.11.03
 20309-1

ORDERING INFORMATION



Note

- d = "digit", please consult the list of available series on the previous page to create a valid part number

Example: TSOP31238SB1

PACKING QUANTITY

- 54 pieces per tube
- 24 tubes per carton