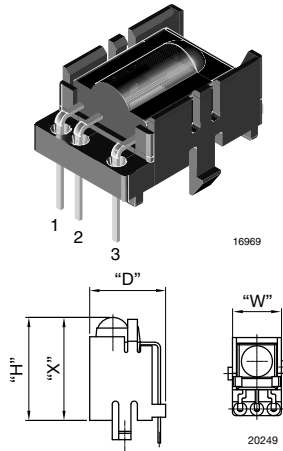


Top View Holder: D = 20 mm, H = 8.5 mm, W = 12.5 mm, X = 8.5 mm



FEATURES

- Material categorization: for definitions of compliance please see www.vishay.com/doc?99912



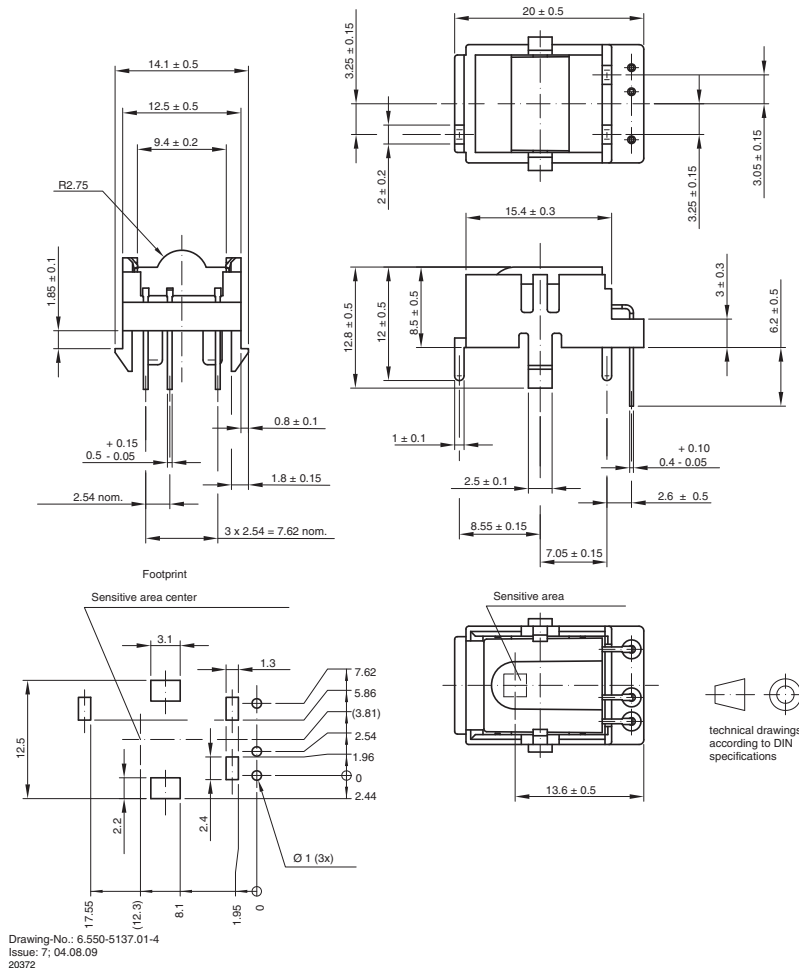
RoHS
COMPLIANT
HALOGEN
FREE
GREEN
(5-2008)

AVAILABLE FOR

- Cast

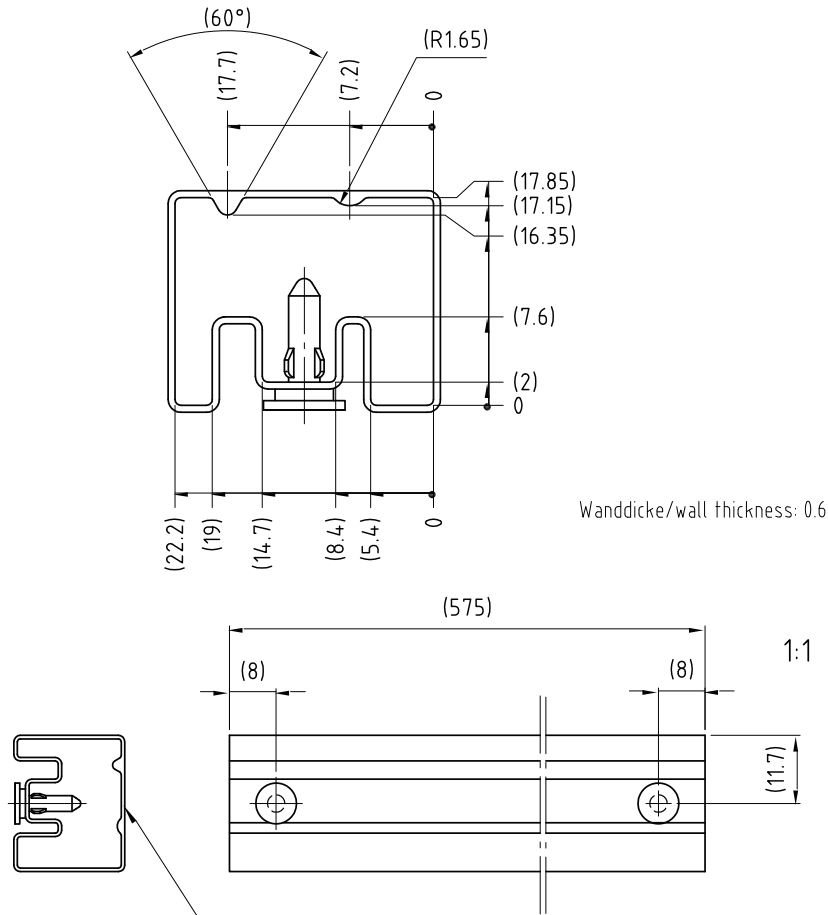
NAME	LENS AXIS (X)	VIEW	TYPE	HEIGHT (H)	WIDTH (W)	DEPTH (D)
UU1	8.5	Top	Holder	8.5	12.5	20

MECHANICAL DIMENSIONS in millimeters



Drawing-No.: 6.550-5137.01-4
Issue: 7; 04.08.09
20372

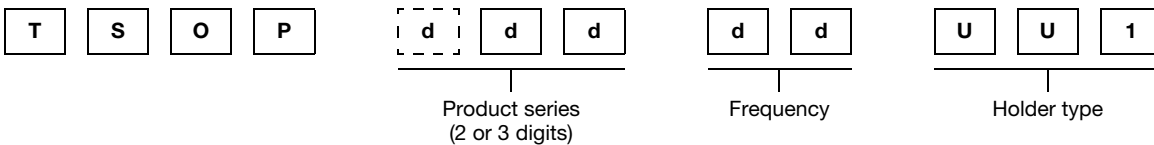
PACKAGING DIMENSIONS in millimeters



Druck / Printing for tubes
1.400-5548.0-3 Version 1

Drawing-No.: 9.700-5166.0-4
Rev. 8; Date: 20.11.03
20311-1

ORDERING INFORMATION



Note

- d = "digit", please consult the list of available series on the previous page to create a valid part number

Example: TSOP31238UU1

PACKING QUANTITY

- 41 pieces per tube
- 24 tubes per carton

Vishay offers plastic and metal holder which have different characteristics:

- Plastic Pros: nearly invisible behind the bezel
- Plastic Cons: cannot be reflow soldered, wave soldering deforms the hooks (visual issue only, the part is secured by the leads after soldering)
- Metal Pros: may be reflow and wave soldered, improves EMI and RF rejection
- Metal Cons: appears shiny behind the bezel, will oxidize over time (visual issue only, the holder functionality is not impaired)