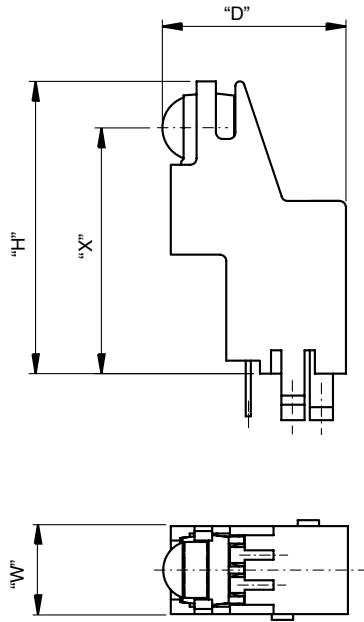
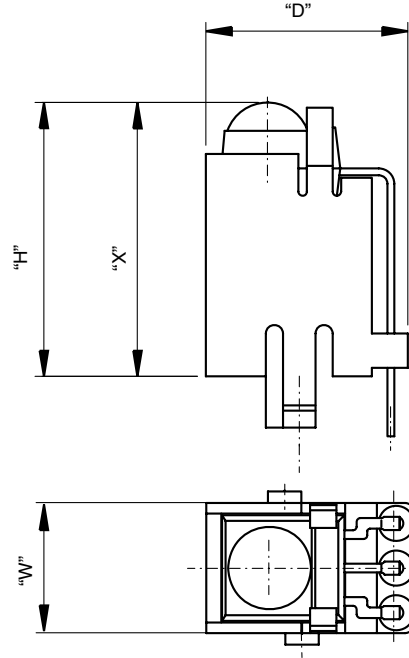


Definition of Mechanical Option Dimensions

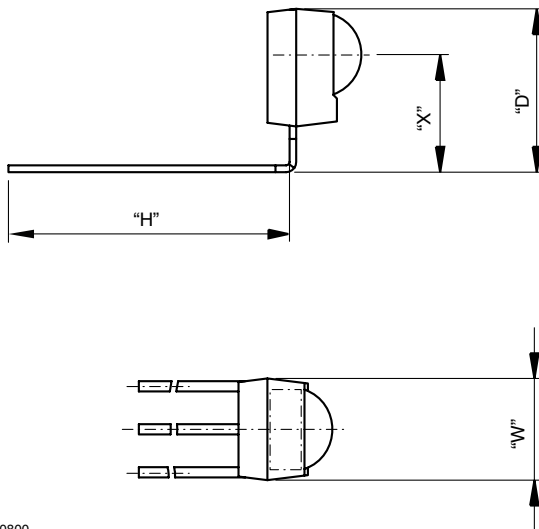
SIDE VIEW HOLDER



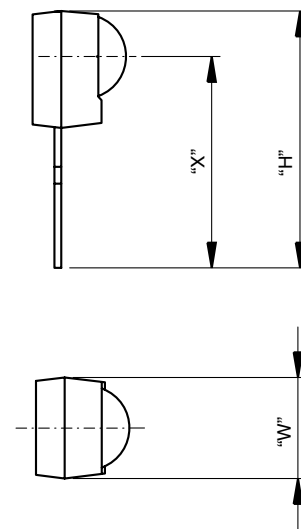
TOP VIEW HOLDER



BENT LEADS



CUT LEADS



20800