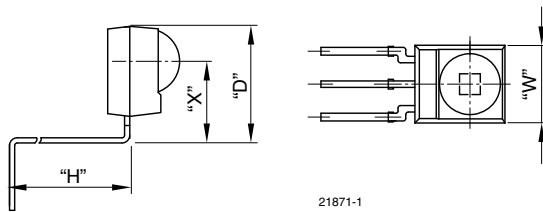
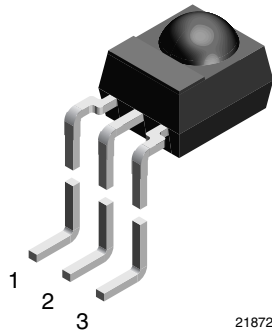


**Bent Leads:**  
**D = 9 mm, H = 7.2 mm, W = 6 mm, X = 6.3 mm**

**AVAILABLE FOR**

- Mold



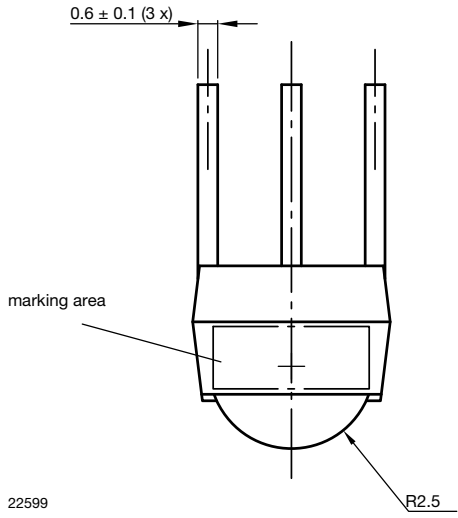
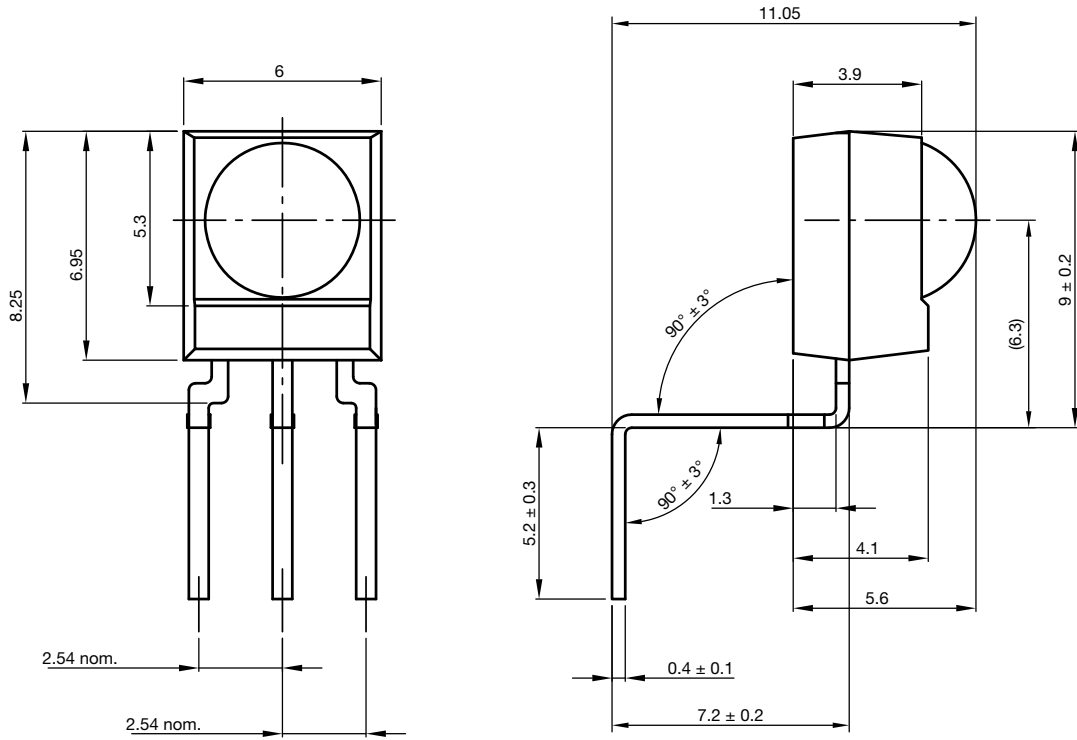
**LINKS TO ADDITIONAL RESOURCES**



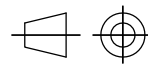
NAME	LENS AXIS (X)	VIEW	TYPE	HEIGHT (H)	WIDTH (W)	DEPTH (D)
DH1	6.3	-	Bend	7.2	6	9



**MECHANICAL DIMENSIONS** in millimeters



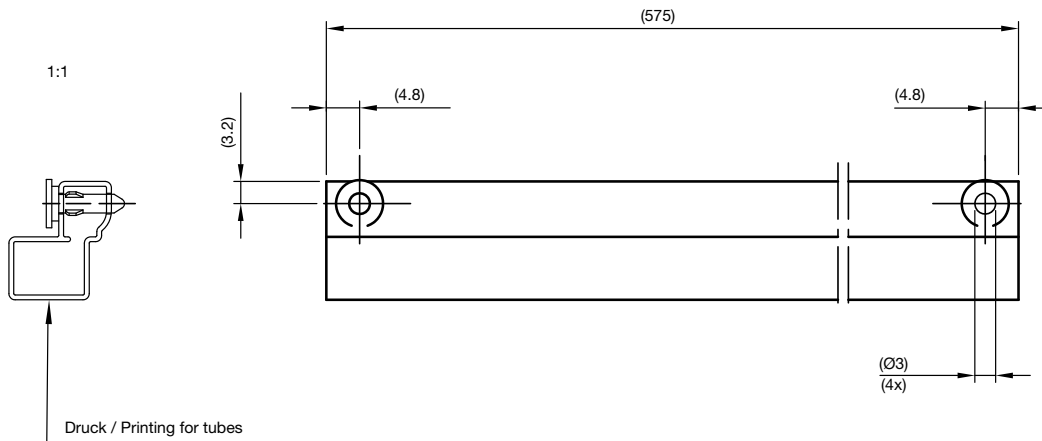
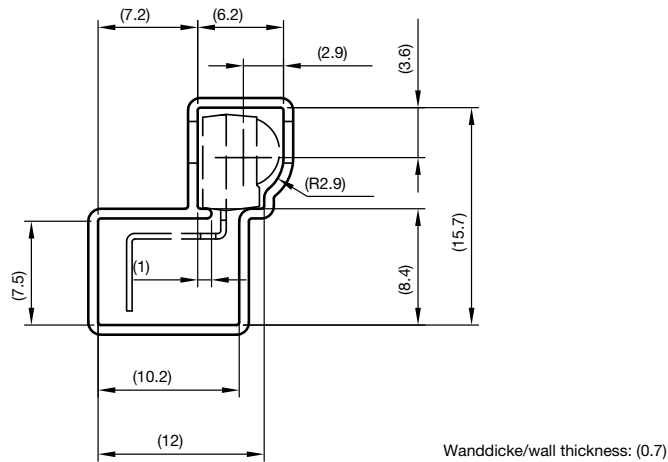
Not indicated tolerances ± 0.2



technical drawings according to DIN specifications

Drawing-No.: 6.550-5320.01-4  
Issue: 1; 14.09.11

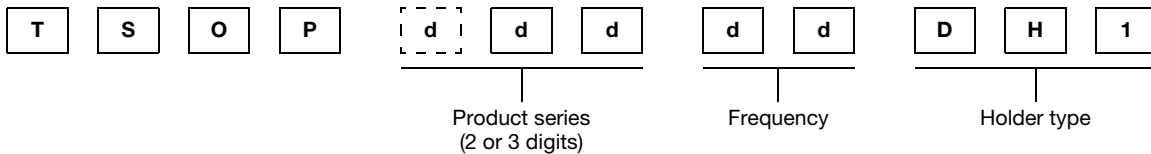
**PACKAGING DIMENSIONS** in millimeters



Drawing-No.: 9.700-5384.0-4  
Issue: 1; 02.09.11

22600

**ORDERING INFORMATION**



**Note**

- d = "digit", please consult the list of available series on the previous page to create a valid part number

**Example: TSOP4838DH1**

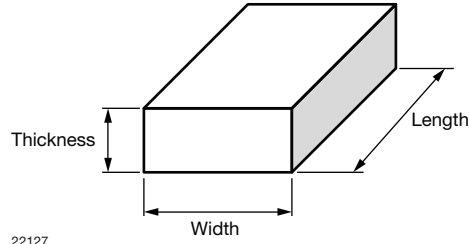
**PACKAGING QUANTITY**

- 90 pieces per tube
- 44 tubes per carton



**OUTER PACKAGING**

**CARTON BOX DIMENSIONS** in millimeters



<b>KINDS OF CARTON BOX</b>	<b>THICKNESS</b>	<b>WIDTH</b>	<b>LENGTH</b>
Packaging plastic tubes (normal / auxiliary devices)	80	150	600
Packaging plastic trays (devices with metal holders)	120	290	490
Tape and reel box (taping in reels)	400	310	410
Ammo-box (zigzag taping)	50	130	350