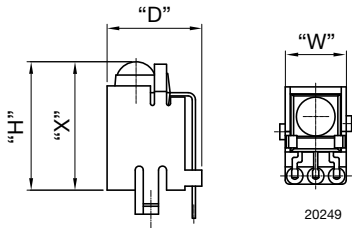
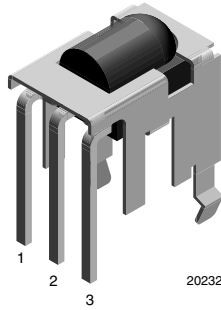


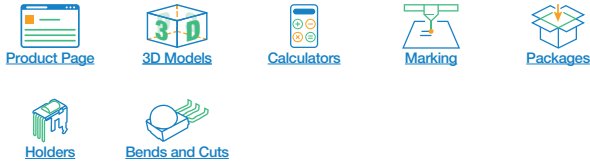
Top View Holder: D = 10.1 mm, H = 8.0 mm, W = 6.5 mm, X = 8.0 mm


FEATURES

- Material categorization: for definitions of compliance please see www.vishay.com/doc?99912

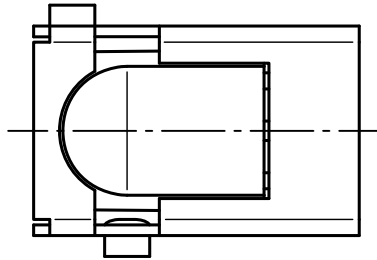
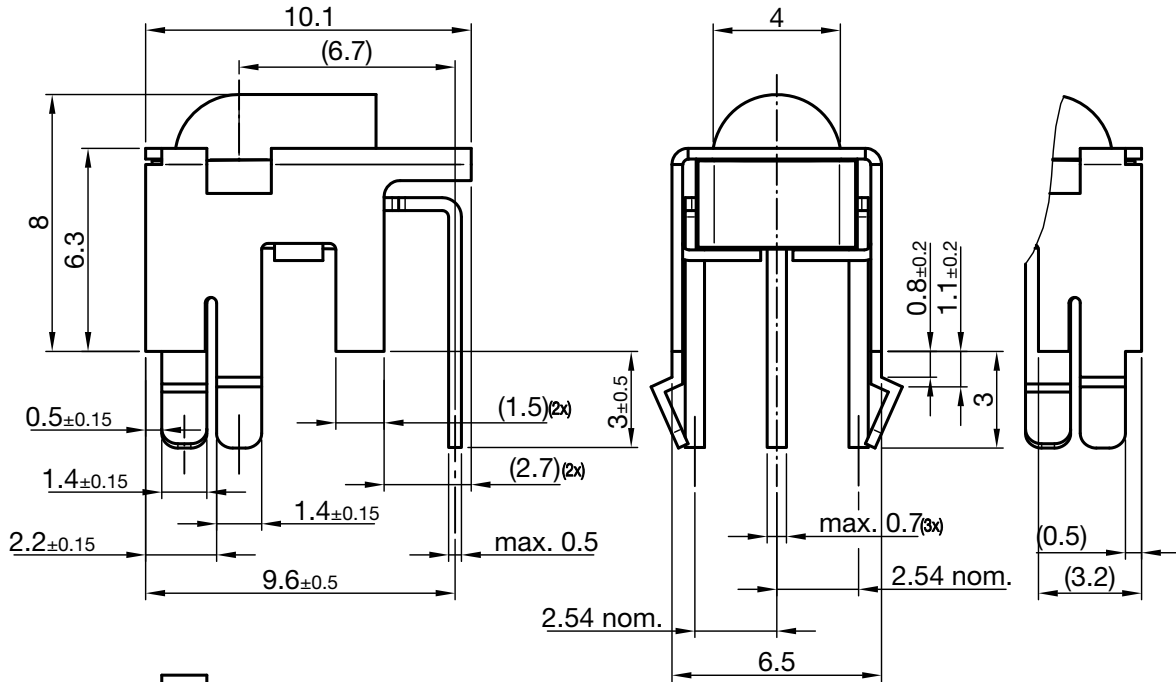

AVAILABLE FOR

- Minicast

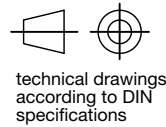

LINKS TO ADDITIONAL RESOURCES


NAME	LENS AXIS (X)	VIEW	TYPE	HEIGHT (H)	WIDTH (W)	DEPTH (D)
CB1	8.0	Top	Holder	8.0	6.5	10.1

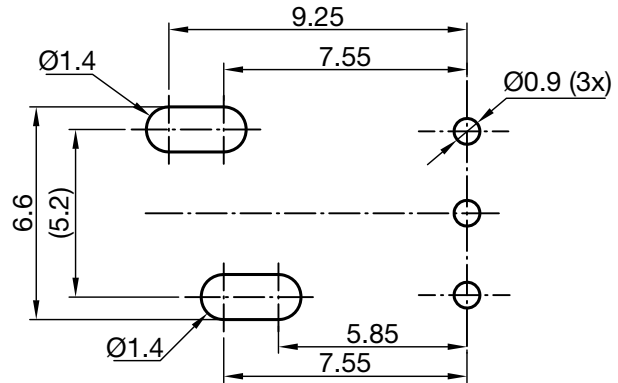
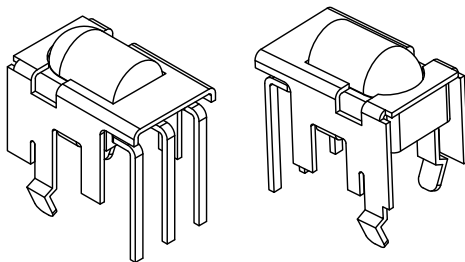
MECHANICAL DIMENSIONS in millimeters



Not indicated tolerances ±0.3

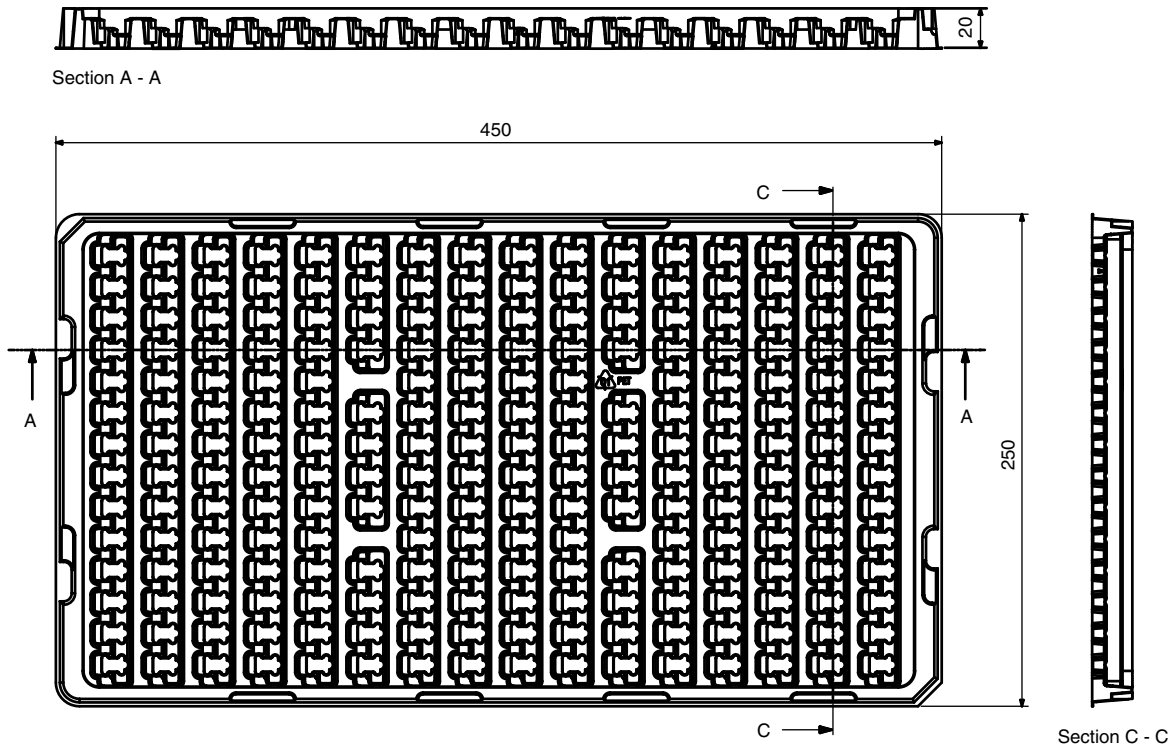


Proposed hole layout from component side (for reference only)



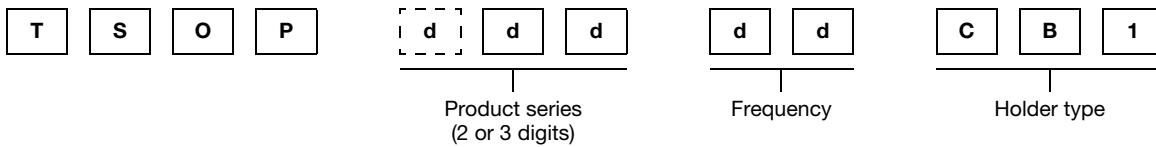
Drawing no.: 6.550-5324.01-4
Issue: 1; 16.10.12

PACKAGING DIMENSIONS in millimeters



Drawing-No. 9.700-5307.01-1
 Issue 1; 17.06.09
 21799

ORDERING INFORMATION



Note

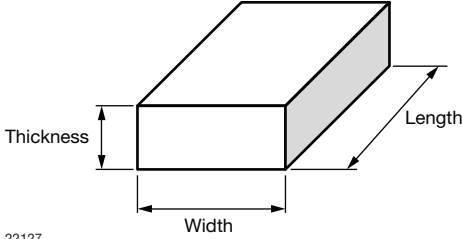
- d = "digit", please consult the list of available series on the previous page to create a valid part number

Example: TSOP58436CB1

PACKING QUANTITY

- 220 pieces per tray
- 7 trays per carton

OUTER PACKAGING

CARTON BOX DIMENSIONS in millimeters			
 <p style="text-align: center;">22127</p>			
KINDS OF CARTON BOX	THICKNESS	WIDTH	LENGTH
Packaging plastic tubes (normal / auxiliary devices)	80	150	600
Packaging plastic trays (devices with metal holders)	120	290	490
Big box (bulk packaging)	150	180	400
Secondary box (taping in reels)	400	310	410
Ammo-box (zigzag taping)	50	130	350

Vishay offers plastic and metal holder which have different characteristics:

- *Plastic Pros: nearly invisible behind the bezel*
- *Plastic Cons: cannot be reflow soldered, wave soldering deforms the hooks (visual issue only, the part is secured by the leads after soldering)*
- *Metal Pros: may be reflow and wave soldered, improves EMI and RF rejection*
- *Metal Cons: appears shiny behind the bezel, will oxidize over time (visual issue only, the holder functionality is not impaired)*