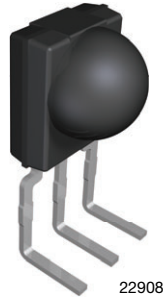
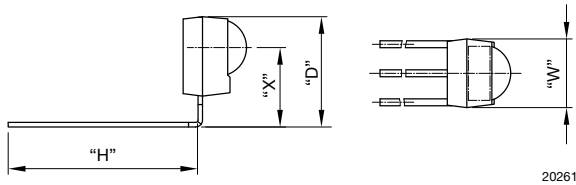


**Bent Leads:**  
**D = 11.85 mm, H = 3.8 mm, W = 5.4 mm, X = 9.3 mm**


**AVAILABLE FOR**

- Minimold


**LINKS TO ADDITIONAL RESOURCES**

[Product Page](#)

[3D Models](#)

[Calculators](#)

[Marking](#)

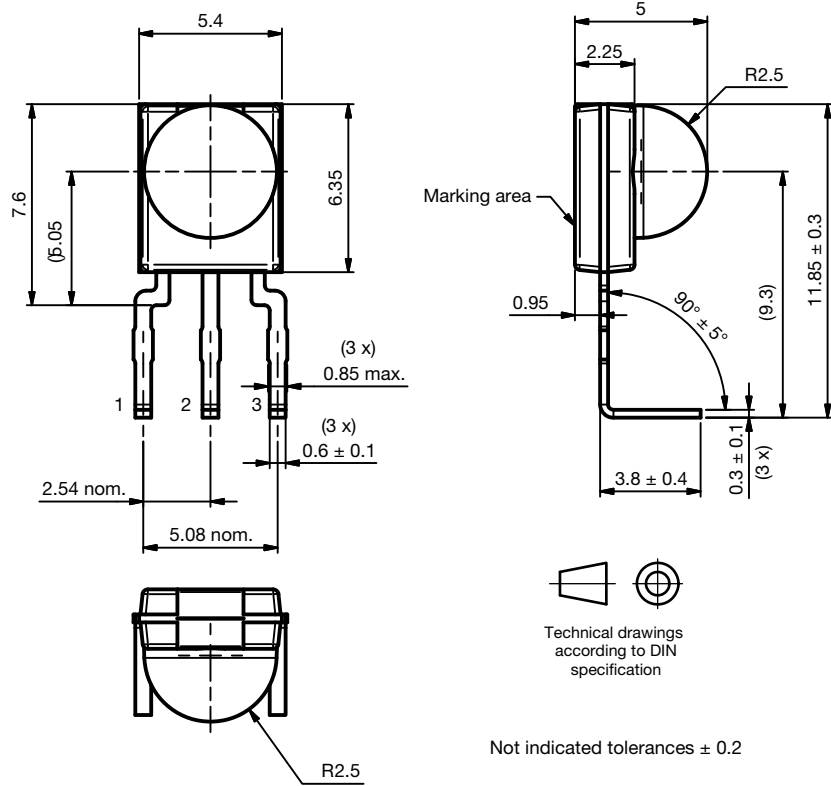
[Packages](#)

[Holders](#)

[Bends and Cuts](#)

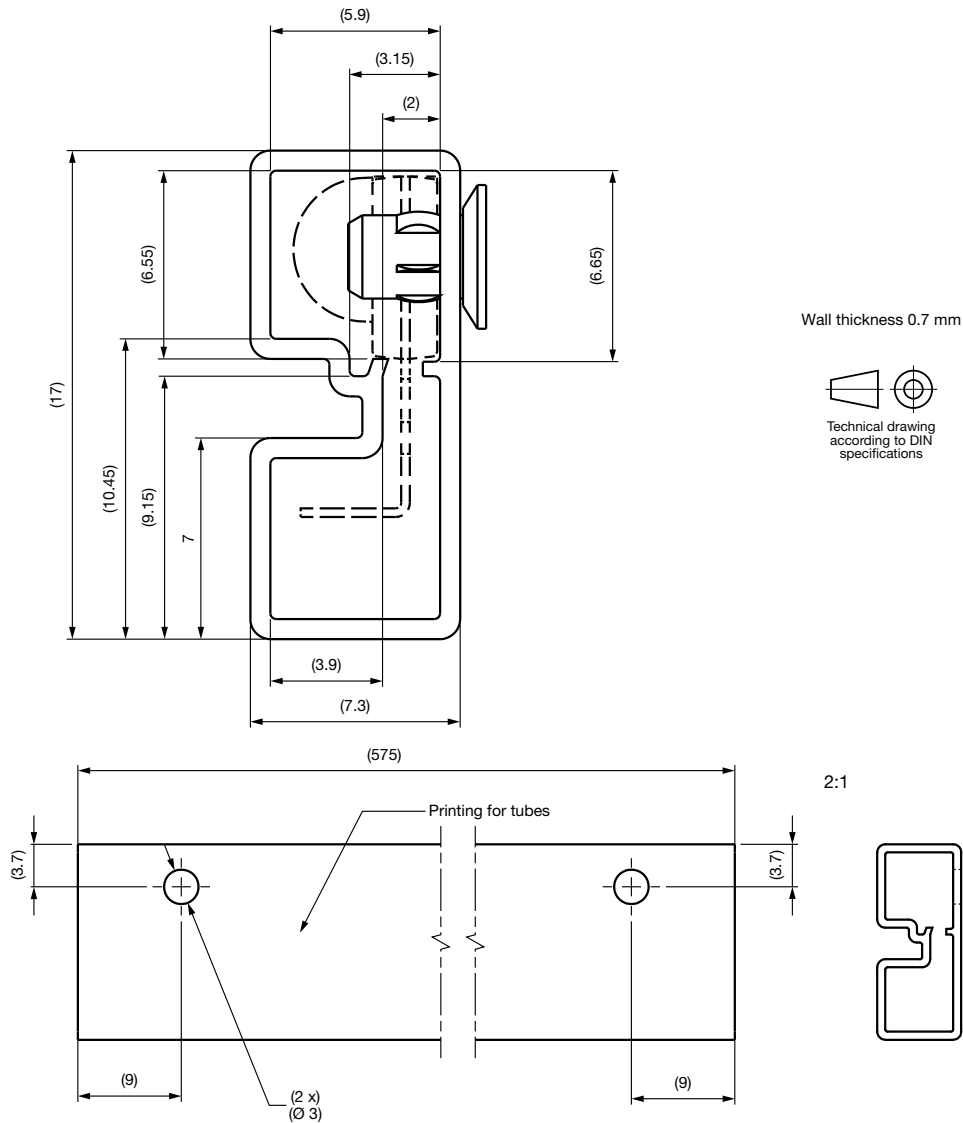
NAME	LENS AXIS (X)	VIEW	TYPE	HEIGHT (H)	WIDTH (W)	DEPTH (D)
DJ1	9.3	-	Bend	3.8	5.4	11.85

**MECHANICAL DIMENSIONS** in millimeters



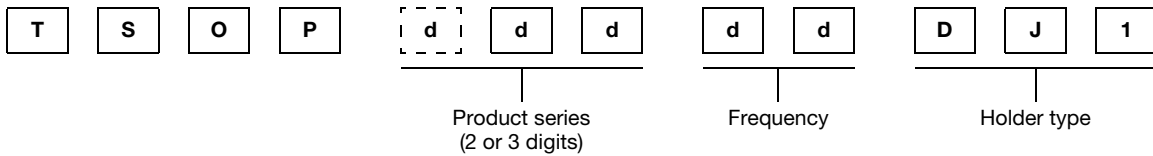
Drawing-No.: 6.550-5342.01-4  
Issue: 2; 02.07.19

**PACKAGING DIMENSIONS** in millimeters



Drawing-No.: 9.700-5402.01-4  
Issue: 1; 30.06.16

**ORDERING INFORMATION**



**Note**

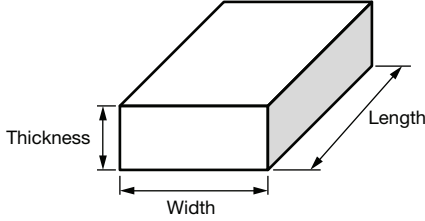
- d = "digit", please consult the list of available series on the previous page to create a valid part number

**Example: TSOP53538DJ1**

**PACKAGING QUANTITY**

- 100 pieces per tube
- 72 tubes per carton

**OUTER PACKAGING**

<b>CARTON BOX DIMENSIONS</b> in millimeters			
			
<b>KINDS OF CARTON BOX</b>	<b>THICKNESS</b>	<b>WIDTH</b>	<b>LENGTH</b>
Packaging plastic tubes (normal / auxiliary devices)	80	150	600
Packaging plastic trays (devices with metal holders)	120	290	490
Big box (bulk packaging)	150	180	400