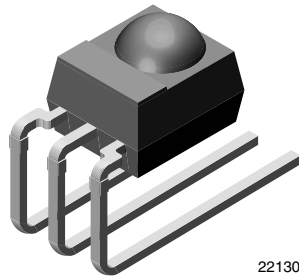


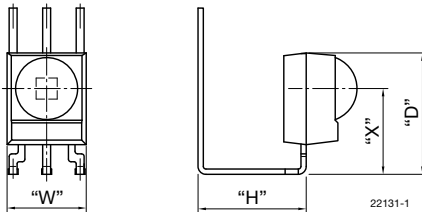
Bent Leads:
D = 9.2 mm, H = 8.2 mm, W = 6 mm, X = 6.5 mm



22130

AVAILABLE FOR

- Mold



22131-1

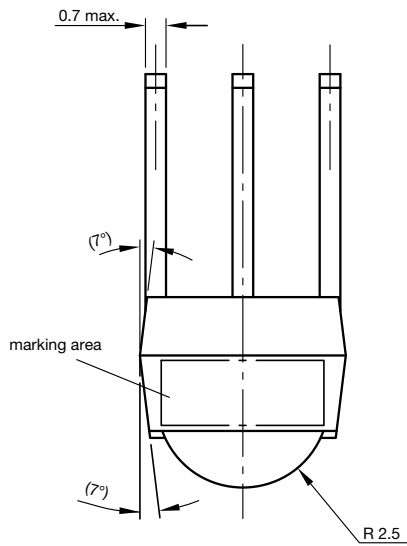
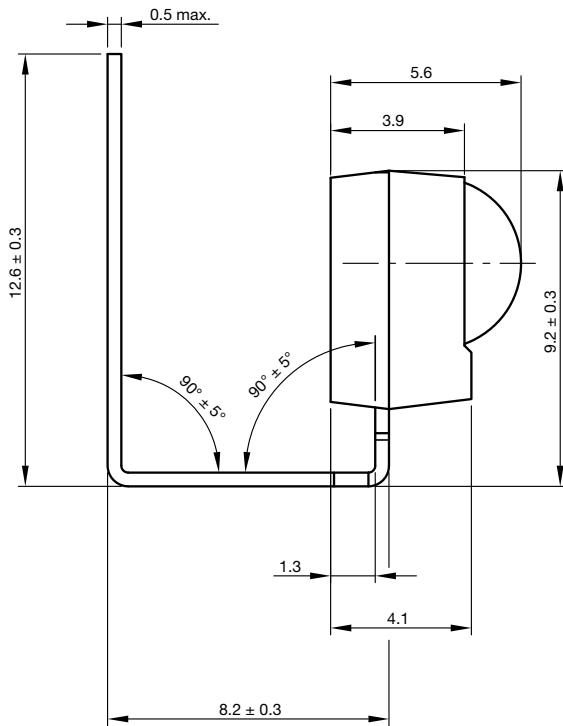
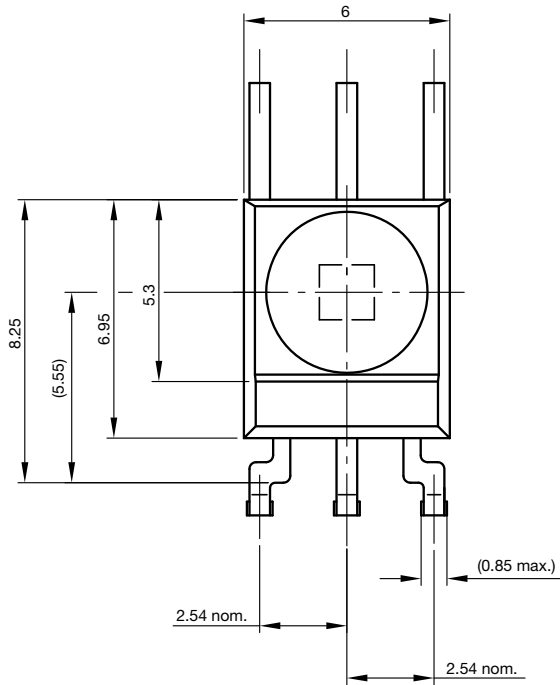
LINKS TO ADDITIONAL RESOURCES

- [Product Page](#)
- [3D Models](#)
- [Calculators](#)
- [Marking](#)
- [Packages](#)
- [Holders](#)
- [Bends and Cuts](#)

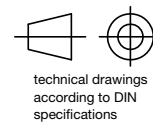
NAME	LENS AXIS (X)	VIEW	TYPE	HEIGHT (H)	WIDTH (W)	DEPTH (D)
DI1	6.5	-	Bend	8.2	6	9.2



MECHANICAL DIMENSIONS in millimeters

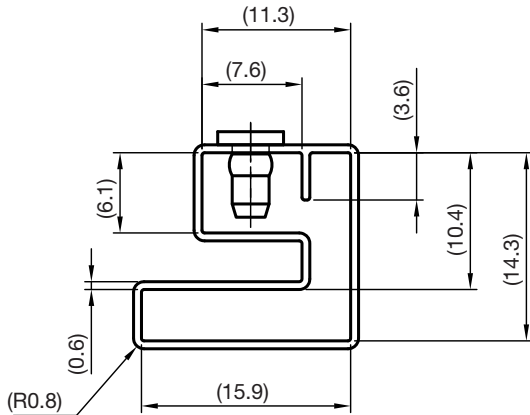


Not indicated tolerances ± 0.2

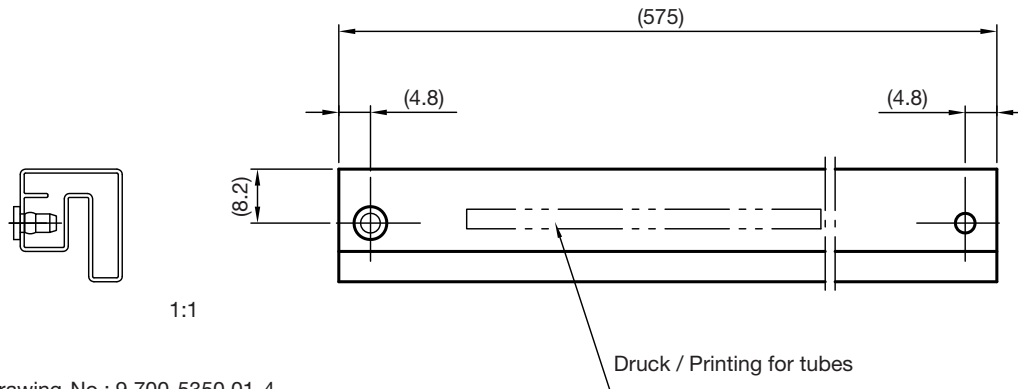


Drawing-No.: 6.550-5308.01-4
Issue: 2; 19.11.10
22129

PACKAGING DIMENSIONS in millimeters

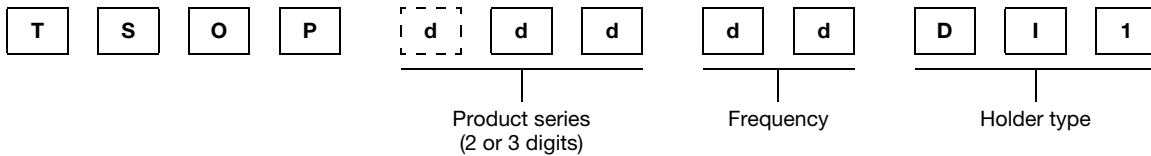


Wanddicke/wall thickness: 0.6



Drawing-No.: 9.700-5350.01-4
Issue: 1; 21.05.10
22128

ORDERING INFORMATION



Note

- d = "digit", please consult the list of available series on the previous page to create a valid part number

Example: TSOP4836DI1

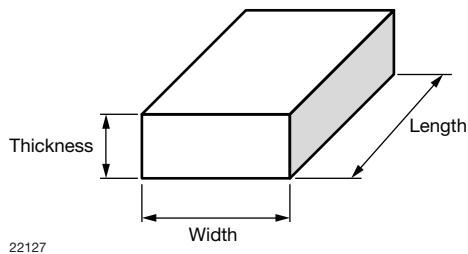
PACKAGING QUANTITY

- 90 pieces per tube
- 32 tubes per carton



OUTER PACKAGING

CARTON BOX DIMENSIONS in millimeters



KINDS OF CARTON BOX	THICKNESS	WIDTH	LENGTH
Packaging plastic tubes (normal / auxiliary devices)	80	150	600
Packaging plastic trays (devices with metal holders)	120	290	490
Tape and reel box (taping in reels)	400	310	410
Ammo-box (zigzag taping)	50	130	350