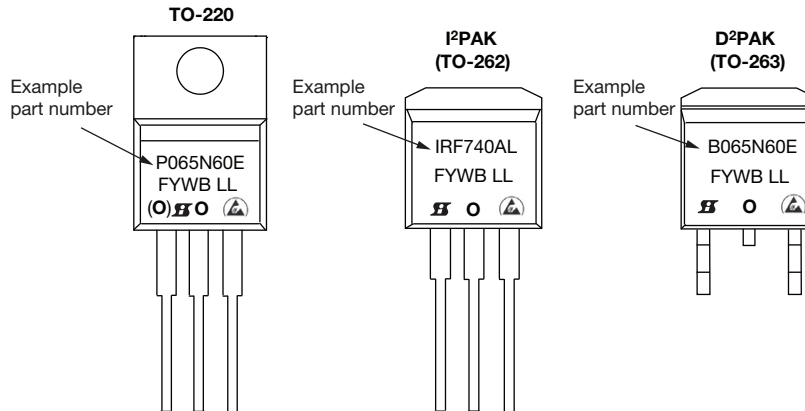




Devices: TO-220, I²PAK (TO-262), D²PAK (TO-263) (High Voltage)



= ESD symbol = Δ



= Siliconix logo

F = assembly factory code

Y = year code

W = week code

B = wafer fab code

LL = lot code

O = mold dimple

YEAR CODE			
YEAR	CODE	YEAR	CODE
2010	0	2020	0
2011	1	2021	1
2012	2	2022	2
2013	3	2023	3
2014	4	2024	4
2015	5	2025	5
2016	6	2026	6
2017	7	2027	7
2018	8	2028	8
2019	9	2029	9

WEEK CODE	
WW	WEEK CODE
1 to 6	1
7 to 12	2
13 to 18	3
19 to 24	4
25 to 30	5
31 to 36	6
37 to 42	7
43 to 48	8
49 to 53	9

The current marking strategy is reflected. Contact your local sales representative for historical marking strategies for these packages.