

5108712.5 mm Modular Panel Potentiometer High Dielectric Strength



FEATURES

- High dielectric strength potentiometer up to 5000 V_{RMS}
- 12.5 mm square single turn panel control
- Plastic shaft and bushing
- Two shaft lengths and 29 terminal styles
- P11P: cermet element
- P11D: conductive plastic element
- Multiple assemblies - up to seven modules
- Test according to CECC 41000 or IEC 60393-1
- Shaft and panel sealed version
- Up to twenty-one indent positions
- Rotary switch options
- Custom designs on request
- Material categorization: for definitions of compliance please see www.vishay.com/doc?99912


**RoHS
COMPLIANT**

LINKS TO ADDITIONAL RESOURCES



3D Models


 Capabilities and
Custom Options

QUICK REFERENCE DATA	
Multiple module	Up to 7 modules
Switch module	Yes
Detent module	Yes
Special electrical laws	A: linear, L: logarithmic, F: reverse logarithmic and others see specification
Sealing level	IP 64
Lifespan	50K cycles

VERSATILE	MODULAR	COMPACT	ROBUST
-----------	---------	---------	--------

CONFIGURATION EXAMPLE - Dimensions in millimeters (inches) ± 0.5 mm (± 0.02")

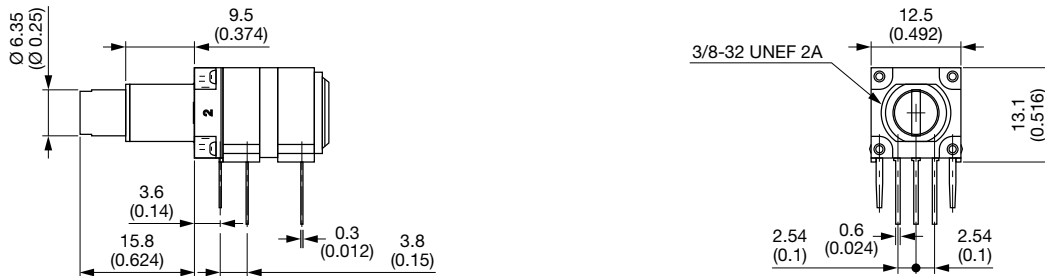
Single module, single shaft, solder lugs, metric bushing and shaft

DETAIL A

Single module, single shaft, vertical mounting, PC pins with support plate, metric bushing and shaft

CONFIGURATION EXAMPLE - Dimensions in millimeters (inches) ± 0.5 mm (± 0.02")

Dual modules, single shaft, PC pins with front support plates, imperial bushing and shaft


GENERAL SPECIFICATIONS

ELECTRICAL (initial)		P11D	P11P
Resistive element		Conductive plastic	Cermet
Electrical travel		270° ± 10°	270° ± 10°
Resistance range (1)	linear taper	1 kΩ to 500 kΩ	20 Ω to 10 MΩ
	non-linear taper	470 Ω to 250 kΩ	100 Ω to 2.2 MΩ
Tolerance	standard	± 20 %	± 20 %
	on request	± 10 %	± 5 % or ± 10 %
Taper			
Circuit diagram			
Power rating at 70 °C	linear taper	0.5 W at +70 °C	1 W at +70 °C
	non-linear taper	0.25 W at +70 °C	0.5 W at +70 °C
	multiple assemblies	0.25 W at +70 °C per module	0.5 W at +70 °C per module



ELECTRICAL (initial)		
	P11D	P11P
Temperature coefficient, -40 °C to +100 °C (typical)	± 500 ppm	± 150 ppm
Limiting element voltage	350 V	350 V
End resistance (typical)	2 Ω	2 Ω
Contact resistance variation (typical) linear taper	1 %	2 % or 3 Ω
Independent linearity (typical) linear taper	± 5 %	± 5 %
Insulation resistance	10 ⁶ MΩ min.	10 ⁶ MΩ min.
Dielectric strength	leads to support plate	3000 V _{RMS} min.
	leads to shaft and bushing	5000 V _{RMS} min.
Mechanical endurance	50 000 cycles	50 000 cycles

Notes

- Nothing stated herein shall be construed as a guarantee of quality or durability
- (1) Consult Vishay Sfernice for other ohmic values

MECHANICAL (initial)	
Mechanical travel	300° ± 5°
Operating torque (typical)	0.2 Ncm to 1 Ncm max. (0.3 oz.-inch to 1.4 oz.-inch max.) 0.2 Ncm to 0.3 Ncm max. (0.3 oz.-inch to 0.45 oz.-inch max.)
End stop torque	80 Ncm max. (6.8 lb-inch max.)
Tightening torque	150 Ncm max. (13 lb-inch max.)
Weight	3.5 g
	single assemblies
	two to seven modules (per module)
	1.5 g to 2 g (0.25 oz. to 0.32 oz.)

ENVIRONMENTAL SPECIFICATIONS		
	P11D	P11P
Operating temperature range	-40 °C to +100 °C	-40 °C to +100 °C
Climatic category	40/100/21	40/100/56
Sealing	IP64	IP64
Storage temperature	-40 °C to +100 °C	-40 °C to +100 °C

MARKING
<ul style="list-style-type: none"> • Potentiometer module Vishay logo, SAP code of ohmic value, tolerance in %, variation law, manufacturing date (four digits), "3" for the lead 3, product series (P11D, P11P) • Switch module Version, manufacturing date (four digits), "c" for common lead • Indent module Version, manufacturing date (four digits)

PACKAGING
<ul style="list-style-type: none"> • Box

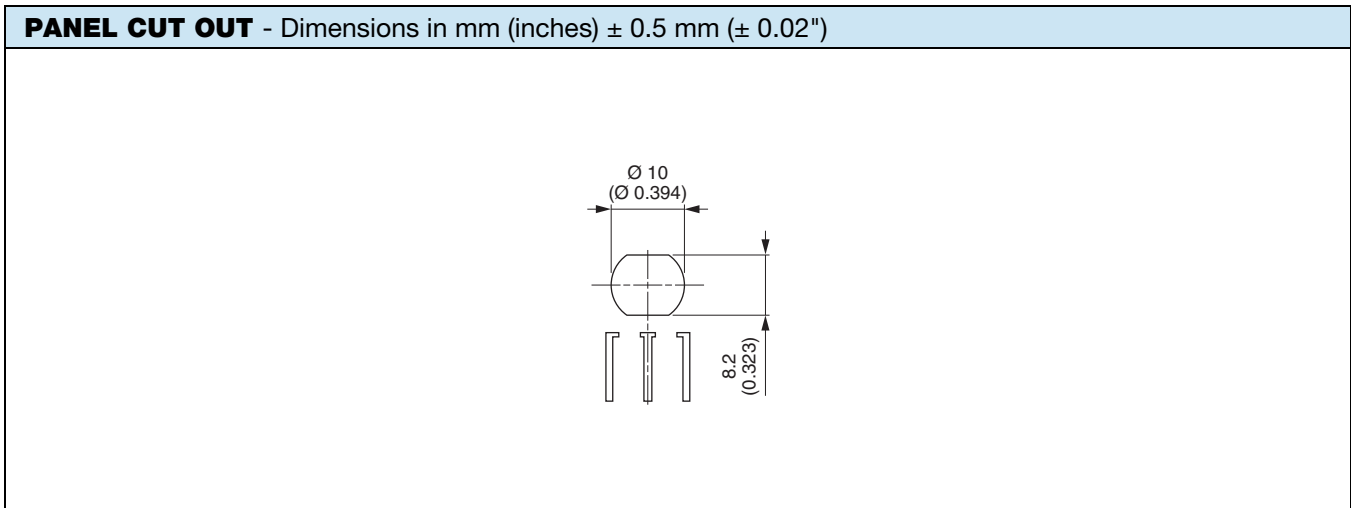
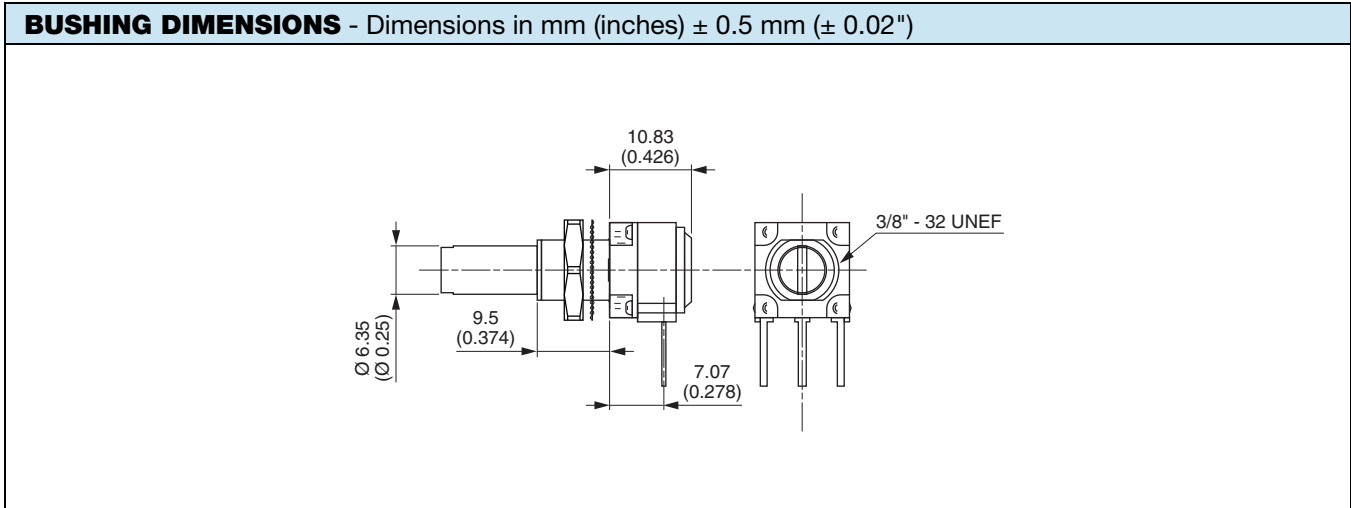
PERFORMANCES				
TESTS	CONDITIONS	TYPICAL VALUE AND DRIFTS		
			P11D	P11P
Electrical endurance	1000 h at rated power 90°/30' - ambient temp. 70 °C	$\Delta R_T/R_T$	± 10 %	± 2 %
		Contact resistance variation	± 5 %	± 4 %
Change of temperature	-40 °C to +100 °C, 5 cycles	$\Delta R_T/R_T$	± 0.5 %	± 0.2 %
Damp heat, steady state	+40 °C, 93 % relative humidity P11P: 56 days, P11D: 21 days	$\Delta R_T/R_T$	± 5 %	± 2 %
		Insulation resistance	> 10 MΩ	> 1000 MΩ
Mechanical endurance	50 000 cycles	$\Delta R_T/R_T$	± 6 %	± 5 %
		Contact resistance variation	± 4 %	± 5 %
Climatic sequence	Dry heat at +125 °C/damp heat cold -55 °C/damp heat, 5 cycles	$\Delta R_T/R_T$	-	± 1 %
Shock	50 g's, 11 ms 3 shocks - 3 directions	$\Delta R_T/R_T$	± 0.2 %	± 0.2 %
		$\Delta R_{1-2}/R_{1-2}$	± 0.5 %	± 0.5 %
Vibration	10 Hz to 55 Hz 0.75 mm or 10 g's, 6 h	$\Delta R_T/R_T$	± 0.2 %	± 0.2 %
		$\Delta V_{1-2}/V_{1-3}$	± 0.5 %	± 0.5 %



ORDERING INFORMATION (part number)																	
P	1	1	P	2	F	0	G	G	S	Y	0	0	1	0	3	M	A
MODEL	STYLE			NUMBER OF MODULES	BUSHING	OPTION	SHAFT	SHAFT STYLE	LEADS	RESISTANCE CODE/TOLERANCE/TAPER OR SPECIAL							
P11	P = cermet element D = conductive plastic (audio)			1 2 3 4 5 6 7													

STANDARD RESISTANCE ELEMENT DATA												
STANDARD RESISTANCE VALUES	P11P CERMET						P11D CONDUCTIVE PLASTIC					
	LINEAR TAPER			NON LINEAR TAPER			LINEAR TAPER			NON LINEAR TAPER		
	MAX. POWER AT 70 °C	MAX. WORKING VOLTAGE	MAX. CUR. THROUGH WIPER	MAX. POWER AT 70 °C	MAX. WORKING VOLTAGE	MAX. CUR. THROUGH WIPER	MAX. POWER AT 70 °C	MAX. WORKING VOLTAGE	MAX. CUR. THROUGH WIPER	MAX. POWER AT 70 °C	MAX. WORKING VOLTAGE	MAX. CUR. THROUGH WIPER
Ω	W	V	mA	W	V	mA	W	V	mA	W	V	mA
22	1	4.69	213									
47	1	6.86	146									
50	1	7.07	141									
100	1	10.0	100	0.5	7.07	70.7						
220	1	14.8	67.4	0.5	10.0	47.7						
470	1	21.7	46.1	0.5	15.3	32.6						
500	1	22.4	44.7	0.5	15.8	31.6				0.25	11.2	22.4
1K	1	31.6	31.6	0.5	22.4	22.4	0.5	22.4	22.4	0.25	15.8	15.8
2.2K	1	46.9	21.3	0.5	33.2	15.1	0.5	33.2	15.1	0.25	23.5	10.7
4.7K	1	63.6	14.5	0.5	48.5	10.3	0.5	48.5	10.3	0.25	34.3	7.29
5K	1	70.7	14.1	0.5	50.0	10.0	0.5	50.0	10.0	0.25	35.4	7.07
10K	1	100	10.0	0.5	70.7	7.07	0.5	70.7	7.07	0.25	50.0	5.00
22K	1	148	6.74	0.5	105	4.77	0.5	105	4.77	0.25	74.2	3.37
47K	1	217	4.61	0.5	153	3.26	0.5	153	3.26	0.25	108	2.31
50K	1	224	4.47	0.5	158	3.16	0.5	158	3.16	0.25	112	2.24
100K	1	316	3.16	0.5	224	2.24	0.5	224	2.24	0.25	158	1.58
220K	0.56	350	1.59	0.5	332	1.51	0.5	332	1.51	0.25	235	1.07
470K	0.26	350	0.75	0.26	349	0.74	0.26	350	0.74	0.25	343	0.73
500K	0.25	350	0.70	0.25	350	0.70	0.25	350	0.70	0.25	350	0.70
1M	0.12	350	0.35	0.12	350	0.35	0.12	350	0.35			
2.2M	0.56	350	0.16	0.056	350	0.16						
4.7M	0.26	350	0.074									
5M	0.25	350	0.070									
10M	0.12	350	0.035									

ORDERING INFORMATION (part number)																									
P	1	1	P	2	F	0	G	G	S	Y	0	0	1	0	3	M	A								
MODEL	STYLE	NUMBER OF MODULES	BUSHING			OPTION	SHAFT	SHAFT STYLE	LEADS	RESISTANCE CODE/ TOLERANCE/ TAPER OR SPECIAL															
P11			<table border="1"> <thead> <tr> <th></th> <th>Ø</th> <th>L</th> </tr> </thead> <tbody> <tr> <td>F</td> <td>3/8"</td> <td>3/8"</td> </tr> </tbody> </table>				Ø	L	F	3/8"	3/8"														
	Ø	L																							
F	3/8"	3/8"																							



Note

- Hardware supplied in separate bags

ORDERING INFORMATION (part number)

P	1	1	P	2	F	0	G	G	S	Y	0	0	1	0	3	M	A
MODEL	STYLE	NUMBER OF MODULES	BUSHING	OPTION				SHAFT	SHAFT STYLE	LEADS	RESISTANCE CODE/TOLERANCE/TAPER OR SPECIAL						

Location pegs:

mm	Ø	L
A	2	6.2
B	2	7.75
C	3.5	13.5
0	Without peg	

Sealed version:

P	Panel and shaft sealed
---	------------------------

LOCATING PEGS (anti-rotation lug)

The locating peg is provided by a plate mounted on the bushing and positioned by the module sides. Four set positions are available, clock face orientation: 12, 3, 6, 9.

Bushings have a double flat. When panel mounting holes have been punched accordingly, an anti-rotation lug is not necessary.

CODE	Ø d (mm)	L (mm)	EFFECTIVE HIGH PEG
A	2	6.2	0.7
B	2	7.75	0.7
C	3.5	13.5	1.1

PANEL AND SHAFT SEALED

O ring plate can not be used with locating pegs.

- Note**
- Locating pegs and panel o ring are supplied in separate bags with nuts and washers



ORDERING INFORMATION (part number)

P	1	1	P	2	F	0	G	G	S	Y	0	0	1	0	3	M	A													
MODEL	STYLE	NUMBER OF MODULES	BUSHING	OPTION	SHAFT			SHAFT STYLE	LEADS	RESISTANCE CODE/TOLERANCE/TAPER OR SPECIAL																				
					<table border="1" style="width: 100%; border-collapse: collapse;"> <thead> <tr> <th>CODE</th> <th>L (inch)</th> <th>L (mm)</th> </tr> </thead> <tbody> <tr> <td>GG</td> <td>5/8</td> <td>15.8</td> </tr> <tr> <td>GJ</td> <td>7/8</td> <td>22.2</td> </tr> </tbody> </table>			CODE	L (inch)	L (mm)	GG	5/8	15.8	GJ	7/8	22.2	S = Slotted													
CODE	L (inch)	L (mm)																												
GG	5/8	15.8																												
GJ	7/8	22.2																												

SHAFTS - Dimensions in mm (inches) ± 0.5 mm (± 0.02")

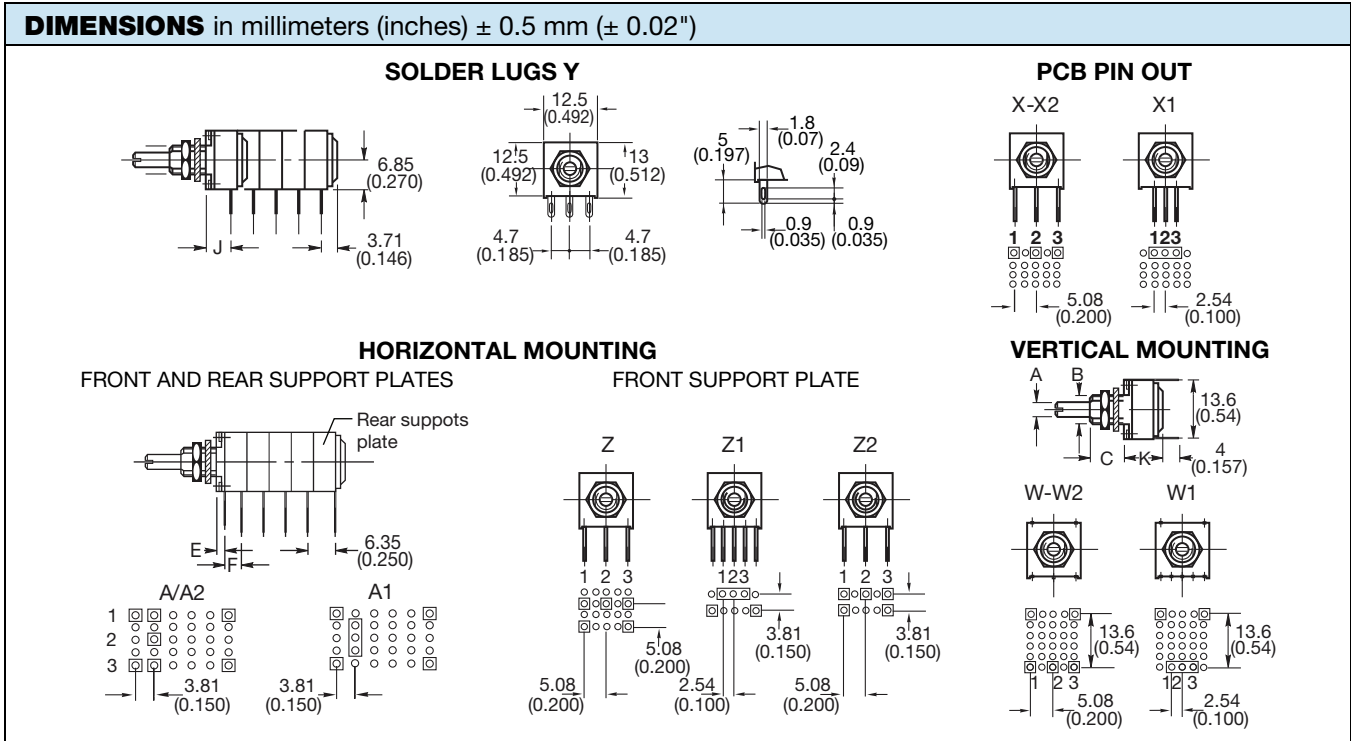
The shaft length are always measured from the mounting face.

Shafts are designed by a 3 letter code (3 digits). Shafts are slotted and aligned to ± 10° of the wiper position.



ORDERING INFORMATION (part number)																	
P	1	1	P	2	F	0	G	G	S	Y	0	0	1	0	3	M	A
MODEL	STYLE	NUMBER OF MODULES	BUSHING	OPTION	SHAFT	SHAFT STYLE	LEADS					RESISTANCE CODE/TOLERANCE/TAPER OR SPECIAL					
							Available leads										
							A00	W00	X00	Y00	Z00						
							A10	W10	X03	Y03	Z03						
							A13	W20	X04	Y04	Z04						
							A14		X10		Z10						
							A20		X13		Z13						
							A23		X14		Z14						
							A24		X20		Z20						
									X23		Z23						
									X24		Z24						

FIRST DIGIT		SECOND DIGIT		THIRD DIGIT		
Y	Soldering lugs	0	Y = 4.65 (0.183") A, X, Z, W = 5.08 (0.200") pin spacing pins section 0.9 x 0.3 (0.035" x 0.012")	0	5.08 (0.200") space between modules	
X	PCB pins		1	2.54 (0.100") pin spacing pin section 0.6 x 0.3 (0.024" x 0.012")	3	7.62 (0.300") space between modules
Z	PCB pins with front support plate			2	5.08 (0.200") pin spacing pins section 0.6 x 0.3 (0.024" x 0.012")	4
A	PCB pins with front and back support plates					
W	PCB pins - vertical mounting with 2 extra pins - 1 module only (more modules on request)					



THE POSITION OF EACH MODULE IS FREE

	LEADS			
	X../Y..	A../Z1./Z2.	Z0. (except with rotary switch)	Z0. (with rotary switch)
E	-	3.63 (0.14)	3.81 (0.15)	2.15 (0.085)
F	-	3.81 (0.15)	5.08 (0.20)	5.08 (0.20)
J	7.06 (0.278)	-	-	-



ORDERING INFORMATION (part number)																	
P	1	1	P	2	F	0	G	G	S	Y	0	0	1	0	3	M	A
MODEL	STYLE	NUMBER OF MODULES	BUSHING	LOCATING PEG	SHAFT	SHAFT STYLE	LEADS	RESISTANCE CODE/ TOLERANCE/ TAPER OR SPECIAL									
								From 20 Ω to 10 MΩ see instructions on electrical specifications Resistance code: 200 = 20 Ω to 106 = 10 MΩ Tolerance code: standard: M = ± 20 % on request: K = ± 10 %, J = ± 5 % (cermet only) Taper: A, L, W, F, S, R or special code given by Vishay									

SPECIAL CODES GIVEN BY VISHAY
Option available: <ul style="list-style-type: none"> • Custom design on request • Specific linearity • Specific interlinearity • Specific taper • Multiple assemblies with various modules

P11 OPTION: ROTARY SWITCH MODULES


- Rotary switch
- Current up to 2 A
- Actuation CW or CCW position
- Sealing IP60

**MODULES: RS ON/OFF SWITCH
RSI CHANGEOVER SWITCH**

The position of each module is free.

RS and RSI rotary switches are housed in a standard P11 module size 12.7 mm x 12.7 mm x 5.08 mm (0.5" x 0.5" x 0.2"). They have the same terminal styles as the assembled electrical modules.

An assembly can comprise 1 or more switch modules.

Switch actuation is described as seen from the shaft end.

D: means actuation in maximum CCW position

F: means actuation in maximum CW position

The switch actuation travel is 25° with a total mechanical travel of 300° ± 5° and electrical travel of electrical modules is 238° ± 10°.

Leads finish: gold plated

RSD SINGLE POLE SWITCH, NORMALLY OPEN

In full CCW position, the contact between 1 and 3 is open. It is made at the beginning of the travel in CW direction.

RSF SINGLE POLE SWITCH, NORMALLY OPEN

In full CW position, the contact between 1 and 3 is open. It is made at the beginning of the travel in CCW direction.

RSID SINGLE POLE CHANGEOVER

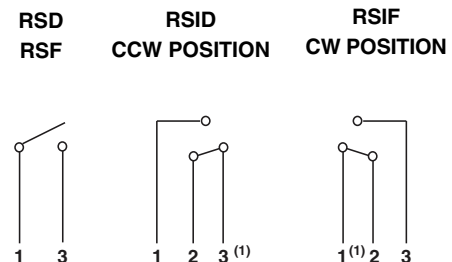
In full CCW position, the contact is made between 3 and 2 and open between 3 and 1. Switch actuation (CW direction) reverses these positions.

RSIF SINGLE POLE CHANGEOVER

In full CW position, the contact is made between 1 and 2 and open between 1 and 3. Switch actuation (CCW direction) reverses these positions.

SWITCH SPECIFICATIONS

Switching power maximum	62.5 VA v 15 VA =	
Switching current maximum	0.25 A 250 V v 0.5 A 30 V =	
Maximum current through element	2 A	
Contact Resistance	100 mΩ	
Dielectric strength	Terminal to terminal	1000 V _{RMS}
	Terminal to bushing	5000 V _{RMS}
Maximum voltage operation	250 V v 30 V =	
Insulation resistance between contacts	10 ⁶ MΩ	
Life at P _{max.}	10 000 actuations	
Minimal travel	25°	
Operating temperature	-40 °C to +85 °C	

ELECTRICAL DIAGRAM

Note

(1) Common

ORDERING INFORMATION (First order only)

RSID

RSD	SPST: single pole, open switch in CCW position - 2 pins
RSF	SPST: single pole, open switch in CW position - 2 pins
RSID	SPDT: single pole, changeover switch in CCW position - 3 pins
RSIF	SPDT: single pole, changeover switch in CW position - 3 pins

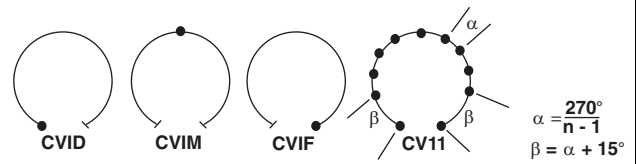
P11 OPTION: DETENT MODULES

The detents mechanism is housed in a standard P11 module.
Up to 21 detent positions available.

Count detents as follows: 1 for CCW position, 1 for full CW position, plus the other positions forming equal resistance increments (linear taper) - not equal angles.

Available: CVID - CVIF - CVIM
CV3 - CV11 - CV21

Mechanical endurance: 10 000 cycles


ORDERING INFORMATION (First order only for special code creation)

CV1M

CV1M	1 detent at half travel
CV1M J84	CV1M with accuracy of center point $\pm 2\%$ (all tapers except S)
CV1D	1 detent at CCW position
CV1F	1 detent at CW position
CV3	3 detents
CV11	11 detents
CV21	21 detents

P11 OPTION: NEUTRAL MODULES "EN"

Neutral or screen module is housed in a standard P11 module.
It is used as a screen between two electrical modules.

The leads can be connected to ground.

ORDERING INFORMATION (first order only for special code creation)

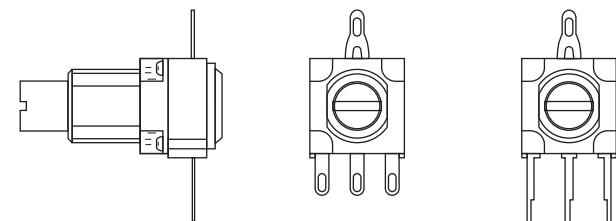
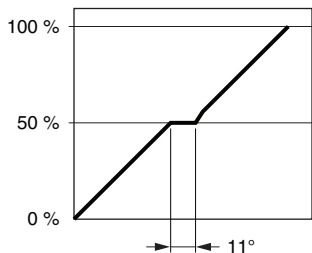
EN

EN Neutral module

P11 OPTION: CENTER CURRENT TAP "J"

The extra terminal is a solder lug connected at 50 % of electrical travel and situated in the potentiometer module opposite the terminals.

Center tap presents a short circuit of 11° of travel.



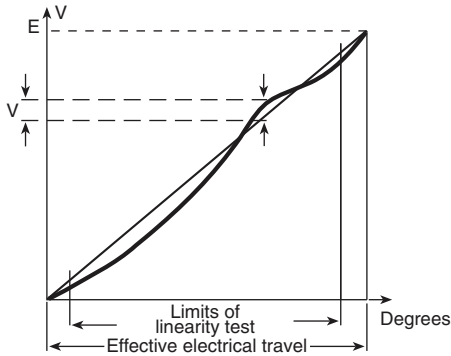
- Sealing IP60

ORDERING INFORMATION (First order only)

J

J Center tap

P11 OPTION: SPECIAL LINEARITY - CONFORMITY



The independent linearity (conformity for the non linear laws) is the maximum gap ΔV between the actual variation curve and the theoretical variation curve the nearest to it. The linearity and the conformity are expressed in percentage of the total applied voltage E

$$\text{linearity conformity} = \frac{\pm \Delta V_{\text{max.}}}{E}$$

They are measured over 90 % of actual electrical travel (centered).

On request linearity can be guaranteed in linear law.

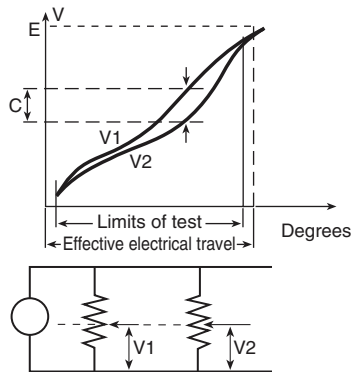
ORDERING INFORMATION (First order only)

J123

J123 Independent linearity $\pm 3\%$ (linear taper)
J145 Independent linearity $\pm 2\%$ (linear taper)

For other request, contact us.

P11 OPTION: SPECIAL INTERLINEARITY - INTERCONFORMITY



It is the maximum deviation between the actual voltage outputs of 2 or more pot modules in the same assembly. It is expressed as a percentage of the total applied voltage, or in dB attenuation.

Interlinearity is measured between 2 pot modules, over 20 to 90 % of the attenuation.

The interlinearity or interconformity is expressed as a percentage of the total applied voltage:

$$1\% = \frac{|C|}{E}$$

Or in decibels by comparison between outputs V1 and V2

$$1 \text{ dB} = 20 \log \frac{V_1}{V_2}$$

ORDERING INFORMATION (First order only)

J44

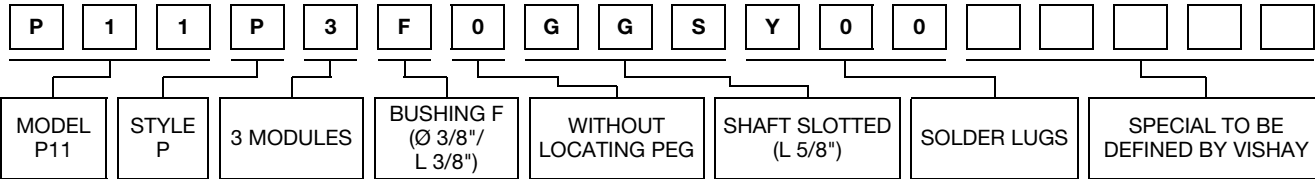
J44 Interlinearity $\pm 2\%$ (linear taper)

For other request, contact us.



EXAMPLES OF FIRST ORDER INFORMATION

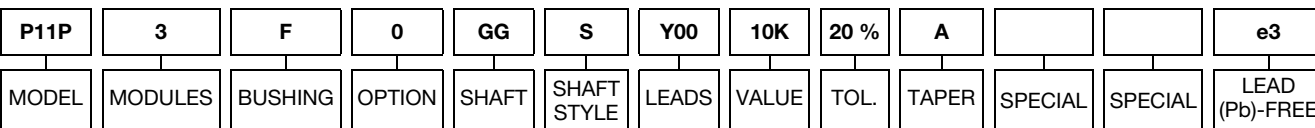
FIRST EXAMPLE: Triple module (switch is counted as a module)



ORDERING INFORMATION:

PART NUMBER	P11P3F0GGSY00.....	
SHAFT AND BUSHING	See drawing of special shaft attached	
MODULE NO. 1	RSID	
MODULE NO. 2	103 M A	J123
MODULE NO. 3	503 M A	J

PART NUMBER DESCRIPTION (used on some Vishay document or label, for information only)



ACCESSORIES	
Additional Accessories (to order separately)	www.vishay.com/doc?51051

RELATED DOCUMENTS

APPLICATION NOTES	
Potentiometers and Trimmers	www.vishay.com/doc?51001
Guidelines for Vishay Sfernice Resistive and Inductive Components	www.vishay.com/doc?52029
Capabilities and Custom Options	www.vishay.com/doc?48463



Disclaimer

ALL PRODUCT, PRODUCT SPECIFICATIONS AND DATA ARE SUBJECT TO CHANGE WITHOUT NOTICE TO IMPROVE RELIABILITY, FUNCTION OR DESIGN OR OTHERWISE.

Vishay Intertechnology, Inc., its affiliates, agents, and employees, and all persons acting on its or their behalf (collectively, "Vishay"), disclaim any and all liability for any errors, inaccuracies or incompleteness contained in any datasheet or in any other disclosure relating to any product.

Vishay makes no warranty, representation or guarantee regarding the suitability of the products for any particular purpose or the continuing production of any product. To the maximum extent permitted by applicable law, Vishay disclaims (i) any and all liability arising out of the application or use of any product, (ii) any and all liability, including without limitation special, consequential or incidental damages, and (iii) any and all implied warranties, including warranties of fitness for particular purpose, non-infringement and merchantability.

Statements regarding the suitability of products for certain types of applications are based on Vishay's knowledge of typical requirements that are often placed on Vishay products in generic applications. Such statements are not binding statements about the suitability of products for a particular application. It is the customer's responsibility to validate that a particular product with the properties described in the product specification is suitable for use in a particular application. Parameters provided in datasheets and / or specifications may vary in different applications and performance may vary over time. All operating parameters, including typical parameters, must be validated for each customer application by the customer's technical experts. Product specifications do not expand or otherwise modify Vishay's terms and conditions of purchase, including but not limited to the warranty expressed therein.

Hyperlinks included in this datasheet may direct users to third-party websites. These links are provided as a convenience and for informational purposes only. Inclusion of these hyperlinks does not constitute an endorsement or an approval by Vishay of any of the products, services or opinions of the corporation, organization or individual associated with the third-party website. Vishay disclaims any and all liability and bears no responsibility for the accuracy, legality or content of the third-party website or for that of subsequent links.

Vishay products are not designed for use in life-saving or life-sustaining applications or any application in which the failure of the Vishay product could result in personal injury or death unless specifically qualified in writing by Vishay. Customers using or selling Vishay products not expressly indicated for use in such applications do so at their own risk. Please contact authorized Vishay personnel to obtain written terms and conditions regarding products designed for such applications.

No license, express or implied, by estoppel or otherwise, to any intellectual property rights is granted by this document or by any conduct of Vishay. Product names and markings noted herein may be trademarks of their respective owners.