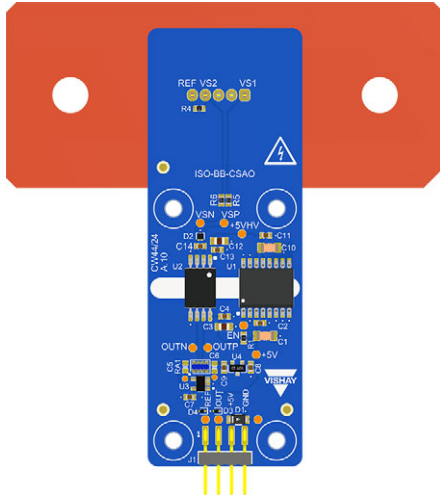


Reference Design Isolated Current Sensing Using the VIA0050DD



FEATURES

- AC current measurement up to 1415 A
- Maximum working isolation voltage of 1200 V_{RMS}
- Isolated single-ended analog output
- Low temperature offset and GAIN drift
- Bandwidth of approx. 280 kHz

KEY COMPONENTS

- [VIA0050DD](#)
- [WSBE series for high current](#)
- [ACAS 10 kΩ, 20 kΩ](#)

APPLICATIONS

- Motor control applications
- Power supplies
- Battery monitoring systems
- Charging stations
- EV powertrains

LINKS TO ADDITIONAL RESOURCES

- [ISO-BB-CSAO](#)

DESCRIPTION

This reference design focuses on the current sensing solutions used in high voltage applications, in which an isolated current sensing circuit is a must.

The measured current goes through a low TCR WSBE shunt. The voltage drop across the shunt resistance is fed to a high performance differential output isolated amplifier, which in this case is the VIA0050DD. The VIA0050DD has a linear differential range of ± 50 mV. The differential output voltage between OUT_P and OUT_N is ± 2.05 V. This differential output is converted to a single-ended output, providing an output in the range of 0 V to 2.5 V (OUT to GND), which is ready to be interfaced by a single-ended ADC or multimeter.

OVERALL SYSTEM BLOCK DIAGRAM

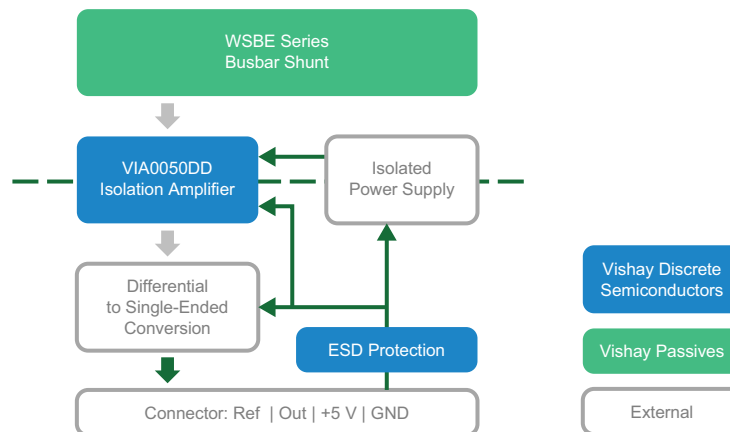


Fig. 1 - Overall System Block Diagram



APPLICATION DESCRIPTION

This application comprises a few stages that work together to provide an accurate isolated current measurement. In the following subsections, these stages are briefly explained.

Current Sensing Stage

In this design, WSBE and WSL shunt resistors are selected. The WSBE features high power capability for current sensing up to 1825 A, ultra low resistance, an all-welded construction, a nickel-chrome alloy resistive element with low TCR (down to ± 10 ppm/°C), very low inductance (< 5 nH), low thermal EMF (< 1.25 µV/°C), and is AEC-Q200 qualified.

Isolation Amplifier, Current Filter Stage, and Single-Ended Conversion

The voltage drop across the shunt resistance is filtered through a low pass RC filter before it goes to the Isolation amplifier. The cut-off frequency is chosen to be less than the EΔ modulator’s sampling (20 MHz); the cut-off frequency is chosen to be fc = 800 kHz.

To select the R and C values, C must be kept higher than 1 nF. Selecting R = 10 Ω + 10 Ω, the C value will be 10 nF.

The R values have been selected to be low enough to avoid significant voltage drop caused by input bias. Also, the resistance has been split between the positive and negative inputs of the isolation amplifier ensuring a balanced impedance to minimize the common mode noise and symmetrical signal paths.

The VBUS05M2-HT5 is a two-line ESD protection device with a bidirectional and symmetrical (BiSy) breakdown and clamping performance, and is used to protect the isolated amplifier from transient voltages.

With a fixed GAIN of “GAINVIA = 41”, the VIA0050DD can output voltages up to ± 2.05 V.

The output of the VIA0050DD is then fed to a simple “differential to a single-ended” conversion circuit with a fixed GAIN of GAINDSC = 0.5.

6.3 GAIN Calculation for Shunt-Based Current Measurements

This section details the GAIN calculation required to match the voltage output from a shunt-based current measurement to the maximum input voltage range of an isolation amplifier. Proper GAIN adjustment is essential to ensure that the current signal is accurately represented within the amplifier’s input range. If the input signal exceeds this range, the output voltage of the isolation amplifier will enter a clipping state.

The following calculation applies to the available reference designs and can be adapted to specific customer needs. By following the outlined procedures, you can achieve accurate and reliable current sensing, crucial for the effective operation of your electronic applications.

The overall GAIN can be calculated using the following equation:

GAIN = GAINSH × GAINVIA × GAINDSC

Where:

GAINSH: is the shunt resistor GAIN, which is a resistor value dependent= Rshunt

GAINVIA: is the voltage isolator GAIN = 41 (32.2 dB)

GAINDSC: is the differential to single-ended GAIN = 0.5 (-6 dB)

The GAINSH values can be seen in the following table:

Table with 5 columns: R (Ω), GAINSH (V/A), GAINSH (V/A), GAINSH (DB), I_max. (A). Rows show values for 25µ, 50µ, and 100µ resistors.



Sometimes it is more convenient to calculate the GAIN in dB, in this case:

$$GAIN(dB) = (GAIN_{SH}(dB) + GAIN_{VIA}(dB) + GAIN_{DSC}(dB))$$

In this design, a 1 mΩ resistor is used and the overall GAIN versus frequency is shown in Fig. 3. If the user wants to calculate the GAIN for a different resistor, the equation will be as below;

$$GAIN(dB) = GAIN_{SH}(dB) + 32.2 \text{ dB} - 6 \text{ dB}$$

The overall GAIN can be summarized as below:

R (Ω)	GAIN (V/A)	GAIN (V/A)	GAIN (DB)
25μ	0.0005125	$\frac{1}{1951.2}$	-65.8
50μ	0.001025	$\frac{1}{975.6}$	-59.8
100μ	0.00205	$\frac{1}{487.8}$	-53.8

The measured GAIN of this reference design with R_{shunt} (1 mΩ) is shown below. In this graph, the input current is swept from -30 A to +30 A and the “Ref” and “OUT” signals are measured. OUT is the measured voltage at the “OUT-pin” J1-2, REF is the measured voltage at “Ref-pin” J1-1, and OUT-REF is the calculated voltage, which represents the input current with a GAIN of $\frac{1}{48.78}$ 148.78 V/A.

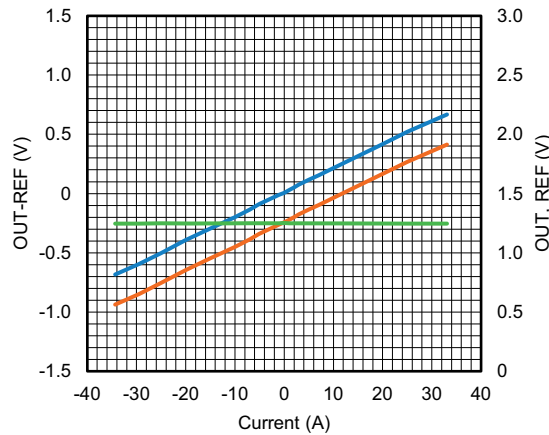


Fig. 2 - Measured GAIN

The following figure shows the measured GAIN of the isolated amplifier together with the differential to single-ended conversion (without shunt resistor GAIN) versus frequency. For total GAIN, the GAIN of the shunt resistor must be added.

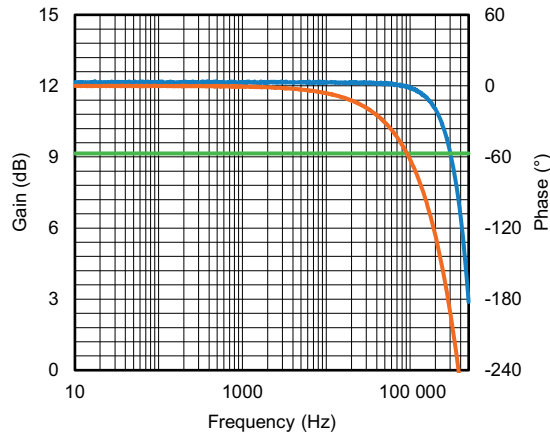


Fig. 3 - GAIN of Isolated Amplifier and Differential to Single-Ended Conversion vs. Frequency (without R_{SH})

PIN CONFIGURATION

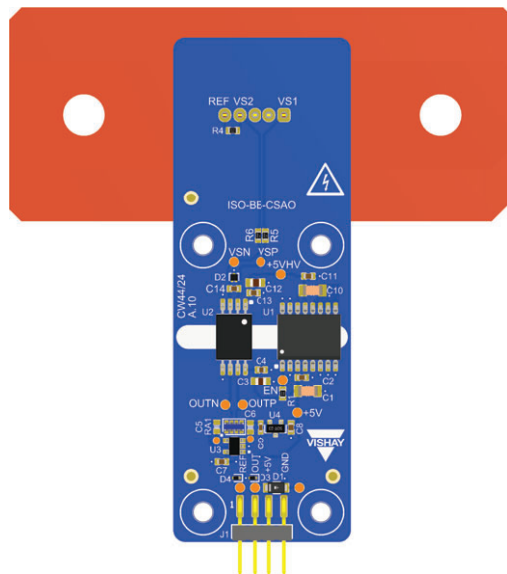


Fig. 4 - ISO-BB-CSAO

PIN DESCRIPTION		
PIN NUMBER	SYMBOL	DESCRIPTION
HV1	VS1	Positive load terminal
HV2	VS2	Negative load terminal
1	Ref	Reference output (1.25 V typ.)
2	OUT	Single ended output (0 V to 2.5 V)
3	+5V	DC supply input / V_{DD2} (+5 V)
4	GND	Ground level / GND_2

**ABSOLUTE MAXIMUM RATINGS**

ABSOLUTE MAXIMUM RATINGS ($T_{amb} = 25\text{ }^{\circ}\text{C}$, unless otherwise specified)			
PRODUCT NAME	ISOLATED AMPLIFIER	SENSING ELEMENT	CURRENT RANGE
ISO-BB-CSAO	VIA0050DD	WSBE 25 $\mu\Omega$	$\pm 1415\text{ A}$ (continues) $\pm 2560\text{ A}$ (for less than 5 s)
		WSBE 50 $\mu\Omega$	$\pm 1000\text{ A}$ (continues) $\pm 1280\text{ A}$ (for less than 5 s)
		WSBE 100 $\mu\Omega$	$\pm 600\text{ A}$ (continues) $\pm 640\text{ A}$ (for less than 5 s)

ELECTRICAL PARAMETER		
PARAMETER	LIMITS	UNITS
Ambient temperature	-40 to +125	$^{\circ}\text{C}$
Storage temperature	-55 to +125	$^{\circ}\text{C}$

ELECTRICAL CHARACTERISTICS ($T_{amb} = 25\text{ }^{\circ}\text{C}$, unless otherwise specified)				
PARAMETER	MIN.	TYP.	MAX.	UNIT
DC supply	4.0	5.0	5.5	V
CURRENT FROM SP1 TO SP2				
(WSBE 25 $\mu\Omega$) resistance linear	-2000	-	2000	A
(WSBE 25 $\mu\Omega$) resistance before clipping	-2560	-	2560	A
(WSBE 50 $\mu\Omega$) resistance linear	-1000	-	1000	A
(WSBE 50 $\mu\Omega$) resistance before clipping	-1280	-	1280	A
(WSBE 100 $\mu\Omega$) resistance linear	-500	-	500	A
(WSBE 100 $\mu\Omega$) resistance before clipping	-640	-	640	A
Reference output	-	1.25	-	V
Single ended output	0	-	2.5	V
Output bandwidth	-	280	-	kHz
Current consumption	-	65	300	mA
Power consumption	-	300	1500	mW

SAFETY AND INSULATION RATINGS				
PARAMETER	TEST CONDITIONS	SYMBOL	VALUE	UNIT
Maximum rated withstanding isolation voltage		V_{ISO}	5000	V_{RMS}
Maximum transient isolation voltage		V_{IOTM}	7071	V_{peak}
Maximum repetitive isolation voltage		V_{IORM}	1697	V_{peak}
Maximum working isolation voltage	AC voltage	V_{IOWM}	1200	V_{RMS}
	DC voltage		1697	V_{DC}

Note

- Isolation from component datasheet, not measured in system



Disclaimer

1. Vishay Intertechnology, Inc. and its affiliates (“**Vishay**”) provides the reference design to which this disclaimer is attached (the “**reference design**”), and may provide certain products, parts and components to implement the reference design (each, an “**evaluation kit**”), solely to assist customers and potential customers (each, a “**user**”) who, in a research and development setting, are developing products and applications that incorporate Vishay products. This disclaimer supplements the terms of and conditions under which the user gains access to the reference design and / or evaluation kit (the “**terms and conditions**”). If and to the extent this disclaimer conflicts with the terms and conditions, this disclaimer will control.
2. Vishay and their respective directors, officers, agents, and employees (collectively, the “**Vishay parties**”), disclaim any and all warranties concerning the reference design or evaluation kits, and all liability for any errors, inaccuracies, incompleteness or other defects in the reference design or evaluation kits. Without limiting the foregoing:
 - 2.1. Users are responsible for (a) using their independent analysis, evaluation and judgment to validate the operating parameters, including typical parameters, for each component specified by the reference design or included in an evaluation kit, (b) assuring the safety of the products they develop and the compliance of those products with all applicable regulations, laws and other applicable requirements, and (c) obtaining any licenses to third party intellectual property rights that may be necessary for their products.
 - 2.2. Vishay makes no warranty, representation, or guarantee regarding the suitability of the reference design or evaluation kits for any particular purpose. To the maximum extent permitted by applicable law, Vishay disclaims (i) any and all liability arising out of the application or use of any design or product, (ii) any and all liability, including without limitation special, consequential, or incidental damages, and (iii) any and all implied warranties, including warranties of fitness for particular purpose, non-infringement, and merchantability. The aggregate liability of all Vishay parties will not exceed the amount the Vishay parties received in exchange for the reference design or evaluation kit giving rise to the claim.
 - 2.3. Users acknowledge that (i) the reference design was created under laboratory conditions, and no Vishay party has conducted any testing other than as may be specifically described in the reference design, (ii) any information in the reference design related to third party components described by a reference design or included in an evaluation kit (“**third party products**”) does not constitute a license to use any third party product, or a warranty or endorsement of any third party product, and use of any such information, products or services may require a license from a third party under patents or other intellectual property rights and (iii) Vishay may make corrections, enhancements, improvements and other changes to their respective products and services, reference design, or evaluation kit, and to discontinue any product or service. Vishay has no obligations and makes no claims, representations, warranties, or guarantees regarding third party products included in a reference design or evaluation kit.
 - 2.4. Statements regarding the suitability of the reference design, evaluation kit, or other Vishay product for certain types of applications are based on Vishay’s knowledge of typical requirements often placed on Vishay products in generic applications. Such statements are not binding statements about the suitability of the reference design, evaluation kit, or other Vishay product for a particular application. It is the customer’s responsibility to validate that a particular reference design, evaluation kit, or other Vishay product with the properties described in the reference design or included in the evaluation kit is suitable for a particular application.
 - 2.5. The reference design is not fault-tolerant and is not intended for high risk applications, including without limitation in the operation of nuclear facilities, aircraft navigation or control systems, air traffic control, life support machines, weapons systems, or any other application in which the failure of the reference design could lead to death, personal injury, or severe physical or environmental damages. Any use of the reference design in connection with high risk applications or any other applications is fully at the user’s own risk. Neither the evaluation kits nor their components are intended for commercial products or in consumer or household environments.
3. No license, express or implied, by estoppel or otherwise, to any intellectual property rights is granted by this document or by any conduct of Vishay. Product names and markings noted herein may be trademarks of their respective owners.
4. This disclaimer will be governed by the laws of the Commonwealth of Pennsylvania without reference to conflict of laws principles. User and the Vishay parties agree that the sole and exclusive jurisdiction for any dispute regarding the reference design or evaluation kits will be the state and federal courts sitting in Philadelphia, Pennsylvania.



Disclaimer

ALL PRODUCT, PRODUCT SPECIFICATIONS AND DATA ARE SUBJECT TO CHANGE WITHOUT NOTICE TO IMPROVE RELIABILITY, FUNCTION OR DESIGN OR OTHERWISE.

Vishay Intertechnology, Inc., its affiliates, agents, and employees, and all persons acting on its or their behalf (collectively, "Vishay"), disclaim any and all liability for any errors, inaccuracies or incompleteness contained in any datasheet or in any other disclosure relating to any product.

Vishay makes no warranty, representation or guarantee regarding the suitability of the products for any particular purpose or the continuing production of any product. To the maximum extent permitted by applicable law, Vishay disclaims (i) any and all liability arising out of the application or use of any product, (ii) any and all liability, including without limitation special, consequential or incidental damages, and (iii) any and all implied warranties, including warranties of fitness for particular purpose, non-infringement and merchantability.

Statements regarding the suitability of products for certain types of applications are based on Vishay's knowledge of typical requirements that are often placed on Vishay products in generic applications. Such statements are not binding statements about the suitability of products for a particular application. It is the customer's responsibility to validate that a particular product with the properties described in the product specification is suitable for use in a particular application. Parameters provided in datasheets and / or specifications may vary in different applications and performance may vary over time. All operating parameters, including typical parameters, must be validated for each customer application by the customer's technical experts. Product specifications do not expand or otherwise modify Vishay's terms and conditions of purchase, including but not limited to the warranty expressed therein.

Hyperlinks included in this datasheet may direct users to third-party websites. These links are provided as a convenience and for informational purposes only. Inclusion of these hyperlinks does not constitute an endorsement or an approval by Vishay of any of the products, services or opinions of the corporation, organization or individual associated with the third-party website. Vishay disclaims any and all liability and bears no responsibility for the accuracy, legality or content of the third-party website or for that of subsequent links.

Vishay products are not designed for use in life-saving or life-sustaining applications or any application in which the failure of the Vishay product could result in personal injury or death unless specifically qualified in writing by Vishay. Customers using or selling Vishay products not expressly indicated for use in such applications do so at their own risk. Please contact authorized Vishay personnel to obtain written terms and conditions regarding products designed for such applications.

No license, express or implied, by estoppel or otherwise, to any intellectual property rights is granted by this document or by any conduct of Vishay. Product names and markings noted herein may be trademarks of their respective owners.