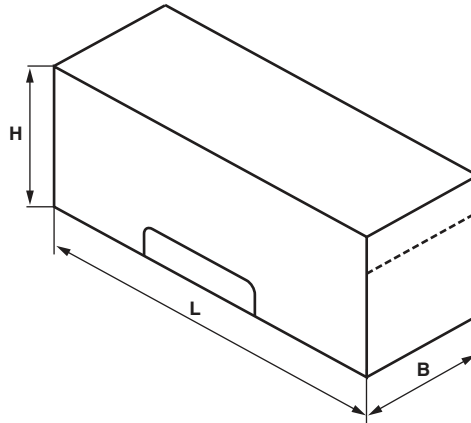
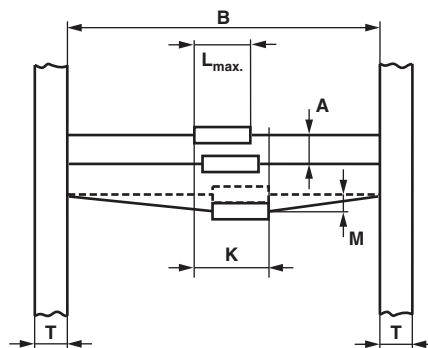


BOX PACKAGING, AMMO TAPED



MODEL	TAPE	PACKAGING CODE	BOX DIMENSIONS in millimeters			PACKAGING UNIT PIECES
			L	B	H	
0207 (LCA0207)	G53	A2	330	75	55	2000
0207 (LCA0207)	G53	A5	324	77	82	5000
0207 (LCA0207)	G53	A1	184	74	42	1000/100
0207 (WK2)	G53	A2	260	76	60	2000
0207 (WK2)	G53	A5	260	76	120	5000
0414 (LCA0414)	G63	A1	374	84	47	1000/100
0414 (WR4)	G73	A1	260	95	60	1000
5 (0617) (WR5)	G77	A1	405	115	150	1000
8 (0922) (WK8)	G77	AC	412	118	120	500

TAPE DIMENSIONS



Note

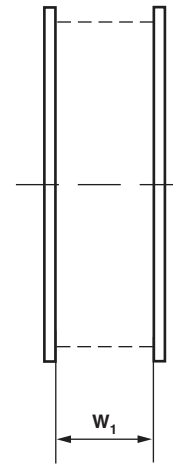
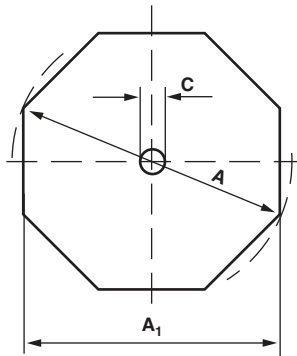
- L_{max} see datasheets

TAPE	DIMENSIONS in millimeters				
	B	A	K	M	T
G53	53 ± 1	5 ± 0.5	$L_{max} + 1.4$	1.2	$6 + 0.5$
G63	63 ± 1	5 ± 0.5	$L_{max} + 1.4$	1.2	$6 + 0.5$
G73	73 ± 1	5 ± 0.5	$L_{max} + 1.4$	1.2	$6 + 0.5$
G77	77 ± 1	10 ± 0.5	$L_{max} + 1.4$	1.2	9 ± 0.5

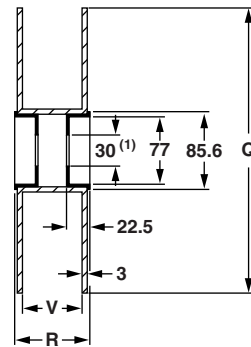
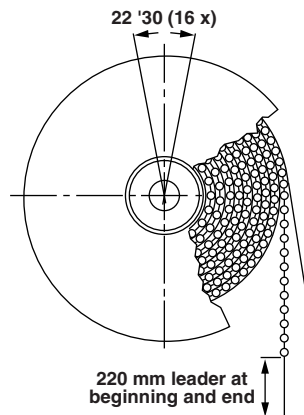
Note

- Taping according to IEC 60286-1

REEL PACKAGING



MODEL	TAPE	PACKAGING CODE	BOX DIMENSIONS in millimeters				PACKAGING UNIT PIECES
			A ₁	A	C	W ₁	
0207 (LCA0207)	G53	R5	310	315	26	76	5000
0414 (LCA0414)	G63	RZ	310	315	26	80	2000
0207 (LCA0207)	G53	R1	235	242	26	76	1000
0414 (LCA0414)	G73	R2	250	270	20	95	2000
4 (0414) (LCA0207)	G73	RE	290	315	20	95	2500
5 (0617) (WR5)	G77	RP	350	380	20	105	1500
8 (0922) (WK8)	G77	R1	350	380	20	105	1000
DB 1U, 2U	G53	R0	250	270	20	75	10 000
DB 4U	G53	R5	250	270	20	75	5000



Note

(1) Dimensions of inner packaging (for bandolier on reel)

MODEL	TAPE	PACKAGING CODE	BOX DIMENSIONS in millimeters			PACKAGING UNIT PIECES
			Q	V	R	
WK2	G53	R5	305	75	86	5000
WR4	G73	R2	305	90	100	2000