

GLOBAL MODEL	STANDARD PACKAGING CODE		MINIMUM QTY	MULTIPLE QTY	PITCH (2)	TAPE SPACING (2)	NON-STANDARD MAXIMUM UNITS/REEL (2)	
	LEAD (Pb)-FREE	TIN/LEAD					SMALL FLANGE "B" 190.50 (7.500)	LARGE FLANGE "A" 280.99 (11.062)
CW1/2, G001...80, G002, RS1/4, RS1/2	E70	S70	1000	1000	5.08 (0.200)	52.39 (2.062)	2000	5000
RWR81, RWR82	N/A	S70	1000	1000	5.08 (0.200)	52.39 (2.062)	2000	5000
CW001, CW01M, G003...80, RS01A, RS01M	E70	S70	1000	1000	5.08 (0.200)	52.39 (2.062)	1500	4500
RWR80	N/A	S70	1000	1000	5.08 (0.200)	52.39 (2.062)	1500	4500
LVR01, NS01A	E70	S70	1000	1000	5.08 (0.200)	52.39 (2.062)	1000	4000
CA0001, CA0002 (3)	E05	R05	250	1	5.08 (0.200)	73.02 (2.875)	1350	2500
CW02B, CW02M, G005, RS02B, RS02M	E70	S70	1000	1000	10.16 (0.400)	63.5 (2.500)	400	1200
RWR89	N/A	S70	1000	1000	10.16 (0.400)	63.5 (2.500)	400	1200
CW02C, CW002, G05C, LVR03, RS002, RS02C	E70	S70	1000	1000	10.16 (0.400)	63.5 (2.500)	400	1000
RWR71	N/A	S70	1000	1000	10.16 (0.400)	73.02 (2.875)	400	1200
CW005, CW007, G010, RS005, RS007	E73	S73	500	500	10.16 (0.400)	73.02 (2.875)	N/A	700
RWR74	N/A	S73	500	500	10.16 (0.400)	73.02 (2.875)	N/A	1000
LVR05	E73	S73	500	500	10.16 (0.400)	73.02 (2.875)	N/A	600
CW010, RS010	E73	S73	500	500	10.16 (0.400)	85.72 (3.375)	N/A	600
RWR78, RWR84	N/A	S73	500	500	10.16 (0.400)	85.72 (3.375)	N/A	600

Notes

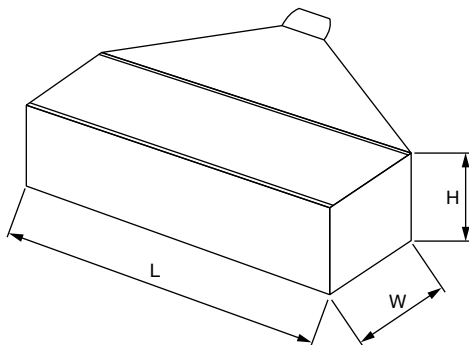
- (1) Leads will be trimmed to a maximum of 1.59 mm (0.063") beyond tape edge.
- (2) For non-standard tape and reel requirements, contact the technical question e-mail address at the bottom of the page.
- (3) CA0001 and CA0002 will be taped at 5.08 mm (0.200") pitch, 73.02 mm (2.875") tape space, without lead trim. CA4000 and CA5000 series will be taped at 5.08 mm (0.200") pitch, tape space varies by body length.

Wirewound Through Hole Resistor Packaging



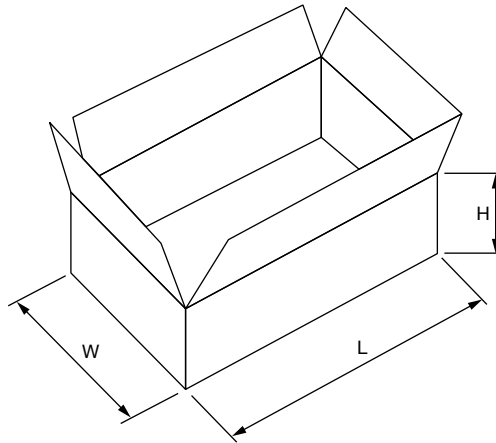
Vishay Dale

WIREWOUND BULK PACKAGING Dimensions in mm (inches)



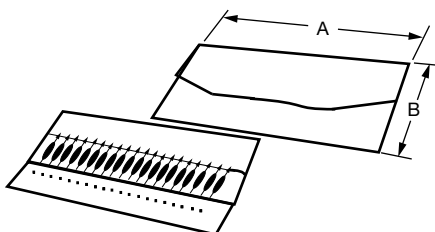
GLOBAL MODEL	PACKAGING CODE		L	W	H	MINIMUM QTY	MULTIPLE QTY
	LEAD (Pb)-FREE	TIN/LEAD					
CW1/2, G001...80, G002, RS1/4, RS1/2, RS01M, CW001, CW01M, G003...80, LVR01, RS01A	E12	B12	92.1 (3.625)	38.1 (1.500)	38.1 (1.500)	100	100
RWR80, RWR81, RWR82	N/A	B12	92.1 (3.625)	38.1 (1.500)	38.1 (1.500)	100	100
CW002, RS002	E12	B12	104.8 (4.125)	76.2 (3.000)	57.1 (2.250)	100	100
RWR71	N/A	B12	104.8 (4.125)	76.2 (3.000)	57.1 (2.250)	100	100
CW02M, CW02B, G005, RS02B, RS02M	E12	B12	98.4 (3.875)	50.8 (2.000)	50.8 (2.000)	100	100
RWR89	N/A	B12	98.4 (3.875)	50.8 (2.000)	50.8 (2.000)	100	100
CW02C, G05C, LVR03 RS02C	E12	B12	101.6 (4.000)	66.7 (2.625)	63.5 (2.500)	100	100
CW005, G010, LVR05 RS005	E12	B12	107.9 (4.125)	76.2 (3.000)	88.9 (3.500)	100	100
RWR74, RWR84	N/A	B12	107.9 (4.125)	76.2 (3.000)	88.9 (3.500)	100	100
CW007, RS007	E12	B12	117.5 (4.625)	98.4 (3.875)	63.5 (2.500)	100	100
CW010, RS010	E12	B12	133.3 (5.250)	101.6 (4.000)	101.6 (4.000)	100	100
RWR78	N/A	B12	133.3 (5.250)	101.6 (4.000)	101.6 (4.000)	100	100

WIREWOUND BULK PACKAGING Dimensions in mm (inches)



GLOBAL MODEL	PACKAGING CODE		L	W	H	MAX. QTY PER BOX	MINIMUM QTY	MULTIPLE QTY
	LEAD (Pb)-FREE	TIN/LEAD						
CA0001, CA0002	E14	B14	190.5 (7.500)	104.8 (4.125)	190.5 (7.500)	2000	10	1
CP0002, CP0002...3, CPW02, CPW02...3	E14	B14	298.4 (11.750)	174.6 (6.875)	228.6 (9.000)	1850	10	1
CP0003, CP0003...3, CPL03, CPL03...3, CPW03, CPW03...3, CP0005, CP0005...3, CPL05, CPL05...3, CPW05, CPW05...3	E14	B14	298.4 (11.750)	174.6 (6.875)	228.6 (9.000)	1250	10	1
CP0007, CP0007...3, CPL07, CPL07...3, CPW07, CPW07...3	E14	B14	304.8 (12.000)	184.1 (7.250)	152.4 (6.000)	250	10	1
CP0010, CP0010...3, CPL10, CPL10...3, CPW10, CPW10...3	E14	B14	304.8 (12.000)	184.1 (7.250)	152.4 (6.000)	250	5	1
CP0015, CP0015...3, CPL15, CPL15...3, CPW15, CPW15...3, CP0020, CP0020...3, CPW20, CPW20...3	E14	B14	304.8 (12.000)	184.1 (7.250)	152.4 (6.000)	160	5	1
CP0022, CP0022...3	E14	B14	304.8 (12.000)	184.1 (7.250)	152.4 (6.000)	160	5	1
CP0025	E14	B14	304.8 (12.000)	184.1 (7.250)	152.4 (6.000)	90	5	1
CPCx02	E32	B32	304.8 (12.000)	184.1 (7.250)	76.2 (3.000)	1000	10	1
CPCx03, CPCx05	E32	B32	304.8 (12.000)	184.1 (7.250)	76.2 (3.000)	500	10	1
CPCx10	E32	B32	304.8 (12.000)	184.1 (7.250)	76.2 (3.000)	350	10	1
CPR03, CPR05	E14	B14	298.4 (11.750)	174.6 (6.875)	228.6 (9.000)	1000	10	1
SR1, SR3, SR5	E14	B14	304.8 (12.000)	184.1 (7.250)	76.2 (3.000)	1000	1000	1000

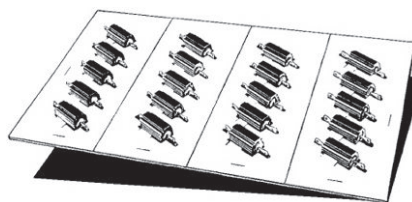
WIREWOUND LACER PACKAGING Dimensions in mm (inches)



- Resistor body is placed in slot and held in place with tongue insert.
- Terminals protected within folder.

GLOBAL MODEL	PACKAGING CODE		A	B	MINIMUM QTY	MULTIPLE QTY
	LEAD (Pb)-FREE	TIN/LEAD				
CW1/2, CW001, CW01M, G001...80, G002, G003...80, LVR01, RS1/4, RS1/2, RS01A, RS01M	E03	L03	215.90 (8.500)	95.25 (3.750)	20	20
RWR80, RWR81, RWR82	N/A	L03	215.90 (8.500)	95.25 (3.750)	20	20
CW02B, CW02C, CW02M, G005, G05C, LVR03, RS02B, RS02C, RS02M	E03	L03	215.90 (8.500)	101.6 (4.000)	20	20
RWR71, RWR89	N/A	L03	215.90 (8.500)	101.6 (4.000)	20	20
CW002, RS002	E03	L03	279.40 (11.000)	127.00 (5.000)	20	20
CW005, CW007, G010, LVR05, RS005	E03	L03	307.97 (12.125)	131.76 (5.188)	20	20
RWR74, RWR84	N/A	L03	307.97 (12.125)	131.76 (5.188)	20	20
CW010, LVR10, RS007, RS010	E03	L03	376.24 (14.812)	153.99 (6.062)	20	20
RWR78	N/A	L03	376.24 (14.812)	153.99 (6.062)	20	20

WIREWOUND CARD PACKAGING



- Resistor placed in slot and held in place with foldover protective paper.
- Each pack perforated to tear off into four smaller sub packs.

GLOBAL MODEL	PACKAGING CODE		QTY/PACK	TEAR OFF QTY	MINIMUM QTY	MULTIPLE QTY
	LEAD (Pb)-FREE	TIN/LEAD				
NH005, NH010, RH005, RH010	E02	C02	40	10	10	10
RER40, RER45, RER60, RER65	N/A	C02	40	10	10	10
NH025, NH050, RH025, RH050	E02	C02	20	5	5	5
RER50, RER55, RER70, RER75	N/A	C02	20	5	5	5



Wirewound Through Hole Resistor Packaging

Vishay Dale

WIREWOUND SKIN PACKAGING Dimensions in mm (inches)							
<ul style="list-style-type: none"> • A versatile packaging method. • Units are placed on double-faced corrugated board, then skin packed to board with polyfilm. • Most resistor types are in multiples of five with insert strips. 							
GLOBAL MODEL	PACKAGING CODE		NO. OF UNITS	BOARD LENGTH	BOARD WIDTH	MINIMUM QTY	MULTIPLE QTY
	LEAD (Pb)-FREE	TIN/LEAD					
CP0002, CP0002...3, CP0003, CP0003...3	E01	J01	60	184.1 (7.250)	304.8 (12.000)	5	5
CP0005, CP0005...3, CP0007, CP0007...3	E01	J01	45	184.1 (7.250)	304.8 (12.000)	5	5
CP0010, CP0010...3	E01	J01	30	184.1 (7.250)	304.8 (12.000)	5	5
CP0015, CP0015...3	E01	J01	25	184.1 (7.250)	304.8 (12.000)	5	5
CP0020, CP0020...3, CP0022, CP0022...3	E01	J01	20	184.1 (7.250)	304.8 (12.000)	5	5
CPCx02, CPCx03, CPCx05	E01	J01	200	304.8 (12.000)	355.6 (14.000)	1	1
CPCx10	E01	J01	100	304.8 (12.000)	355.6 (14.000)	1	1
CPL03, CPL03...3, CPL05, CPL05...3, CPL07, CPL07...3	E01	J01	45	184.1 (7.250)	304.8 (12.000)	5	5
CPL10, CPL10...3	E01	J01	30	184.1 (7.250)	304.8 (12.000)	5	5
CPL15, CPL15...3	E01	J01	25	184.1 (7.250)	304.8 (12.000)	5	5
HL011, HL012, HL015, HL020, HLA012, HLA020, HLT015, HLT020, HLW06Rx	E	J	40	184.1 (7.250)	304.8 (12.000)	1	1
HL024	E	J	45	304.8 (12.000)	368.3 (14.500)	1	1
HL025, HLT025, HLW15Ax, HLZ033, HLA025	E	J	30	184.1 (7.250)	304.8 (12.000)	1	1
HL026, HLA026, HLT026, HLW10Ax, HLW12Rx, HLW20Ax	E	J	20	184.1 (7.250)	304.8 (12.000)	1	1
HL035, HL050, HL060, HLA050, HLA060, HLT050, HLT055, HLT060, HLZ090, HLZ105	E	J	15	184.1 (7.250)	304.8 (12.000)	1	1
HL051, HLA051, HLT051, HLW20Rx, HLZ099	E	J	10	184.1 (7.250)	304.8 (12.000)	1	1
HLM010, HLM015	E	J	90	184.1 (7.250)	304.8 (12.000)	1	1
HLM020, HLW05Rx	E	J	60	184.1 (7.250)	304.8 (12.000)	1	1
HLW03Ax, HLW05Ax, HLW06Ax, HLW12Ax	E	J	25	184.1 (7.250)	304.8 (12.000)	1	1
HLW03Rx	E	J	80	184.1 (7.250)	304.8 (12.000)	1	1
HL055	E	J	20	304.8 (12.000)	368.3 (14.500)	1	1

Wirewound Through Hole Resistor Packaging



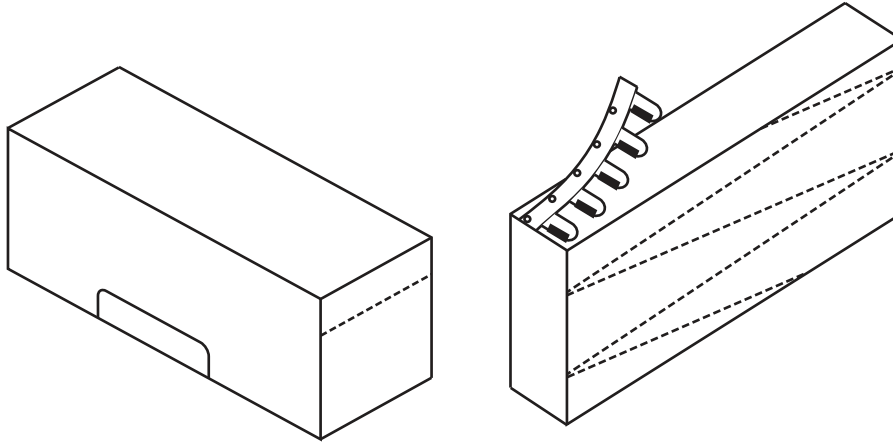
Vishay Dale

WIREWOUND SKIN PACKAGING Dimensions in mm (inches) - continued

- A versatile packaging method.
- Units are placed on double-faced corrugated board, then skin packed to board with polyfilm.
- Most resistor types are in multiples of five with insert strips.

GLOBAL MODEL	PACKAGING CODE		NO. OF UNITS	BOARD LENGTH	BOARD WIDTH	MINIMUM QTY	MULTIPLE QTY
	LEAD (Pb)-FREE	TIN/LEAD					
HL065, HL070, HL080, HL095, HLA065, HLA080, HLA100, HLT065, HLT070, HLT080, HLT095, HLT100, HLZ110, HLZ140, HLZ165	E	J	5	184.1 (7.250)	304.8 (12.000)	1	1
HL100	E	J	13	304.8 (12.000)	368.3 (14.500)	1	1
HL120, HL130, HL160, HL175, HLA120, HLA130, HLA160, HLA175, HLT120, HLT130, HLT160, HLT175, HLZ220, HLZ240, HLZ275, HLZ300	E	J	3	184.1 (7.250)	304.8 (12.000)	1	1
HL225, HLA225, HLT225, HLZ375	E	J	8	304.8 (12.000)	368.3 (14.500)	1	1
RH005, RH010	E01	J01	60	184.1 (7.250)	304.8 (12.000)	1	1
RH025	E01	J01	30	184.1 (7.250)	304.8 (12.000)	1	1
RH050	E01	J01	20	184.1 (7.250)	304.8 (12.000)	1	1
RH100	E01	J01	5	304.8 (12.000)	368.3 (14.500)	1	1
RH250	E01	J01	4	304.8 (12.000)	368.3 (14.500)	1	1
RER40, RER45, RER60, RER65	N/A	J01	60	184.1 (7.250)	304.8 (12.000)	1	1
RER50, RER70	N/A	J01	30	184.1 (7.250)	304.8 (12.000)	1	1
RER55, RER75	N/A	J01	20	184.1 (7.250)	304.8 (12.000)	1	1
SPR2213	K	D	15	184.1 (7.250)	304.8 (12.000)	1	1
SPR2214	K	D	10	184.1 (7.250)	304.8 (12.000)	1	1

WIREWOUND AMMOPACK Dimensions in mm (inches)



- Resistors are lead taped, the same as in reel pack, then they are placed in a continuous "S" pattern (without paper inner leaf) in an appropriate box.

GLOBAL MODEL	PACKAGING CODE		PITCH	TAPE SPACING	MINIMUM QTY	MULTIPLE QTY
	LEAD (Pb)-FREE	TIN/LEAD				
CW1/2, CW001, CW01M, RWR81, RWR82, RWR80, G001...80, G002, G003...80, LVR01, RS1/4, RS1/2, RS01A, RS01M	N/A	K36	5.08 (0.200)	52.39 (2.062)	200	1
CW002, CW02B, CW02C, CW02M, RWR89, G005, G05C, LVR03, RS002, RS02B, RS02C, RS02M	N/A	K50	10.16 (0.400)	63.5 (2.500)	200	1
CW005, CW007, RWR71, RWR84, RWR74, G010, LVR05, RS005, RS007	N/A	K14	10.16 (0.400)	73.02 (2.875)	200	1
CW010, RWR78, RS010	N/A	K69	10.16 (0.400)	85.72 (3.375)	200	1