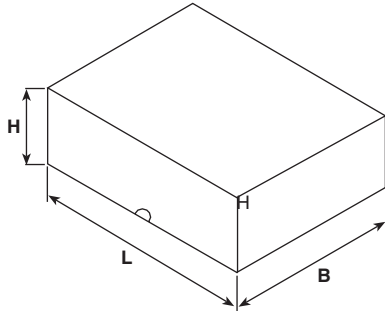


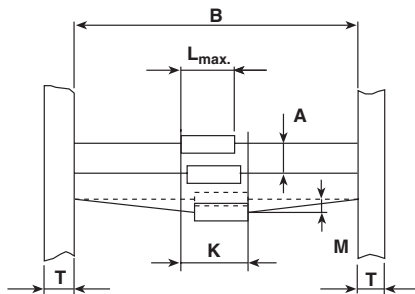
BULK PACK



MODEL	DIMENSIONS in millimeters [inches]			UNITS PER PACK
	L	B	H	
G 206	225 [8.858]	140 [5.512]	70 [2.756]	100
G 207	225 [8.858]	140 [5.512]	70 [2.756]	100
Z 307	225 [8.858]	140 [5.512]	70 [2.756]	200
KKA 4	262 [10.315]	100 [3.937]	35 [1.378]	200
KKA 5	260 [10.236]	115 [4.528]	35 [1.378]	200
KKA 7	235 [9.252]	130 [5.118]	44 [1.732]	200

MODEL	DIMENSIONS in millimeters [inches]			UNITS PER PACK
	L	B	H	
KKA 9	235 [9.252]	130 [5.118]	44 [1.732]	100
KKA 11				
KKE 4	181 [7.126]	126 [4.961]	33 [1.299]	200
KKE 7	235 [9.252]	130 [5.118]	44 [1.732]	200
KKE 9				
KKE 11	238 [9.370]	166 [6.535]	43 [1.693]	200
KKE 17	255 [10.039]	105 [4.134]	40 [1.575]	100
KKE 7 Si	235 [9.252]	129 [5.079]	60 [2.362]	200
KKE 9 Si				

TAPE DIMENSIONS

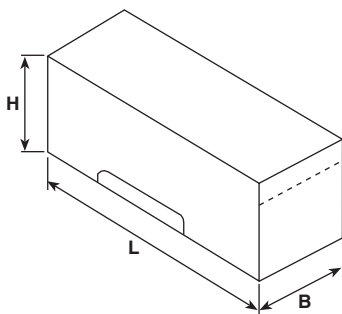


L_{max} see data sheets

Taping corresponds to IEC 60286

TAPE	DIMENSIONS in millimeters [inches]				
	B	A	K	M	T
G 53	53 ± 1 [2.087 ± 0.039]	5 ± 0.5 [0.197 ± 0.020]	L _{max} + 1.4 L _{max} + [0.055]	1.2 [0.047]	6 ± 0.5 [0.236 ± 0.020]
G 63	63 ± 1 [2.480 ± 0.039]	5 ± 0.5 [0.197 ± 0.020]	L _{max} + 1.4 L _{max} + [0.055]	1.2 [0.047]	6 ± 0.5 [0.236 ± 0.020]
G 73	73 ± 1 [2.874 ± 0.039]	5 ± 0.5 [0.197 ± 0.020]	L _{max} + 1.4 L _{max} + [0.055]	1.2 [0.047]	6 ± 0.5 [0.236 ± 0.020]
G 80	80 ± 1 [3.150 ± 0.039]	10 ± 0.5 [0.394 ± 0.020]	L _{max} + 1.4 L _{max} + [0.055]	1.2 [0.047]	6 ± 0.5 [0.236 ± 0.020]
G 83	83 ± 1 [3.268 ± 0.039]	10 ± 0.5 [0.394 ± 0.020]	L _{max} + 1.4 L _{max} + [0.055]	1.2 [0.047]	6 ± 0.5 [0.236 ± 0.020]
G 88	88 ± 1 [3.465 ± 0.039]	10 ± 0.5 [0.394 ± 0.020]	L _{max} + 1.4 L _{max} + [0.055]	1.2 [0.047]	6 ± 0.5 [0.236 ± 0.020]

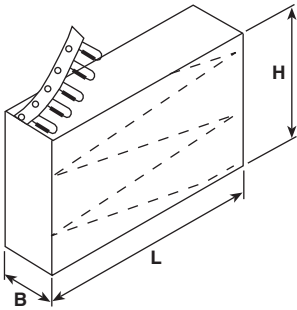
AMMOPACK



MODEL	TAPE	DIMENSIONS in millimeters [inches]			UNITS PER PACK
		L	B	H	
G 202	G 53	324 [12.756]	82 [3.228]	49 [1.929]	500
	G 73	324 [12.756]	101 [3.976]	49 [1.929]	500
G 204	G 88	324 [12.756]	111 [4.370]	75 [2.953]	250
Z 301	G 53	324 [12.756]	82 [3.228]	49 [1.929]	1000
ZDA 0411	G 73	324 [12.756]	101 [3.976]	64 [2.520]	1000
Z 302	G 53	324 [12.756]	82 [3.228]	49 [1.929]	500
	G 83	324 [12.756]	111 [4.370]	75 [2.953]	500

MODEL	TAPE	DIMENSIONS in millimeters [inches]			UNITS PER PACK
		L	B	H	
Z 303	G 83	324 [12.756]	111 [4.370]	90 [3.543]	500
Z 305	G 83	324 [12.756]	111 [4.370]	75 [2.953]	250
Z 306	G 80	324 [12.756]	111 [4.370]	75 [2.953]	250
CW-2B-13	G 80	324 [12.756]	111 [4.370]	75 [2.953]	500

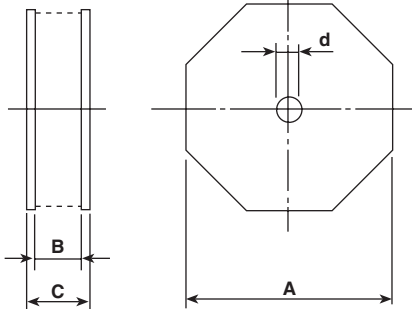
AMMOPACK (continued)



MODEL	DIMENSIONS in millimeters [inches]			UNITS PER PACK
	L	B	H	
ZDV 0411	324 [12.756]	53 [2.087]	147 [5.787]	2000

Ordering term of model ZDA0411 changes to ZDV 0411 when radial taped

REEL PACK



MODEL	TAPE	REEL DIMENSIONS in millimeters [inches]				PACKAGING UNIT (pieces)
		d	A	B	C	
G 202	R 53 ⁽¹⁾	20 [0.787]	250 [9.843]	75 [2.953]	87 [3.425]	1000
	R 73 ⁽¹⁾	20 [0.787]	250 [9.843]	95 [3.740]	107 [4.213]	1000
G 204	R 88	20 [0.787]	250 [9.843]	105 [4.134]	117 [4.213]	500
Z 301	R 53	20 [0.787]	250 [9.843]	75 [2.953]	87 [3.425]	2000
ZDA 0411	R 73	20 [0.787]	250 [9.843]	95 [3.740]	107 [4.213]	2000
Z 302	R 53 ⁽¹⁾	20 [0.787]	250 [9.843]	75 [2.953]	87 [3.425]	2000
	R 83	20 [0.787]	250 [9.843]	105 [4.134]	117 [4.213]	1000
Z 303	R 53 ⁽¹⁾	20 [0.787]	250 [9.843]	75 [2.953]	87 [3.425]	1000
	R 83	20 [0.787]	250 [9.843]	75 [2.953]	87 [3.425]	1000
Z 305	R 83	20 [0.787]	250 [9.843]	105 [4.134]	117 [4.213]	500
Z 306	R 83	20 [0.787]	250 [9.843]	105 [4.134]	117 [4.213]	500
KKA 4	R 80	26.5 [1.043]	330 [12.992]	95 [3.740]	101 [3.976]	1000
KKA 5	R 80	26.5 [1.043]	330 [12.992]	95 [3.740]	101 [3.976]	1000
CW-2B-13	R 53	14 [0.551]	280 [11.024]	73 [2.874]	87 [3.425]	1250
		14 [0.551]	280 [11.024]	73 [2.874]	87 [3.425]	1000
		14 [0.551]	190 [7.480]	73 [2.874]	81 [3.189]	500
	R 63	14 [0.551]	280 [11.024]	85 [3.346]	93 [3.661]	1250
		14 [0.551]	280 [11.024]	85 [3.346]	93 [3.661]	1000
		14 [0.551]	190 [7.480]	85 [3.346]	93 [3.661]	500
	R 80	14 [0.551]	280 [11.024]	101 [3.976]	115 [4.528]	1250
		14 [0.551]	280 [11.024]	101 [3.976]	115 [4.528]	1000
		14 [0.551]	190 [7.480]	101 [3.976]	108 [4.252]	500

Note:

⁽¹⁾ Dimension A in tape dimensions is 10 ± 0.5 mm [0.394 ± 0.020]



VISHAY DRALORIC PACKAGING CODE

Note: This packaging code is valid only for VISHAY DRALORIC resistors

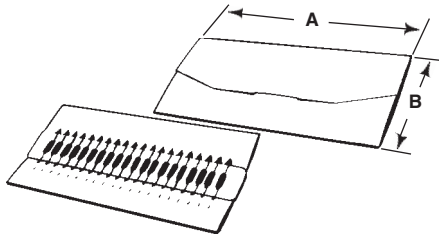
1st digit (Packaging Style)	A	Ammo Pack
	R	Reel
	L	Loose pack
	B	Embossed tape (Blister)
	P	Paper tape
	M	Bulk case (Murata)
	X	Sample

EXAMPLE:

A2 Ammopack 2000 pieces
 P0 Papertape 10 000 pieces

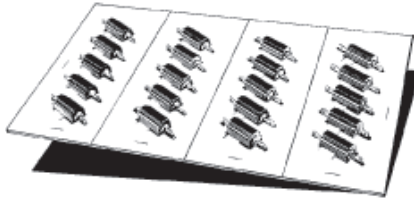
2nd digit (Quantity)	A	100
	B	250
	C	500
	D	50
	E	2500
	F	25
	G	40
	H	60
	I	
	J	200
	K	300
	L	400
	M	1250
	N	20 000
	O	
	P	1500
	Q	
	R	5000 (R26)
	S	7500
	T	30 000
	U	25 000
	V	
	W	
	X	Without quantity
	Y	
	Z	50 000
1	1000	
2	2000	
3	3000	
4	4000	
5	5000	
6		
7		
8		
9		
0	10 000	

LACER PACK



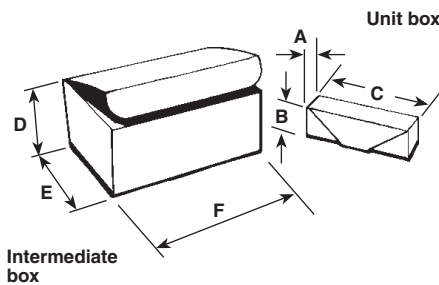
WIREWOUND LACER PACKAGING Dimensions in mm [inches]			
MODEL	A	B	Resistor body is placed in slot, held in place with tongue insert. Terminals protected within folder. 20 units per folder.
RS-1/4, RS-1/2, G-1, G-2, CW-1/2, EGS-1, EGS-2, RS-1A, RS-1B, G-3, CW-1, CW-1M, EGS-3, NS-1A, LVR-1	215.90 [8.500]	95.25 [3.750]	
RS-2B, RS-2M, CW-2B, CW-2M, G-5, ESS-2B, LVR-3, RS-2, RS-2C, CW-2C, G-5C	215.90 [8.500]	101.6 [4.000]	
RS-5, RS-7, CW-5, ESS-5, CW-7, G-10, EGS-10, LVR-5	279.40 [11.000]	127.00 [5.000]	
RS-10, CW-10, ESS-10, LVR-10	376.24 [14.813]	153.99 [6.063]	

CARD PACK



WIREWOUND CARD PACKAGING			
MODEL	QTY./PACK	TEAR OFF QTY.	Resistor placed in slot and held in place with foldover protective paper. Each pack perforated to tear off into four smaller sub packs.
RH-5, NH-5, ERH-5, ENH-5	40	10	
RH-10, NH-10, ERH-10, ENH-10	40	10	
RH-25, NH-25, ERH-25, ENH-25	20	5	
RH-50, NH-50, ERH-50, ENH-50	20	5	

BULK PACK



WIREWOUND BULK PACKAGING Dimensions in mm [inches]							
MODEL	A	B	C	D	E	F	
RS-1/8, RS-1/4, RS-1/2, RS-1M, CW-1/2, G-1, G-2, EGW-1, EGS-2, EGW-2	25.4 [1.000]	25.4 [1.000]	92.1 [3.625]	57.1 [2.250]	95.2 [3.750]	136.5 [5.375]	
RS-1A, RS-1B, CW-1, EGW-3	38.1 [1.500]	38.1 [1.500]	92.1 [3.625]	127 [5.000]	98.4 [3.875]	196.8 [7.750]	
RS-2, RS-2A, CW-2, G-5A, ESS-2A	76.2 [3.000]	57.1 [2.250]	104.7 [4.125]	152.4 [6.000]	184.2 [7.250]	304.8 [12.000]	
RS-2B, RS-2M, CW-2B, G-5, ESS-2B, LVR-3	50.8 [2.000]	50.8 [2.000]	98.4 [3.875]	152.4 [6.000]	184.2 [7.250]	304.8 [12.000]	
RS-2C, CW-2C, G-5C	66.8 [2.625]	63.5 [2.500]	101.6 [4.000]	152.4 [6.000]	184.2 [7.250]	304.8 [12.000]	
RS-5, CW-5, G-10, ESS-5, EGW-10, LVR-5	76.2 [3.000]	88.9 [3.500]	107.9 [4.125]	152.4 [6.000]	184.2 [7.250]	304.8 [12.000]	
RS-7, CW-7	98.4 [3.875]	63.5 [2.500]	117.4 [4.625]	190.5 [7.500]	190.5 [7.500]	393.7 [15.500]	
RS-10, CW-10, ESS-10	101.6 [4.000]	101.6 [4.000]	133.3 [5.250]	247.6 [9.750]	304.8 [12.000]	368.3 [14.500]	

Axial units are uniformly packaged 100 per box with 10 units per immediate container. Standard packaging for quantities of 300 and fewer.

AMMOPACK

Resistors are lead taped, the same as in Reel Pack (see page), then they are placed in a continuous "S" pattern (without paper inner leaf) in an appropriate box.

SKIN PACK

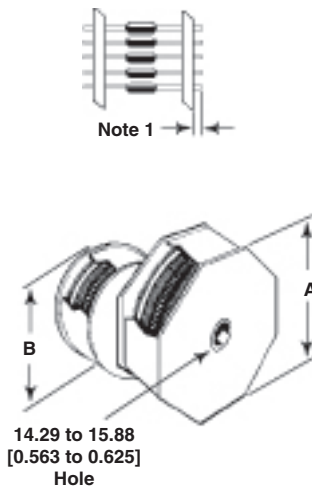
A versatile packaging method. Units are placed on double-faced corrugated board, then skin packed to board with polyfilm. Most resistor types are in multiples of five with insert strips.

MILITARY AND SPECIAL PACKAGING

Military packaging per MIL-P-116, Method 1A8. Blister pack, foam pack and vial pack also available for special requirements.

REEL PACK

VISHAY DALE STANDARD PACKAGING TECHNIQUE



WIREWOUND REEL PACKAGING Dimensions in mm [inches]				
MODEL	MAXIMUM UNITS PER REEL		PITCH ⁽¹⁾	TAPE SPACING ⁽²⁾
	SMALL FLANGE "B" 190.50 [7.500]	LARGE FLANGE "A" 281.78 [11.094]		
RS-1/4, RS-1/2, G-1, G-2, CW-1/2, EGS-1, EGS-2	2000	5000	5.08 [0.200]	52.37 [2.063]
RS-1A, RS-1B, G-3, CW-1, CW-1M, EGS-3	1500	4500	5.08 [0.200]	52.37 [2.063]
NS-1A, LVR-1	1000	4000	5.08 [0.200]	52.37 [2.063]
CA-1, CA-2 ⁽³⁾	1350	2500	5.08 [0.200]	73.02 [2.875]
RS-2B, RS-2M, CW-2B, CW-2M, G-5, ESS-2B	400	1200	10.16 [0.400]	63.5 [2.500]
LVR-3	400	1000	10.16 [0.400]	63.5 [2.500]
RS-2, RS-2C, CW-2C, G-5C	400	1000	10.16 [0.400]	63.5 [2.500]
RS-5, RS-7, CW-5, ESS-5, CW-7, G-10, EGS-10	-	700	10.16 [0.400]	73.02 [2.875]
LVR-5	-	600	10.16 [0.400]	73.02 [2.875]
RS-10, CW-10, ESS-10	-	600	10.16 [0.400]	85.72 [3.375]

Notes

- ⁽¹⁾ Leads will be trimmed to a maximum of 1.59 mm [0.063"] beyond tape edge
- ⁽²⁾ For non standard type and reel requirements, contact our engineering department, see email address at the bottom of the page
- ⁽³⁾ CA-1 and CA-2 will be taped at 0.200 pitch, 73.02 mm [2.875"] tape space without lead trim. CA-4000 and CA-5000 series will be taped at 0.200 pitch, tape space varies by body length