

Aluminum Electrolytic Capacitors, Vishay BCcomponents, SMD

TAPE AND REEL DATA

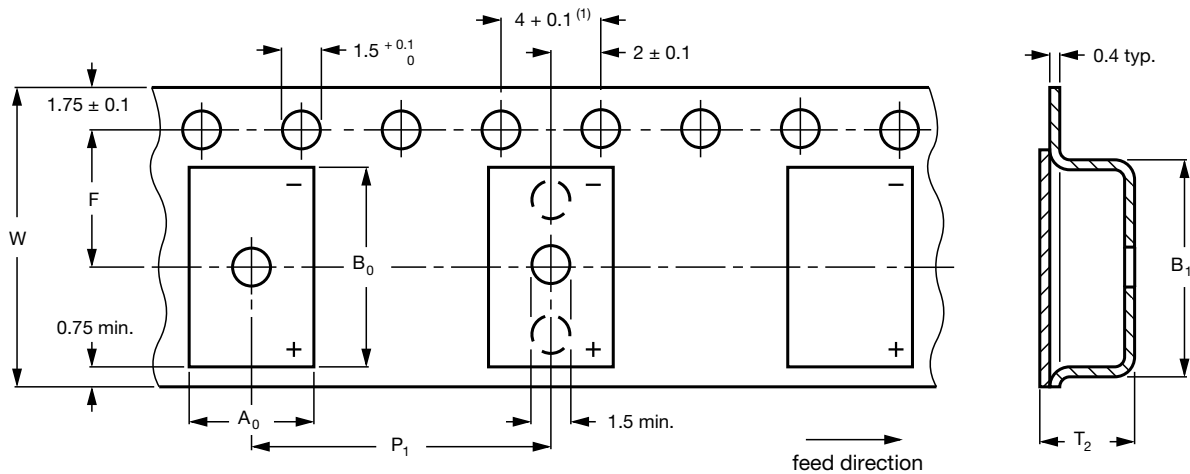
The information contained within this part is valid for the following series:

- 139 CLL

For catalog numbers, refer to the relevant detail specification in this data book.

Vishay BCcomponents SMD aluminum capacitors are available in taped version based on IEC 60286-3.

They are most suitable for use on automatic placement machines and are supplied in blister tape on reel.



Note

(1) Tolerance over any pitches: ± 0.2 mm

Fig. 1 - Blister tape

Table 1

BLISTER TAPE: DIMENSIONS in millimeters AND PACKAGING QUANTITIES			
PARAMETER	139 CLL		TOLERANCE
CASE CODE	2	3	-
CASE SIZE			
$L_{nom.}$	14.3	14.3	-
$W_{nom.}$	6.2	7.6	-
$H_{nom.}$	6.9	8.2	-
W	24	24	± 0.3
T_2	7.7	9.1	max.
F	11.5	11.5	± 0.1
P_1	12	12	± 0.1
A_0	6.5	7.9	± 0.2
B_0	14.8	14.8	± 0.2
B_1	15.5	15.5	max.
Quantity per reel	700	700	-

The information contained within this part is valid for the following series:

- 153 CRV
- 140 CRH
- 150 CRZ / 250 CRZ-V
- 146 CTI / 246 CTI-V
- 160 CLA / 260 CLA-V
- 180 CPS
- 181 CPL

For catalog numbers, refer to the relevant detail specification in this data book.

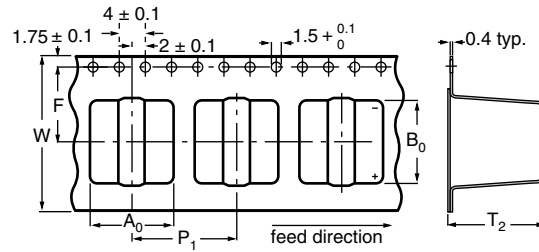


Fig. 2 - Blister tape (0405 to 1216)

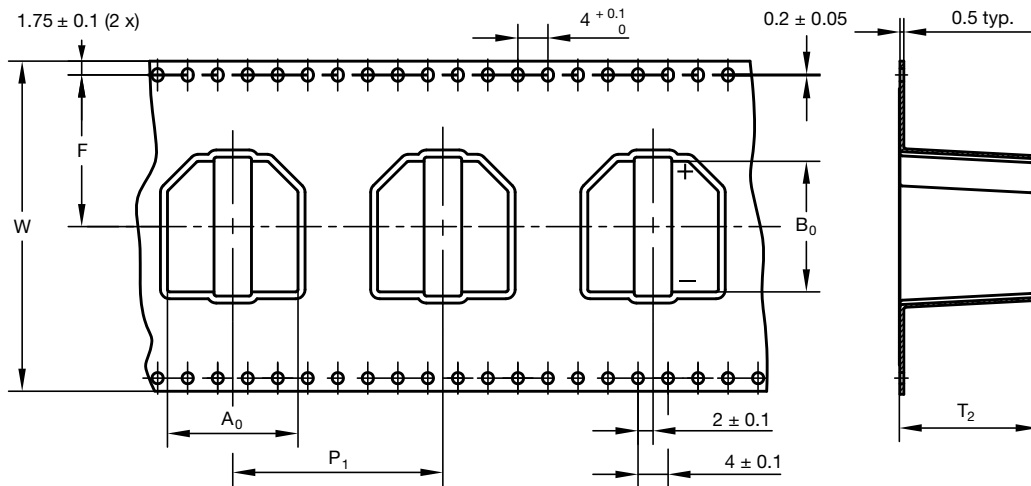


Fig. 3 - Blister tape (1616 to 1821)

Table 2

BLISTER TAPE: DIMENSIONS in millimeters AND PACKAGING QUANTITIES															
PARAMETER	153 CRV; 140 CRH; 150 CRZ; 146 CTI; 160 CLA; 250 CRZ-V; 246 CTI-V; 260 CLA-V														TOLERANCE
CASE CODE	0405	0505	0605	0807	0810	1010	1012	1014	1213	1216	1616	1621	1816	1821	-
CASE SIZE															
L _{nom.}	4.0	5.0	6.3	8.0	8.0	10.0	10.0	10.0	12.5	12.5	16.0	16.0	18.0	18.0	-
W _{nom.}	4.0	5.0	6.3	8.0	8.0	10.0	10.0	10.0	12.5	12.5	16.0	16.0	18.0	18.0	-
H _{nom.}	5.3	5.3	5.3	6.5	10.0	10.0	12.0	14.0	13.0	16.0	16.0	21.0	16.0	21.0	-
W	12	12	16	16	24	24	24	24	24	32	44	44	44	44	± 0.3
T ₂	6.0	6.0	6.0	7.0	11.6	11.6	13.0	15.4	16.2	18.5	18.9	23.4	18.9	23.4	max.
F	5.5	5.5	7.5	7.5	11.5	11.5	11.5	11.5	11.5	14.2	20.2	20.2	20.2	20.2	± 0.1
P ₁	8	12	12	12	16	16	16	16	20	24	28	28	32	32	± 0.1
A ₀	5.0	6.0	7.0	8.7	8.7	10.5	10.5	10.5	13.5	13.5	17.4	17.4	19.4	19.4	± 0.3
B ₀	5.0	6.0	7.0	8.7	8.7	10.5	10.5	10.5	13.5	13.5	17.4	17.4	19.4	19.4	± 0.3
Quantity per reel	2000	1000	1000	1000	500	500	250	250	250	200	150	100	125	100	-

Table 3

BLISTER TAPE: DIMENSIONS in millimeters AND PACKAGING QUANTITIES									
PARAMETER	180 CPS; 181 CPL								TOLERANCE
CASE CODE	0506	0604	0606	0608	0807	0812	1008	1013	-
CASE SIZE									
L _{nom.}	5.3	6.6	6.6	6.6	8.4	8.4	10.4	10.4	-
W _{nom.}	5.3	6.6	6.6	6.6	8.4	8.4	10.4	10.4	-
H _{nom.}	5.7	4.4	5.9	7.7	6.7	12.0	7.7	12.6	-
W	12	16	16	16	16	16	24	24	± 0.3
T ₂	6.2	5.8	6.2	8.3	6.8	13.0	10.0	14.0	± 0.2
F	5.5	7.5	7.5	7.5	7.5	11.5	11.5	11.5	± 0.1
P ₁	12	12	12	12	12	16	16	16	± 0.1
A ₀	5.7	7.0	7.0	7.0	8.7	8.7	10.7	10.7	± 0.2
B ₀	5.7	7.0	7.0	7.0	8.7	8.7	10.7	10.7	± 0.2
Quantity per reel	1000	1000	1000	1000	1000	400	500	400	-

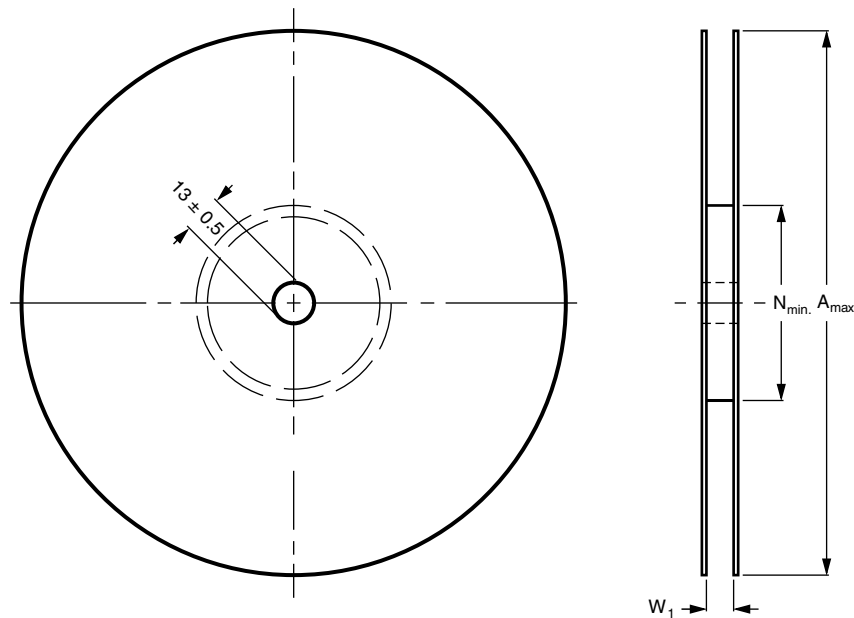


Fig. 4 - Reel for blister tape

Table 4

REEL DIMENSIONS in millimeters					
TAPE WIDTH	085 CS 139 CLL	A _{max.}		N _{min.}	W ₁
		153 CRV; 140 CRH ⁽²⁾ ; 150 CRZ ⁽²⁾ ; 146 CTI ⁽²⁾ ; 160 CLA ⁽²⁾ ; 250 CRZ-V ⁽²⁾ ; 246 CTI-V ⁽²⁾ ; 260 CLA-V ⁽²⁾ ; 180 CPS; 181 CPL			
		CASE SIZE 1012, 1014	CASE SIZE ≤ 1010, ≥ 1213		
12	-	-	380	50	14
16	330	-	380	50	18
24	330	330	330 or 380 ⁽¹⁾	50	26
32	-	-	380	50	34
44	-	-	380	50	46

Notes

- (1) Depending on production location
- (2) Delivered with plastic reel
- General remarks:
 - ESD plastic reel material: polystyrene (PS)
 - Electrostatic resistance according to IEC 61340-5-3:
10⁵ < R_x ≤ 10¹² (applied voltage: 100 V)