

Aluminum Electrolytic / Energy Storage Capacitors, Vishay BCcomponents, Radial

TAPING

BCcomponents radial non-solid aluminum capacitors in sizes up to $\varnothing D = 18$ mm, are available in taped versions corresponding to "IEC 60286-2" or "JIS C 0805" respectively. They are most suitable for use on automatic insertion machines, mounting robots or cutting and forming equipment and are supplied in boxes (ammopacks).

CAUTION

Packages must be handled with care to avoid bent leads

The information contained in this part is valid for the following series with a case $\varnothing D = 10$ mm to 18 mm:

- | | |
|---|---|
| <ul style="list-style-type: none"> • 038 RSU • 048 RML • 136 RVI • 140 RTM • 142 RHS • 146 RTI / 246 RTI-V • 148 RUS • 150 RMI / 250 RMI-V • 152 RMH | <ul style="list-style-type: none"> • 160 RLA / 260 RLA-V • 170 RVZ • 170 RLX • 190 RTL • 220 EDLC • 225 EDLC-R • 230 EDLC-HV • 235 EDLC-HVR |
|---|---|

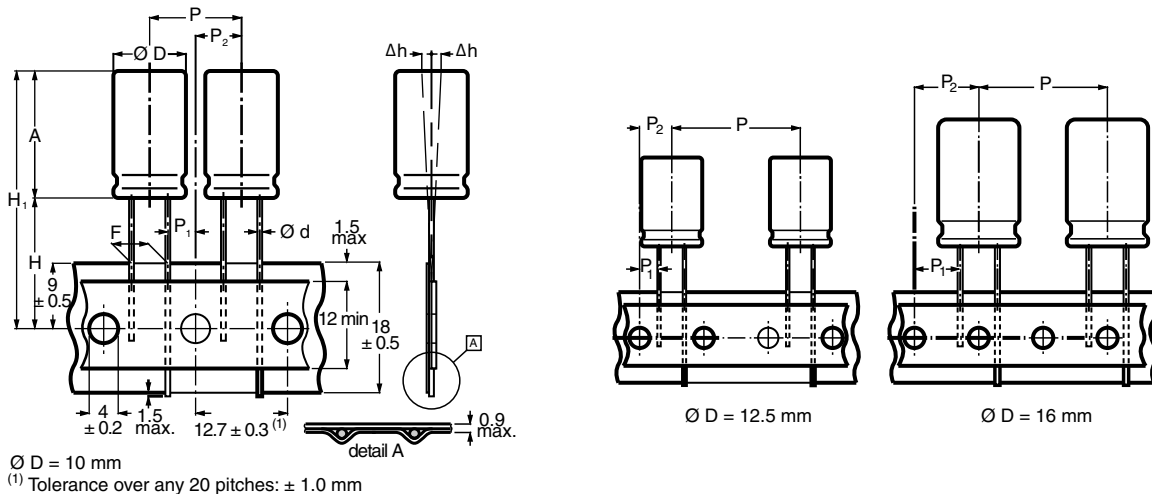


Fig. 1 - Form TFA

Table 1

DIMENSIONS in millimeters													
PARAMETER	NOMINAL CASE SIZE ($\varnothing D \times L$)												TOLERANCE
	10 x 12	10 x 16	10 x 20	12.5 x 20	12.5 x 25	16 x 20	16 x 25	16 x 31	18 x 20	18 x 25	18 x 31	18 x 35	
$\varnothing D$	10.5	10.5	10.5	13.0	13.0	16.5	16.5	16.5	18.5	18.5	18.5	18.5	max.
A	13.5	17.5	22	22	27	22	27	33.5	22	27	33.5	37.5	max.
$\varnothing d$	0.6	0.6	0.6	0.6	0.6	0.8	0.8	0.8	0.8	0.8	0.8	0.8	± 0.05
P	12.7	12.7	12.7	25.4	25.4	25.4	25.4	25.4	25.4	25.4	25.4	25.4	± 1.0
P ₁	3.85	3.85	3.85	3.85	3.85	8.95	8.95	8.95	8.95	8.95	8.95	8.95	± 0.7
P ₂	6.35	6.35	6.35	6.35	6.35	12.7	12.7	12.7	12.7	12.7	12.7	12.7	± 1.3
F	5.0	5.0	5.0	5.0	5.0	7.5	7.5	7.5	7.5	7.5	7.5	7.5	+ 0.8 / - 0.2
Δh	0	0	0	0	0	0	0	0	0	0	0	0	± 3.0
H	18.5	18.5	18.5	18.5	18.5	18.5	18.5	18.5	18.5	18.5	18.5	18.5	± 0.75
H ₁	H ₁ = H + A												
B	54	62	62	62	68	68	68	68	62	68	68	68	max.

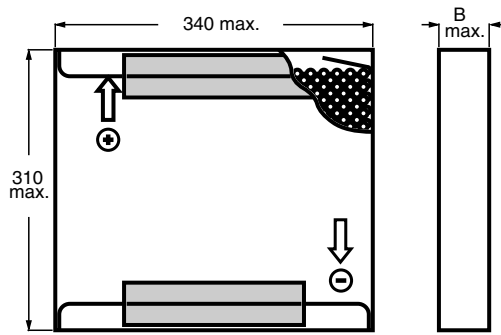


Fig. 2 - Ammopack; **Form TFA**

Note

(1) Ammopack taping (Form TFA). To ensure optimum straightness of the leads and correct position of the components in the folding area of the zig-zag shaped tape, where necessary, one capacitor is omitted at each folding edge

The information contained within this part is valid for the following series with a case $\varnothing D = 4 \text{ mm}$ to 8 mm :

- 038 RSU
- 142 RHS
- 150 RMI

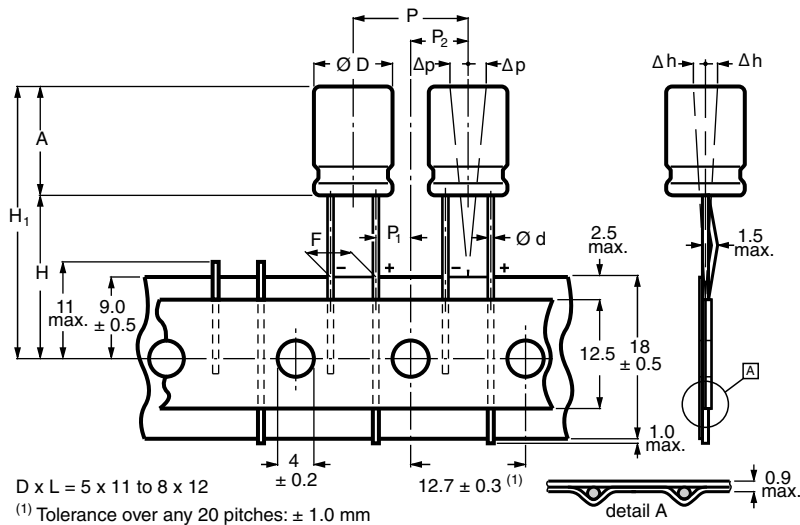


Fig. 3 - **Form TNA**, straight leads

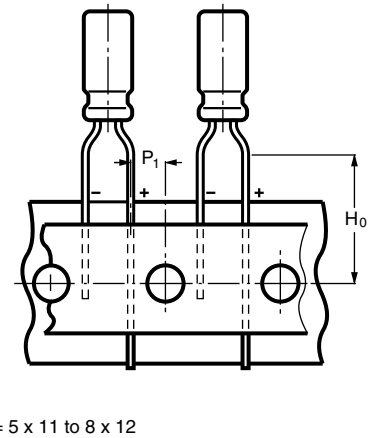


Fig. 4 - **Form TFA**, formed leads

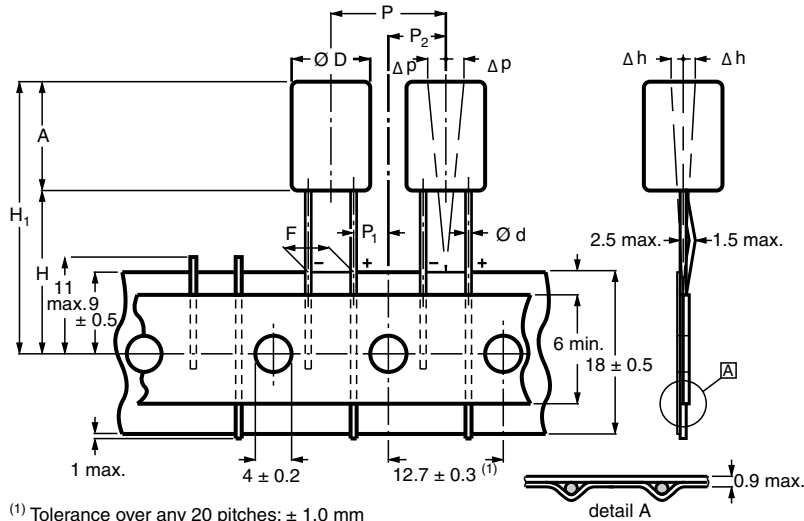
Table 3

DIMENSIONS in millimeters									
PARAMETER	NOMINAL CASE SIZE ($\varnothing D \times L$) in mm								TOLERANCE
	FORM TNA				FORM TFA				
	5 x 11	6.3 x 11	8 x 12	8 x 15	5 x 11	6.3 x 11	8 x 12	8 x 15	
$\varnothing D$	5.5	6.8	8.5	8.5	5.5	6.8	8.5	8.5	max.
A	12.5	12.5	13.0	16.0	12.5	12.5	13.0	16.0	max.
$\varnothing d$	0.5	0.5	0.6	0.6	0.5	0.5	0.6	0.6	± 0.05
P	12.7	12.7	12.7	12.7	12.7	12.7	12.7	12.7	± 1.0
P_1	5.1	5.1	4.6	4.6	3.85	3.85	3.85	3.85	± 0.7
P_2	6.35	6.35	6.35	6.35	6.35	6.35	6.35	6.35	± 1.0
F	2.5	2.5	3.5	3.5	5.0	5.0	5.0	5.0	+ 0.8 / - 0.2
Δh	0	0	0	0	0	0	0	0	± 2.0
Δp	0	0	0	0	0	0	0	0	± 1.3
H	18.5	18.5	18.5	18.5	18.5	18.5	20.0	20.0	± 0.75
H_0	-	-	-	-	16.0	16.0	16.0	16.0	± 0.5
H_1	32.2	32.2	32.2	35.2	32.2	32.2	33.7	36.7	max.

The information contained within this part is valid for the following series:

- 013 RLC
- 036 RSP
- 116 RLL

For catalog numbers, refer to the relevant detail specification.



(1) Tolerance over any 20 pitches: ± 1.0 mm

Fig. 5 - Form TNA and TFA, straight leads

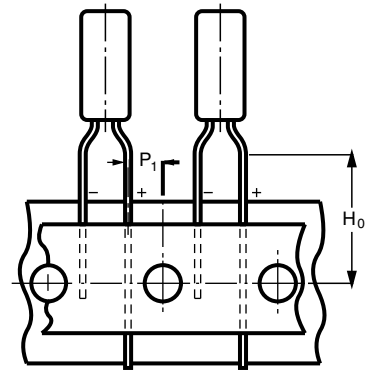


Fig. 6 - Form TFA, formed leads

Table 2

DIMENSIONS in millimeters				
PARAMETER	NOMINAL CASE SIZE ($\varnothing D \times L$)			TOLERANCE
	FORM TNA: F = 2.5	FORM TFA: F = 5		
	5 x 11 (straight leads)	5 x 11 (formed leads)	8.2 x 11 (straight leads)	
$\varnothing D$	5.5	5.5	8.7	max.
A	12	12	12	max.
$\varnothing d$	0.5	0.5	0.6	± 0.05
P	12.7	12.7	12.7	± 1.0
P ₁	5.1	3.85	3.85	± 0.7
P ₂	6.35	6.35	6.35	± 0.7
F	2.5	5.0	5.0	+ 0.6 / - 0.1
Δh	0	0	0	± 2.0
Δp	0	0	0	± 1.3
H	18	18	18	+ 1.5 / - 0
H ₀	-	16	-	± 0.5
H ₁	32	32	32	max.

Table 3

QUANTITIES PER PACKAGING UNIT					
NOMINAL CASE SIZE (Ø D x L) (mm)	CASE CODE	BULK PER BOX		TAPED AMMOPACK ⁽¹⁾	
		FORM CA	FORM CB	FORM TFA	FORM TNA
5 x 11	11	1000	1000	2000	2000
8.2 x 11	13	1000	1000	1000	1000

Note

⁽¹⁾ Ammopack taping (form TFA) case Ø D x L = 8.2 mm x 11 mm. To ensure optimum straightness of the leads and correct position of the capacitors in the folding area of the zig-zag shaped tape, every 25th capacitor is omitted.

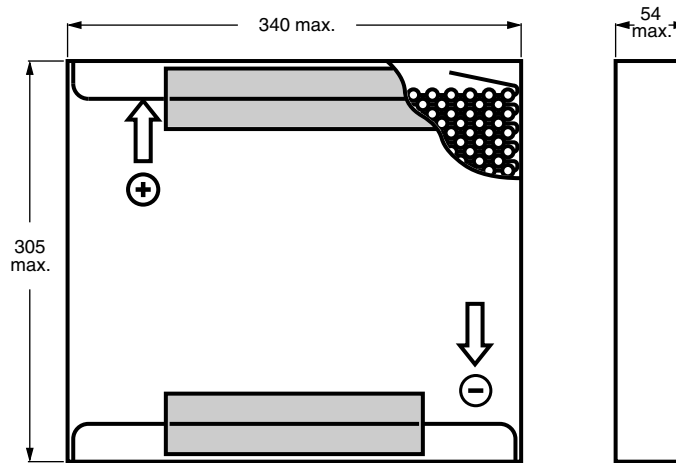


Fig. 7 - Ammopack; Forms TFA and TNA