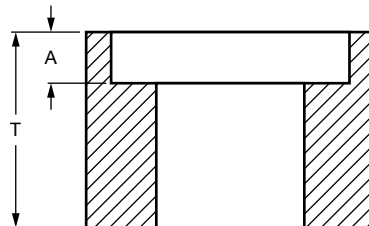
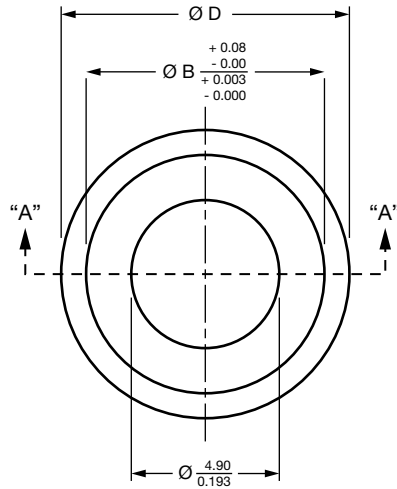




Aluminum Electrolytic Capacitors - Specifications for Bushing (Vishay Sprague)

DIMENSIONS AND AVAILABLE FORM



Section "A" - "A"

DIMENSIONS								
PART NUMBER	MILLIMETERS				INCHES			
	A	B	D	T	A	B	D	T
75-327	1.65	7.90	9.53	6.35	0.065	0.311	0.375	0.250
75-327A	1.65	7.90	9.53	2.65	0.065	0.311	0.375	0.104

WHERE USED		
PRODUCT FAMILY	DOCUMENT NUMBER	TO VIEW THE PRODUCT, PLEASE GO TO THE FOLLOWING LINKS:
36D/DE/DX	42066	www.vishay.com/doc?42066
36DA	42067	www.vishay.com/doc?42067
36DY	42065	www.vishay.com/doc?42065